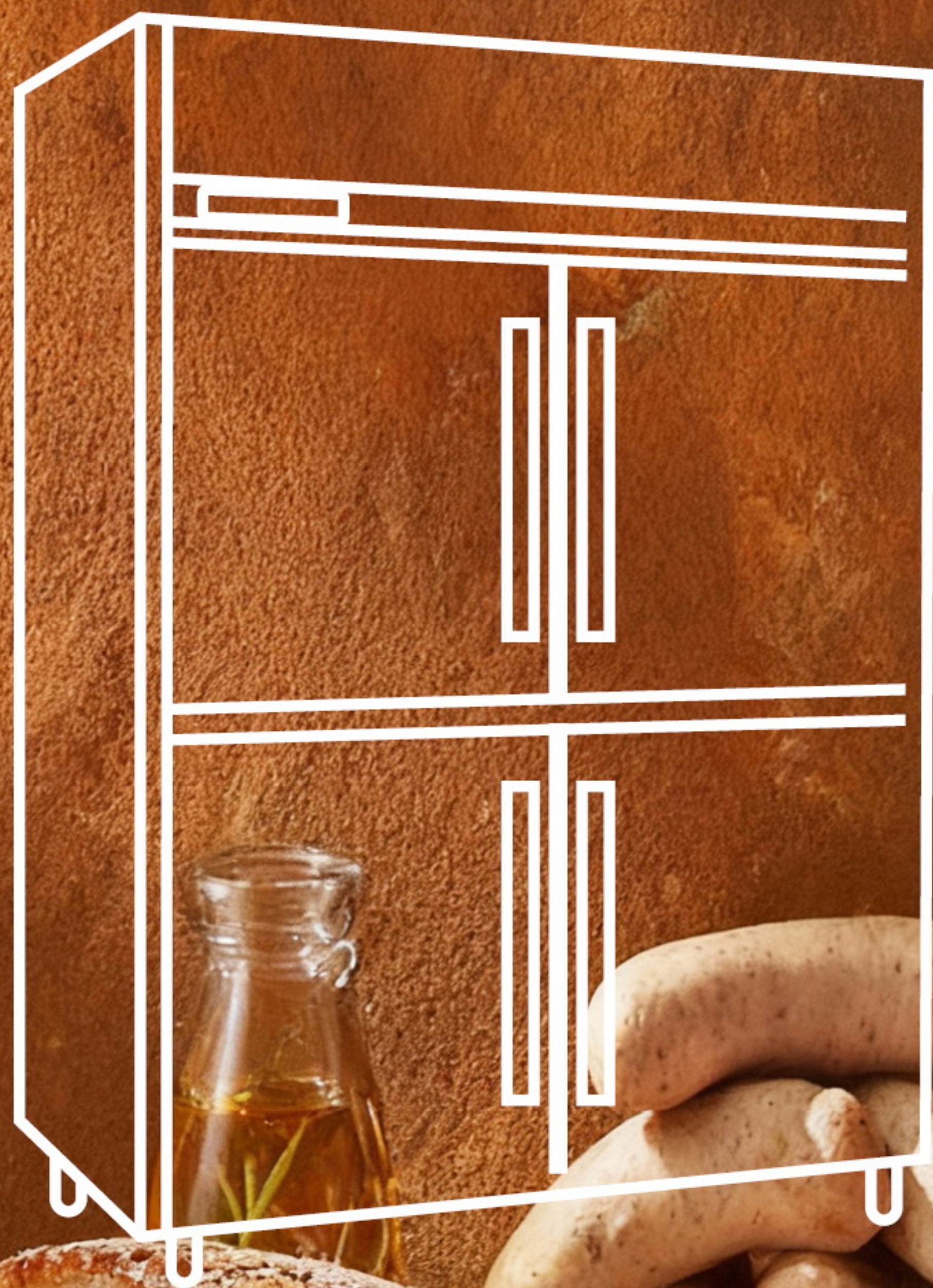




One Stop Supply Commercial
Refrigeration & Medical
Refrigeration



S/S Kitchen Refrigeration

Product Catalogue



Stainless Steel Ref. Cabinet



S/S Upright Chiller

GN Series

GN 2/1

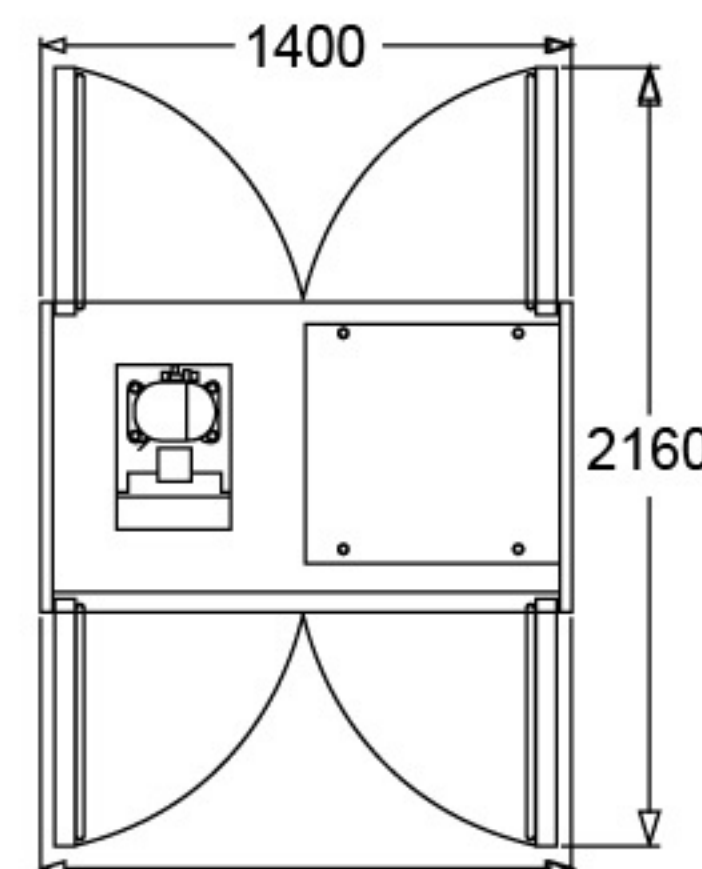


Stainless steel refrigerated cabinet dengan dua pilihan (chiller dan freezer) yang disertai beberapa variasi jumlah pintu. Juga tersedia dengan opsi pass through door (bisa diakses dari kedua sisi). Cocok untuk ditempatkan di dapur komersial yang dapat beroperasi hingga suhu 43°C.

Features

- Full-body stainless steel
- Digital temperature control
- Automatic back door
- Removeable drop-in air cooling system
- Automatic defrost
- Poly-coated evaporator
- Round corner design inside refrigerator (easy-to-clean & hygiene)
- Adjustable feet
- GN design 2/1
- Heating wire for door frame/gasket
- Electric expansion valve

PASS TROUGH



M-RW8U1HH



M-RW8U2HHHH
M-RW8U2HHHH-P



TYPE	DIMENSION (cm)			VOL. (L)	WATT (220V/1P)	TEMP.	SHELF (pcs)	WEIGHT (kg) Nett Gross	REFR.
	L	W	H						
M-RW8U1HH	73,7	81,5	198	550	430		3	137,5 / 145,5	R290
M-RW8U2HHHH	140	81,5	198	1170	460	-2 ~ +8°C	6	199 / 214	R290
M-RW8U2HHHH-P	140	81,5	198	1170	590		6	208 / 259	R134

S/S Upright Freezer

Features

- Full-body stainless steel
- Digital temperature control
- Automatic back door
- Removeable drop-in air cooling system
- Automatic defrost
- Poly-coated evaporator
- Round corner design inside refrigerator (easy-to-clean & hygiene)
- Adjustable feet
- GN design 2/1
- Heating wire for door frame/gasket
- Electric expansion valve

GN Series

GN 2/1



L-RW8U1HH



L-RW8U2HHHH

TYPE	DIMENSION (cm)			VOL. (L)	WATT (220V/1P)	TEMP.	SHELF (pcs)	WEIGHT (kg) Nett Gross	REFR.
	L	W	H						
L-RW8U1HH	73,7	81,5	198	550	650		3	137,5 / 145,5	R290
L-RW8U2HHHH	140	81,5	198	1170	800	-15 ~ -22°C	6	199 / 214	R290

Stainless Steel Under Counter

S/S Back Bar Bottle Cooler

Stainless steel refrigerated cabinet untuk display botol dan minuman yang biasa diletakkan di bagian belakang bar. Dirancang khusus untuk dapat digunakan pada peletakkan yang rapat ke dinding (indoor).

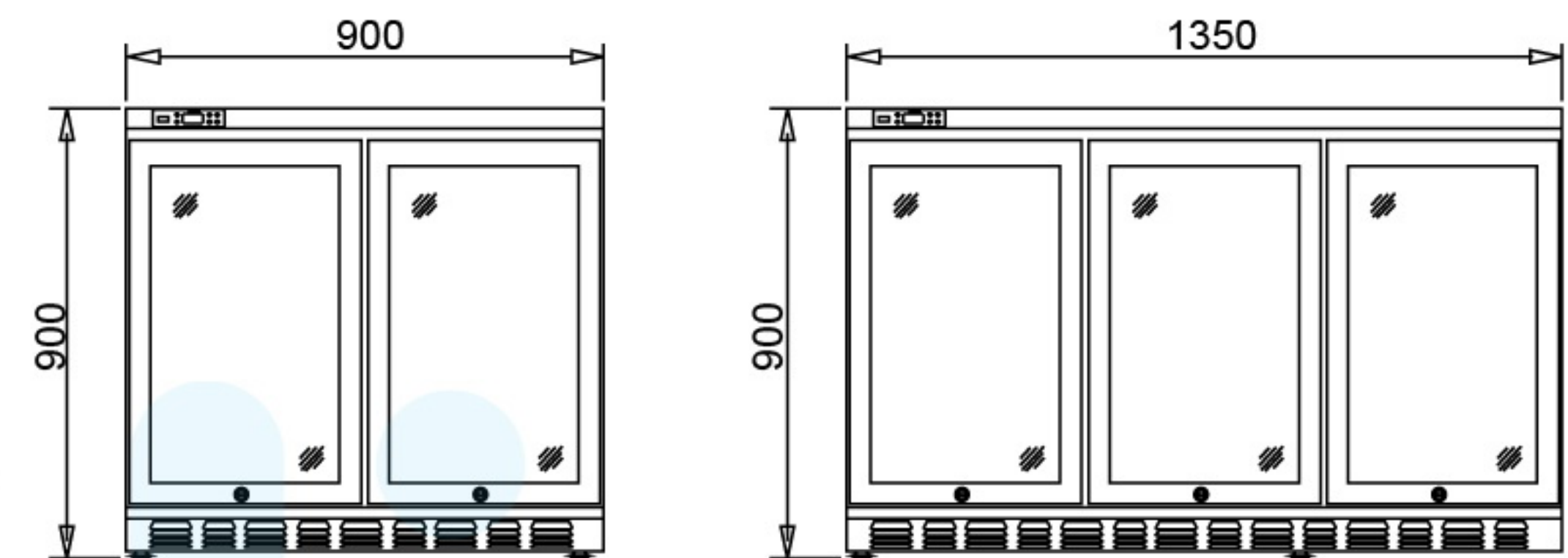
Features

- Front hot air circulation, suitable for placement against the wall
- Digital thermostat
- Interior light
- Stainless steel body



BB-W5T2

BB-W5T3



TYPE	DIMENSION (cm)			BOTTLE CAPACITY (330 ml)	VOL. (L)	WATT (220V/1P)	WEIGHT (kg) Nett Gross	REFR.
	L	W	H					
BB-W5T2	90	53	90	105 bottles & 65 cans	180	260	90 / 120	R134a
BB-W5T3	135	53	90	167 bottles & 105 cans	277	440	110 / 145	

Glass Door S/S Under Counter

Stainless steel refrigerated cabinet berbentuk meja untuk menyimpan minuman kemasan, sayuran, buah, susu, dll yang biasa diletakkan pada area kerja bar.

GN Series

GN 1/1



Features

- GN 1/1 design
- Full stainless steel exterior & interior
- Removeable cassette refrigeration system
- Embraco/Secop compressor
- Digital temperature control
- Electronic expansion valve
- HFC245 insulation foam, ozone friendly
- Auto hot glass defrost with self-evaporated system
- Poly-coated evaporator to prevent corrosion & ensure food safety
- Removeable door heater & gasket for easy maintenance
- Removeable S/S bracket & tray slide
- Inner chamber with round corner design for easy cleaning
- Door lock, adjustable feed & poly carbonate wire shelf, door heater, LED lamp.



M-RW6T1D



M-RW6T2DD



M-RW6T3DDD



M-RW6T4DDDD

TYPE	DIMENSION (cm)			VOL. (L)	WATT (220V/50Hz)	TEMP.	SHELF (set)	WEIGHT (kg) Nett Gross	REFR.
	L	W	H						
M-RW6T1D	95,5	70	85	123	440	-2 ~ +8°C	1	89 / 100	R134a
M-RW6T2DD	142	70	85	325	350		2	118 / 130	R290
M-RW6T3DDD	188,5	70	85	420	480		3	148 / 163	R134a
M-RW6T4DDDD	235	70	85	590	465		4	220 / 241	R290

Stainless Steel Under Counter



S/S Under Counter Chiller

Stainless steel refrigerated cabinet berbentuk meja dengan suhu chiller untuk menyimpan daging, sayuran, buah, susu, minuman kemasan, dll yang biasa diletakkan pada area dapur.

GN Series

GN 1/1



Features

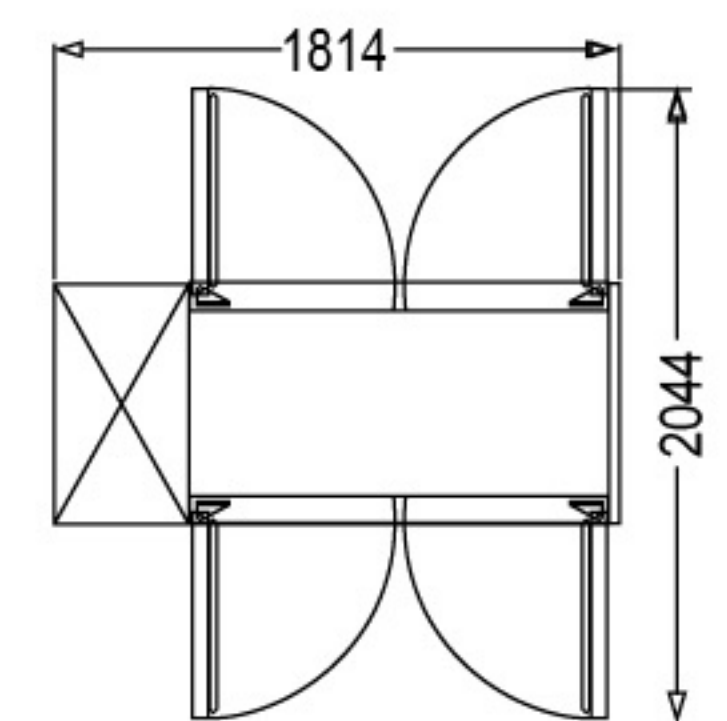
- GN 1/1 design
- Full stainless-steel exterior & interior
- Removable cassette refrigeration system
- Embraco / Secop compressor
- Digital temperature control
- Electronic expansion valve
- HFC245 insulation foam, Ozone friendly
- Auto hot gas defrost w/ self-evaporated system
- Poly coated evaporator to prevent corrosion & ensure food safety
- Removable door heater & gasket for easy maintenance
- Removable S/S bracket & tray slide
- Inner chamber with round corner design for easy cleaning
- Door lock, adjustable feet & poly coated wire shelf



M-RW6T2HH
M-RW7T2HH-P (PASS THROUGH)

M-RW6T3HHH

PASS TROUGH



M-RW6T4HHHH

TYPE	DIMENSION (cm)			VOL. (L)	WATT (220V/50Hz)	TEMP.	SHELF (pcs)	WEIGHT (kg) Nett Gross	REFR.
	L	W	H						
M-RW6T2HH	142	70	85	325	350	-2 ~ +8°C	2	108,5 / 120	R290
M-RW7T2HH-P	181,4	76	85	416	510		2	146	R134a
M-RW6T3HHH	188,5	70	85	420	465		3	153 / 168	R290
M-RW6T4HHHH	235	70	85	590	465		4	178 / 198	R290

S/S Under Counter Freezer

Stainless steel refrigerated cabinet berbentuk meja dengan suhu freezer untuk menyimpan bahan makanan yang biasa diletakkan pada area dapur.

GN Series

GN 1/1



Features

- GN 1/1 design
- Full stainless-steel exterior & interior
- Removable cassette refrigeration system
- Embraco / Secop compressor
- Digital temperature control
- Electronic expansion valve
- HFC245 insulation foam, Ozone friendly
- Auto hot gas defrost w/ self-evaporated system
- Poly coated evaporator to prevent corrosion & ensure food safety
- Removable door heater & gasket for easy maintenance
- Removable S/S bracket & tray slide
- Inner chamber with round corner design for easy cleaning
- Door lock, adjustable feet & poly coated wire shelf



L-RW6T2HH

L-RW6T3HHH



L-RW6T4HHHH

TYPE	DIMENSION (cm)			VOL. (L)	WATT (220V/50Hz)	TEMP.	SHELF (pcs)	WEIGHT (kg) Nett Gross	REFR.
	L	W	H						
L-RW6T2HH	142	70	85	325	540	-15 ~ -20°C	2	108,5 / 120	R290
L-RW6T3HHH	188,5	70	85	420	670		3	137,5 / 153	R290
L-RW6T4HHHH	235	70	85	590	670		4	178 / 198	R290

Stainless Steel Ref. Cabinet



S/S Upright Combi 4 Door

GN Series

GN 2/1



Stainless steel refrigerated cabinet yang terdiri dari chiller dan freezer dengan sistem pendinginan tanpa bunga es.



D-RW8U2HHHH

Features

- GN 2/1 design
- Poly coated evaporator to prevent corrosion & ensure food safety
- Removable door frame heater & gasket for easy maintenance
- Removable S/S bracket & tray slide
- Inner chamber with round corner design for easy cleaning
- Door lock, castor & poly coated wire shelf
- Full stainless-steel exterior & interior
- 2 independent refrigeration system
- Embraco / Secop Compressor
- Digital temperature control
- Electronic expansion valve
- Ozone friendly insulation foam
- Auto hot gas defrost with self-evaporated system

TYPE	DIMENSION (cm)			VOL. (L)	WATT (220V/50Hz)	TEMP.	SHELF (pcs)	WEIGHT (kg) Net Gross	REFR.
	L	W	H						
	D-RW8U2HHHH	140	81,5						

S/S Glass Door Upright Chiller

GN Series

GN 2/1



M-RW8U1G



M-RW8U2GG

Features

- GN 2/1 design
- Poly coated evaporator to prevent corrosion & ensure food safety
- Removable door frame heater & gasket for easy maintenance
- Removable S/S bracket & tray slide
- Inner chamber with round corner design for easy cleaning
- Door lock, castor & poly coated wire shelf
- Full stainless-steel exterior & interior
- Removable drop-in refrigeration system
- Embraco / Secop Compressor
- Digital temperature control
- Electronic expansion valve
- Ozone friendly insulation foam
- Auto hot gas defrost with self-evaporated system
- Glass heater to prevent condensation
- LED lamp

TYPE	DIMENSION (cm)			VOL. (L)	WATT (220V/50Hz)	TEMP.	SHELF (set)	WEIGHT (kg) Nett Gross	REFR.
	L	W	H						
M-RW8U1G	73,7	81,5	198	550	490	-2 ~ +8°C	3	144 / 152	R290
M-RW8U2GG	140	81,5	198	1170	590		6	211 / 226	

S/S Commercial Refrigerated Cabinet

Upright Chiller

Kabinet untuk menyimpan produk buah, sayuran susu, dll. Dapat digunakan untuk dapur hotel, katering, restaurant, kantin dsb.

ASIAN SERIES

SUS 304



Features

- Material exterior & interior S/s 304
- Fan cooling system
- Digital controller Dixell
- Self-closing door
- Built-in lock

TYPE	DIMENSION (cm)			VOL. (L)	WATT (220V//1P/50Hz)	TEMP.	SHELF (set)	NW/GW (kg)	REFR.
	L	W	H						
URC-550-2DX	63	70+5,5	195	415	360	-2 ~ +10°C	3	110 / 130	R290
URC-1200-4DX	122	70+5,5	195	854	490	-2 ~ +10°C	6	150 / 172	R290
URC-1800-6DX	181	70+5,5	195	1311	850	-2 ~ +10°C	9	208 / 238	R290
URFC-1200-4DX	122	70+5,5	195	398+398	850	+2 / -22°C	6	175 / 197	R290

Upright Freezer

Kabinet untuk menyimpan produk yang sudah beku seperti daging beku, produk hasil laut, nugget, bakso, french fries, dll. Untuk digunakan pada dapur hotel, katering, restaurant, kantin, dsb.



Features

- Material exterior & interior S/s 304
- Fan cooling system
- Digital controller Dixell
- Self-closing door
- Built-in lock

TYPE	DIMENSION (cm)			VOL. (L)	WATT (220V//1P/50Hz)	TEMP.	SHELF (set)	NW/GW (kg)	REFR.
	L	W	H						
URF-550-2DX	63	70+5,5	195	415	400		3	110 / 130	R290
URF-1200-4DX	122	70+5,5	195	854	800	-18 ~ -22°C	6	150 / 172	R290
URF-1800-6DX	181	70+5,5	195	1311	950		9	208 / 238	R290

S/S Undercounter Chiller-Freezer



Chiller

Kabinet untuk menyimpan produk buah, sayuran susu, dll. digunakan pada dapur hotel, katering, restaurant, kantin dsb.

ASIAN SUS 304 SERIES



- Features
- Material exterior & interior S/s 304
 - Fan cooling system
 - Digital controller Dixell
 - Self-closing door
 - Built-in lock

TYPE	DIMENSION (cm)			VOL. (L)	WATT (220V/1P/50Hz)	TEMP.	NW/GW (kg)	REFRIG
	L	W	H					
UCC-120-2DX	120	70	85	230	450	-2 ~ +10°C	84 / 96	R290
UCC-150-2DX	150	70	85	328	470		93 / 105	R290
UCC-180-3DX	180	70	85	441	470		102 / 116	R290
UCC-200-4DX	200	70	85	509	520		117 / 133	R290

www.balicoolers.com

Freezer

Kabinet untuk menyimpan produk yang sudah beku, seperti: Daging beku, produk hasil laut, nugget, bakso, french fries, dll. digunakan pada dapur hotel, katering, restaurant, kantin dsb.



- Features
- Material exterior & interior S/s 304
 - Fan cooling system
 - Digital controller Dixell
 - Self-closing door
 - Built-in lock

TYPE	DIMENSION (cm)			VOL. (L)	WATT (220V/1P/50Hz)	TEMP.	NW/GW (kg)	REFR.
	L	W	H					
UCF-150-2DX	150	70	85	328	600	-18 ~ -22°C	83 / 95	R290
UCF-180-3DX	180	70	85	441	650		90 / 104	

www.balicoolers.com

S/S Under Counter Chiller Drawer Series



Stainless steel refrigerated cabinet berbentuk meja yang dilengkapi dengan laci geser untuk mempermudah akses pengambilan dan pengaturan barang.

GN Series

GN 1/1



Features

- GN 1/1 design
- Full stainless-steel exterior & interior
- Removable cassette refrigeration system
- Embraco / Secop compressor
- Digital temperature control
- Electronic expansion valve
- HFC245 insulation foam, ozone friendly
- Auto hot gas defrost w/ self-evaporated system
- Poly coated evaporator to prevent corrosion & ensure food safety
- Removable door heater & gasket for easy maintenance
- Inner chamber with round corner design for easy cleaning
- Adjustable feet



M-RW6T2NN



M-RW6T3NNN

TYPE	DIMENSION (cm)			VOL. (L)	WATT (220V/50Hz)	TEMP. -2 ~ +8°C	SHELF (pcs)	WEIGHT (kg) Nett Gross	REFR.
	L	W	H						
M-RW6T2NN	142	70	85	325	460		4	128 / 140	R134a
M-RW6T3NNN	188,5	70	85	420	480		6	186 / 201	

S/S Ice Table

Kabinet Open Display ini dirancang khusus untuk memajang aneka minuman, salad buah, dan sayuran. Dilengkapi fitur Thermostat digital, pengguna dapat dengan mudah mengatur suhu sesuai kebutuhan. Sistem pendinginan statis, sementara kaca samping dan bodi dari stainless steel menambah kesan mewah. LED Lighting dan efek fog (kabut) pada es batu yang menjadi alas menjadi daya tarik produk yang didisplay.



MKB-12



MKB-15

MKB-18

Features

- Thermostat digital, more comfortable to use
- Static cooling system
- Stainless steel body
- LED light and fog, increase the display effect
- Unique air duct design
- The cooling system can be pulled out to maintenance
- Compressor : Huayi

TYPE	DIMENSION (cm)			VOLUME (L)	WATT (220V/1P/50Hz)	TEMP. (°C)	REFRIG.	NW/GW (kg)
	L	W	H					
MKB-12	120	55	99	186	330	-2 ~ 0	R134a/220g	85 / 92
MKB-15	150	55	99	202	470	-2 ~ 0	R134a/250g	90 / 100
MKB-18	180	55	99	218	550	-2 ~ 0	R134a/250g	114 / 110

S/S Undercounter Chiller for Salads & Pizza



Stainless steel refrigerated cabinet berbentuk meja dengan tambahan kompartemen atas untuk meletakkan berbagai variasi topping dan kabinet bagian bawah yang bisa digunakan untuk menyimpan daging, sayuran, buah, susu, minuman kemasan, dll.



Features

- Stainless steel body
- Digital temperature control
- Removable cassette air cooling system
- Automatic defrost
- Poly coated evaporator
- Round corner design inside refrigerator (easy to clean & hygiene)
- Adjustable feet
- Include GN Pan 1/3-4 +
- Stainless steel cover

TYPE	DIMENSION (cm)			GN PAN (GN 1/3-4)	VOL. (L)	WATT (220V/1P)	TEMP.	WEIGHT (kg)		REFR.
	L	W	H					Nett	Gross	
PW10	115,2	76	105	5	195	420	+2 ~ +8°C	122 / 190		R134a
PW20	181,5	76	105	9	416	450		165 / 246		

Features

- Stainless steel body S/s 304
- Digital temperature "Dixell"
- Static cooling with fan
- Include GN pan (S/s 304)



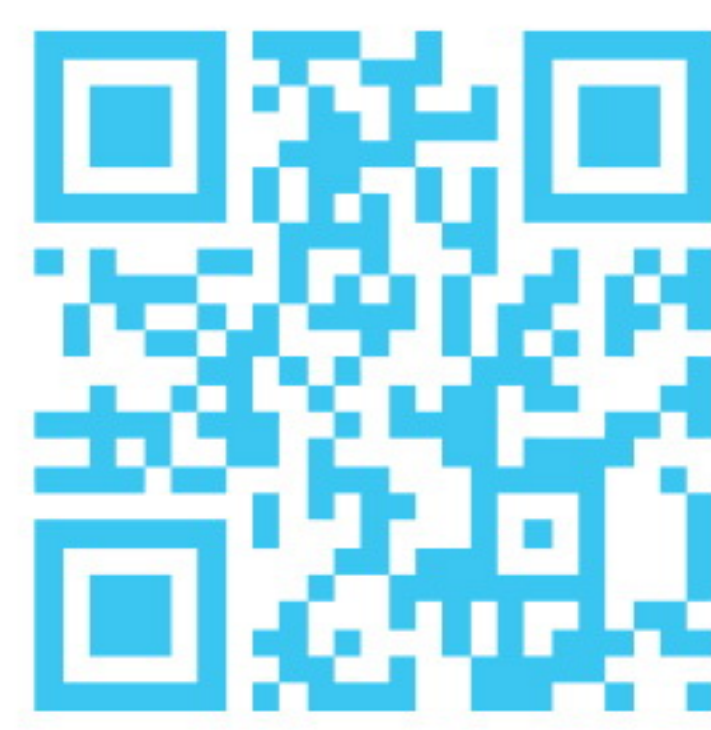
Features

- Stainless steel body
- Digital temperature control
- Push-pull refrigerant unit
- Draining system
- Self-closing door
- Wide round edge and cornes
- GN 1/1 container
- Adjustable feet



TYPE	DIMENSION (cm)			GN PAN	VOL. (L)	WATT (220V/50Hz/1P)	TEMP. (°C)	WEIGHT (kg)		REFR.
	L	W	H							
SC-03-2DX	90	70	87,6	2 x GN1/1-4 3 x GN1/6-4	240	170	0 ~ +10	69 / 80		R600a
SC-04-3DX	136,5	70	87,6	4 x GN1/1-4	368	240	0 ~ +10	115 / 130		R290
SC-03-2D	104,5	70	85	3 x GN1/1-4	310	270	0 ~ +10	86		R134a

S/s Meat Ager Showcase



Humidity range : 30 ~ 80%

Kabinet untuk proses Aging daging segar, dengan tujuan meningkatkan rasa dan tekstur daging (lunak). Proses aging dapat dilakukan dalam beberapa hari hingga mingguan sehingga proses pelepasan enzim dari daging terjadi secara alami.



Features

- UV-C sterilization light
- Digital controller
- Material : Outer cabinet 403 S/s, Inner cabinet HIPS
- Fan cooling system
- Internal LED light
- Hanger+hook, grid shelves
- Activated carbon filter
- Lock, adjustable feet

Features

- UV-C sterilizer
- Activated carbon ventilation system
- Ventilated cooling
- Temperature & humidity controller
- No frost system
- Adjustable shelf
- Double tempered glass
- Stainless steel body



RTB-480K

Include: 2 hanger, 4 hook, 3 shelf, salt + tray



RTB-320B

Include: 1 hanger, 2 hook, 2 shelf, salt +tray



Note :

- Untuk menghasilkan proses aging terbaik, daging yang digunakan adalah daging segar (fresh meat), atau bisa juga daging yang sudah didinginkan (chilled) dengan batas waktu maksimal 30 hari dari tanggal pemotongan.
- Tidak disarankan menggunakan daging beku yang sudah melalui proses thawing.
- Penghitungan waktu Aging adalah dimulai dari tanggal pemotongan hewan, sampai proses Aging selesai.

TYPE	DIMENSION (cm)			CAPACITY (L)	WATT (220V/50Hz/1P)	REFRIG.	TEMP (° C)	SHELF (set)	WEIGHT (kg)
	L	W	H						
RTB-320B	70	81	126,2	320	280	R290	+2 ~ +8	2	105
RTB-480K	70	80	165	444	160	R600a	+1 ~ +4	3	102/122



S/s Refrigerated Cabinet



Roll-in S/S Upright Chiller/Freezer

GN 2/1



Kabinet pendingin yang dirancang untuk mempermudah memasukkan / mengeluarkan seluruh produk secara bersamaan sehingga menghemat waktu operasional. Sudah termasuk Trolley GN ukuran 2/1.

Tidak termasuk GN PAN



M-RW9U1F-T/ L-RW9U1F-T



M-RW9U2FF-T/ L-RW9U2FF-T

TYPE	DIMENSION (cm)			VOL. (L)	WATT (220V/50Hz)	TEMP.	TROLLEY	WEIGHT (kg) Nett Gross	REFR.
	L	W	H						
M-RW9U1F-T	90,5	98,2	246	1195	520	-2 ~ +4°C	1	228,5 / 283,5	R134a
L-RW9U1F-T	90,5	98,2	246	1195	750	-18 ~ -22°C	1	228,5 / 283,5	R404a
M-RW9U2FF-T	185	98,2	246	2710	665	-2 ~ +4°C	2	372 / 477,8	R134a
L-RW9U2FF-T	185	98,2	246	2710	825	-18 ~ -22°C	2	372 / 477,8	R404a

S/S Dough Retarder Cabinet

Kabinet pendingin ini dirancang untuk menghentikan proses pengembangan pada adonan roti, dipergunakan sebagai stok pada jam-jam sibuk.



Features

- Digital controller
- External LED lamp
- Strong magnetic gasket
- Castor with brake
- Monoblock cooling system
- Extra-thick insulation
- 15 guide for pastry pan 60x40
- Round edge & corner
- Lock & key

Tidak termasuk loyang



DRC-550-1D



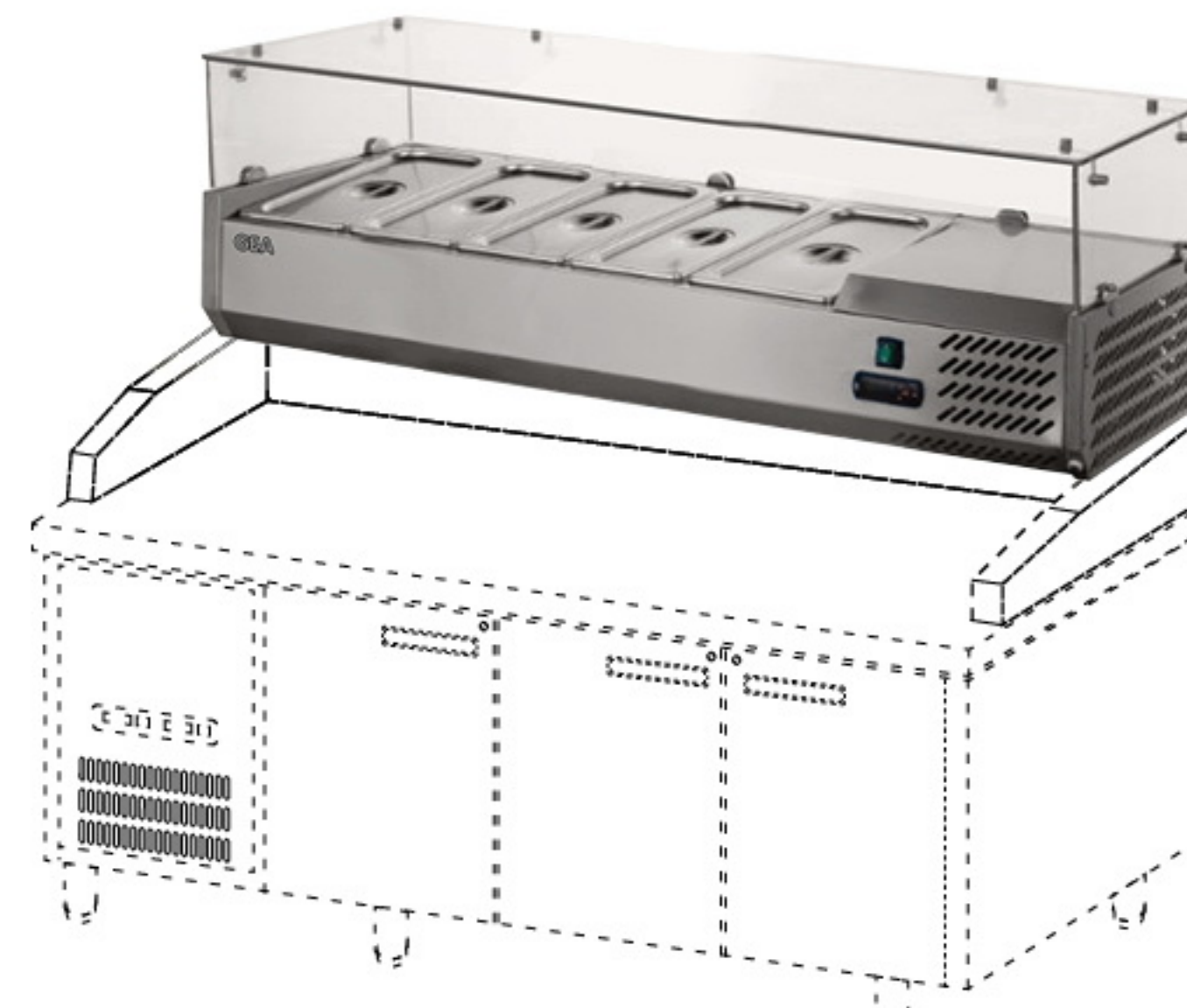
TYPE	DIMENSION (cm)			VOL. (L)	WATT (220V/1P/50Hz)	TEMP.	WEIGHT (kg)	REFRIG.
	L	W	H					
DRC-550-1D	70	82	205	550	350 W	-2 ~ +10°C	112	R134a

S/S Counter Top Salad Case

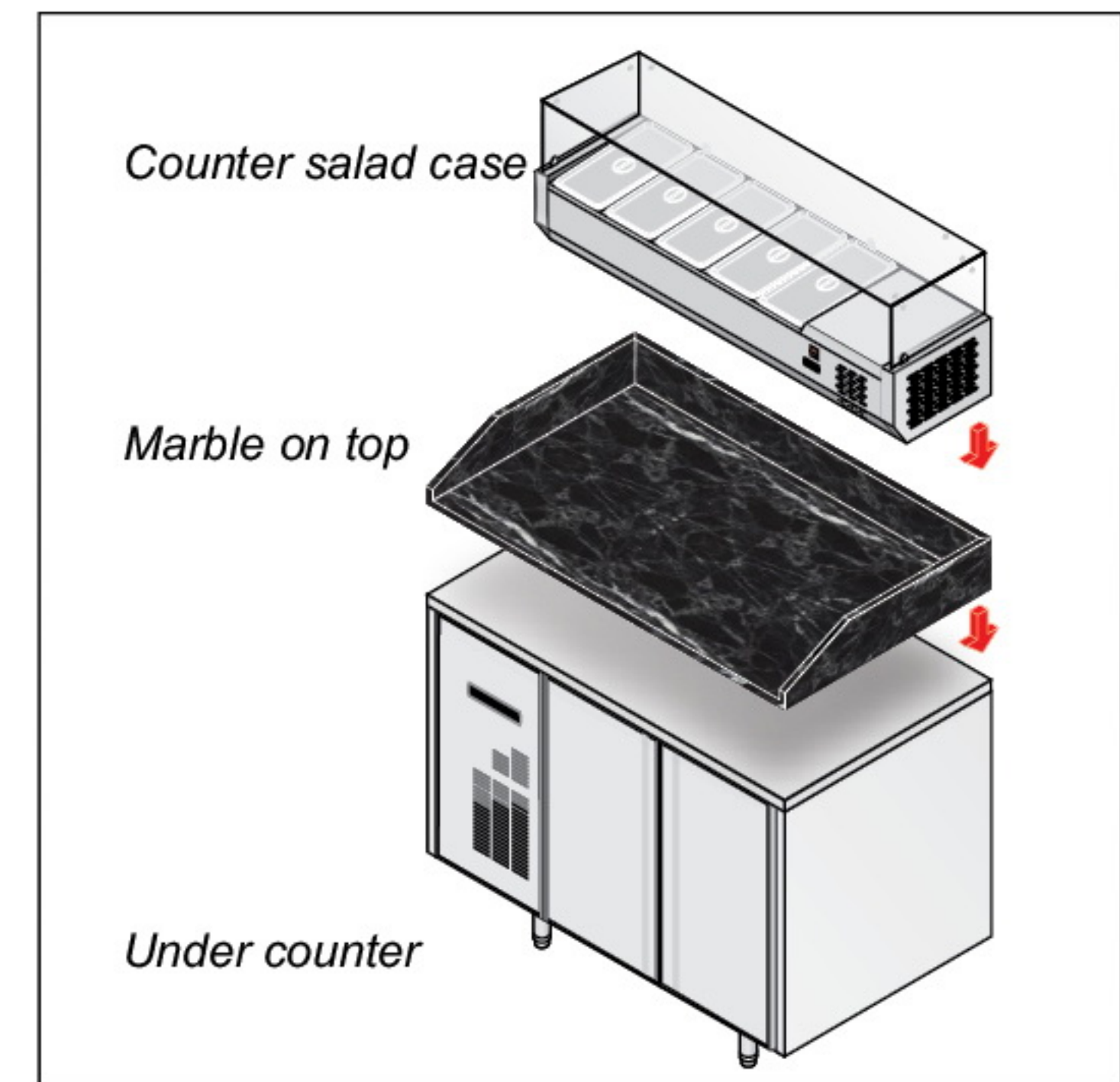
Kabinet pendingin bodi terbuat dari stainless steel yang biasanya diletakkan di atas Under Counter untuk salad dan topping dan tidak perlu melubangi meja kerja Under Counter.

Features

- Digital controller
- Stainless steel body
- Static cooling
- High density insulation
- Include GN Pan & cover
- "Donper" compressor
- Power switch



Contoh Aplikasi



STC-120X



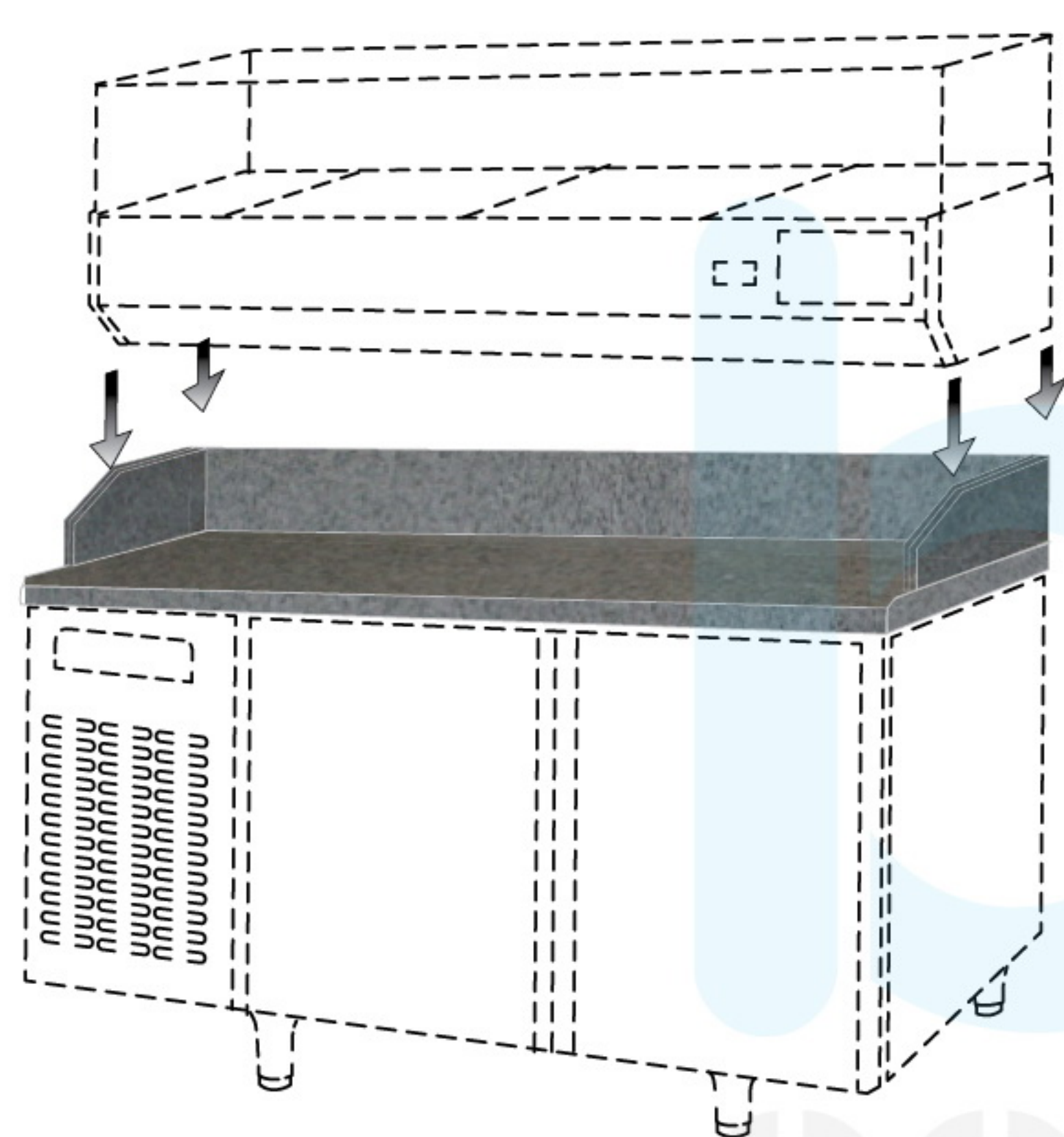
STC-150X



STC-200X

TYPE	DIMENSION (cm)			GN PAN (GN 1/4-4)	VOL. (L)	WATT (220V/50Hz)	TEMP. °C	WEIGHT (kg)	REFR.
	L	W	H						
STC-120X	120	33,5	43,5	5 pcs	23	110	+2 ~ +8	39 / 54	R600a
STC-150X	150	33,5	43,5	7 pcs	33	110			
STC-180X	180	33,5	43,5	8 pcs	37	110			
STC-200X	200	33,5	43,5	10 pcs	47	110			

Marble Top Counter for Salad Case



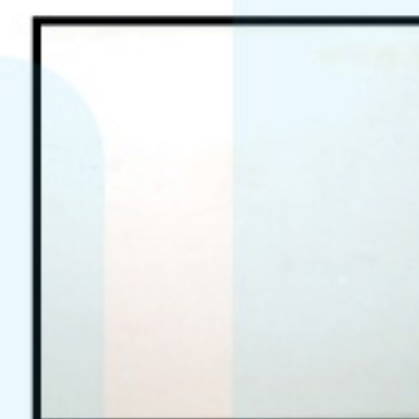
INNER DIMENSION OF
MARBLE TOP COUNTER



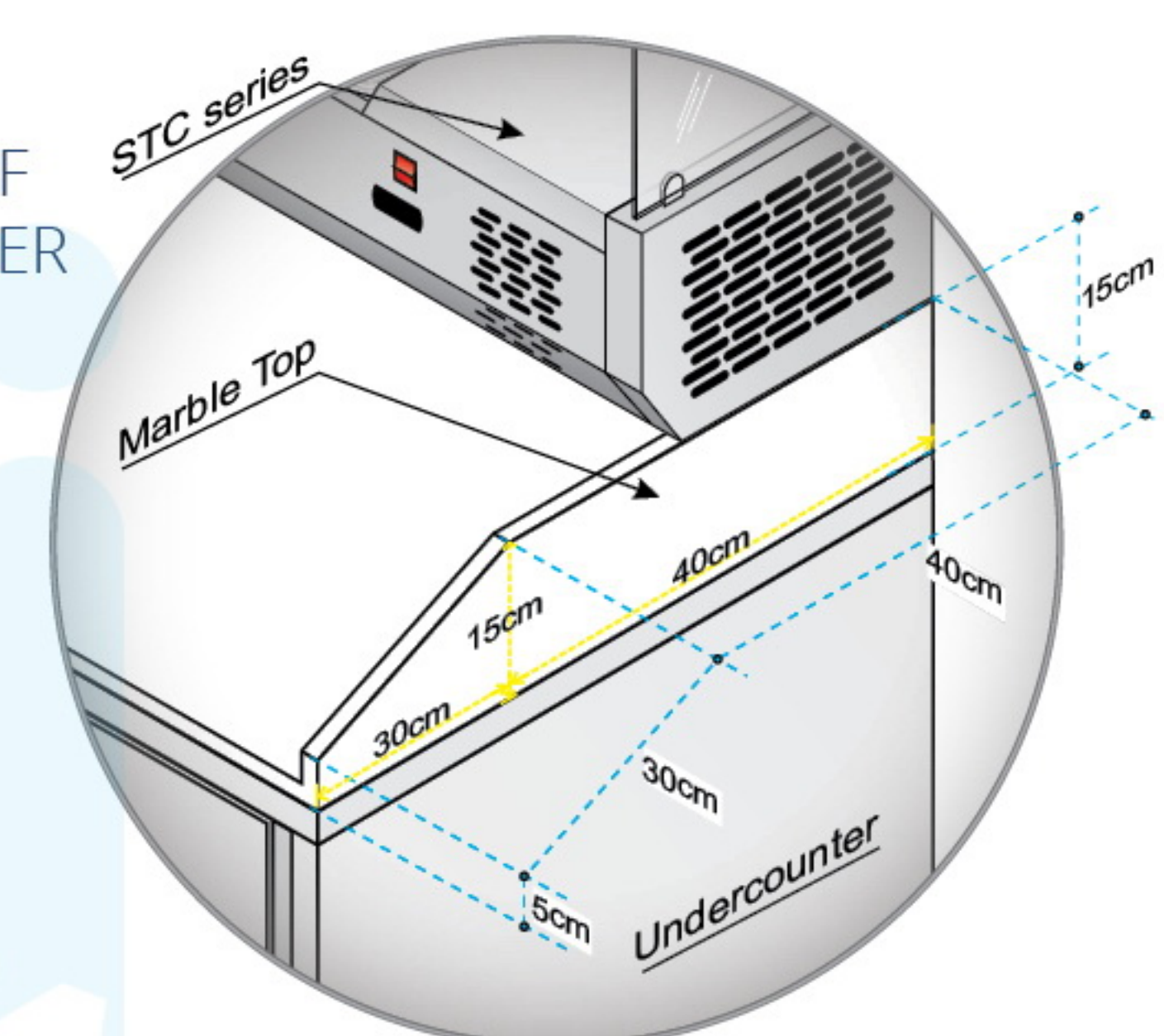
STAR
WHITE



NERO
(BLACK)



HAZEL
WHITE



TYPE	STAR WHITE	NERO (BLACK)	HAZEL WHITE
For M-RW6T2HH			
For M-RW6T3HHH			

Salad Showcase Display



Kabinet pendingin yang biasa diletakkan di atas Under Counter untuk salad dan topping, tidak perlu melubangi meja kerja Under Counter.



Table Top Salad Showcase

GN 1/6-4

Features

- Digital thermostat with LED display
- Static cooling with auto-defrost
- Curved double-tempered glass
- Includes 8x GN 1/6-4 pans
- Power switch, adjust. feet



RTW-67CH



Island Salad Bar

Features

- GN Pan stainless steel 1/1
- Digital thermostat
- Wooden body (front & side)
- Color: Walnut
- 4 wheels (2 with stopper)
- Sneezzer guard + lamp
- Static cooling



RTS-1210L



RTS-1490L



RTS-2150L

TYPE	DIMENSION (cm)			GN PAN (pcs)	VOL. (L)	WATT	TEMP. °C	WEIGHT (kg) Nett Gross	REFR.
	L	W	H						
RTW-67CH	80,5	65	36,5	8 x GN1/6	67	156	+2 ~ 12	33,5 / 36,5	R290
RTS-1210L	121	76,6	137	3 x GN1/1, 15 cm deep	68	170	+2 ~ +10	104 / 125	R600a
RTS-1490L	149	76,6	137	4 x GN1/1, 15 cm deep	90	170	+2 ~ +10	123 / 173	R600a
RTS-2150L	215	76,6	137	6 x GN1/1, 15 cm deep	136	270	+2 ~ +10	170 / 231	R290

S/s Blast Chiller & Shock Freezer



AK08-D



AK11-D



AK15-D

Kabinet pendingin yang berfungsi menurunkan suhu berbagai jenis produk makanan (siap saji, daging segar, sayuran, adonan roti dan lain sebagainya) dengan cepat dan secara merata untuk menjaga kualitas / kesegaran produk tetap optimal. Proses penurunan suhu biasa dilakukan untuk menjaga kelembaban produk tetap tinggi, mencegah perubahan warna dan rasa pada produk, dan mencegah berkembang biaknya bakteri.

Fungsi Blast Chiller mampu menurunkan suhu produk dari +90°C menjadi +3°C dalam waktu 90 menit.

Fungsi Shock Freezer mampu menurunkan suhu produk dari +90°C menjadi -18°C dalam waktu 240 menit.

Dilengkapi dengan jarum sensor untuk mendeteksi suhu produk bagian dalam (tengah). Rak bisa di Bakery Pan 400 x 600 mm.

Jarak antar rak 70 mm (pitch size).

TYPE	DIMENSION (cm)			SHELF (pcs)	VOL. (L)	WATT (380V/3P)	CAPACITY (kg/cycle)	TEMP. (°C)	WEIGHT (kg)	REFR.
	L	W	H							
AK08-D	79	80	132	8	315	2100	20 ~ 30		142	R404a
AK11-D	79	80	168	11	386	2850	30 ~ 40	-18~-39	170	R404a
AK15-D	79	80	195	15	510	4840	40 ~ 55		200	R404a

Blast Freezer

Aplikasi : Perusahaan pengolahan : Daging, Seafood, Catering dan Restoran, Hotel. Produk yang akan dibekukan dengan suhu awal 30°C, dapat dibekukan menjadi -20°C dalam waktu 6 sampai dengan 8 jam.



Blast freezer adalah unit pembeku cepat yang berfungsi :

- Mencegah berkurangnya kandungan cairan dalam daging/seafood (menjaga kelembaban produk tetap tinggi)
- Mencegah perubahan warna dan rasa pada daging/ikan
- Mencegah berkembang biaknya bakteri

FORCED AIR - PLUG IN

Features

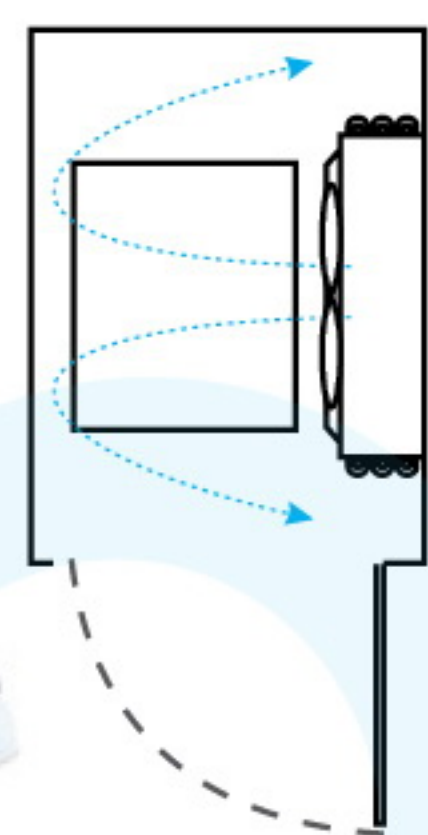
- Digital thermostat
- Trolley 1 pcs
- Pitch : 7cm
- Condensing Unit menyatu dengan blast freezer



T-26D

1 Trolley - GN2/1
For 13 pcs - GN2/1
Tray: 26 pcs - GN1/1

INCLUDE TROLLEY
13 TIERS



T-40D

1 Trolley - GN2/1
For 20 pcs - GN2/1
Tray: 40 pcs - GN1/1



TYPE	DIMENSION (cm)			FREEZING CAP/ CYCLE	VOL (L)	WATT (380V/3P)	TROLLEY	TEMP.	COMP	REFR.	WEIGHT (kg)	
	L	W	H								Nett	Gross
T-26D	89	130	186,5	50 ~ 65 kg	735	5200	1 pcs	-20 ~ -35°C	Tecumseh	R404a	340/362	
T-40D	153	130	197	65 ~ 80 kg	1060	6920	1 pcs	-20 ~ -35°C	Bitzer	R404a	550 / 670	



Poultry Dry Cabinet

Lemari pendingin yang berfungsi untuk mengurangi kadar minyak pada ayam/bebek.



Features

- Digital temperature controller
- Low-E door glass (anti fog)
- Interior LED lamp

Saran pengaturan suhu

Angsa : 3,5 sd. 5 jam

Temperatur : 13 ~ 16°C, RH: 70%

Peking duck : 8 jam

Temperatur : 14 ~ 18°C, RH: 45 ~ 50%

Ayam : 20 ~ 30 menit

Temperatur : 20°C, RH: 45 ~ 50%

Perlu ditiup angin kompresor untuk memisahkan daging dari kulit

EXPO FPR-1500

TYPE	DIMENSION (cm)			VOL. (L)	WATT (220V/1P)	TEMP.	WEIGHT (kg)	REFR.
	L	W	H					
EXPO FPR-1500	170,5	68	218	1500	1800	0 ~ +16°C	480	R410a



