

GEA[®]

One Stop Supply Commercial
Refrigeration & Medical
Refrigeration



Ice Maker

Product Catalogue

Ice Cube Maker

AIR COOLING SYSTEM



www.balicoolers.com



INTEGRATED

Mesin Pembuat Ice Cube dengan kapasitas hingga 95 kg/24 jam adalah solusi yang efisien dan handal untuk kebutuhan pembuatan es dalam skala menengah.



TF-80SNB
Dual water input



TF-120SNB
Dual water input



TF-210SNB
Dual water input

- WATER FILTER NEEDED
- WATER CONNECTION NEEDED

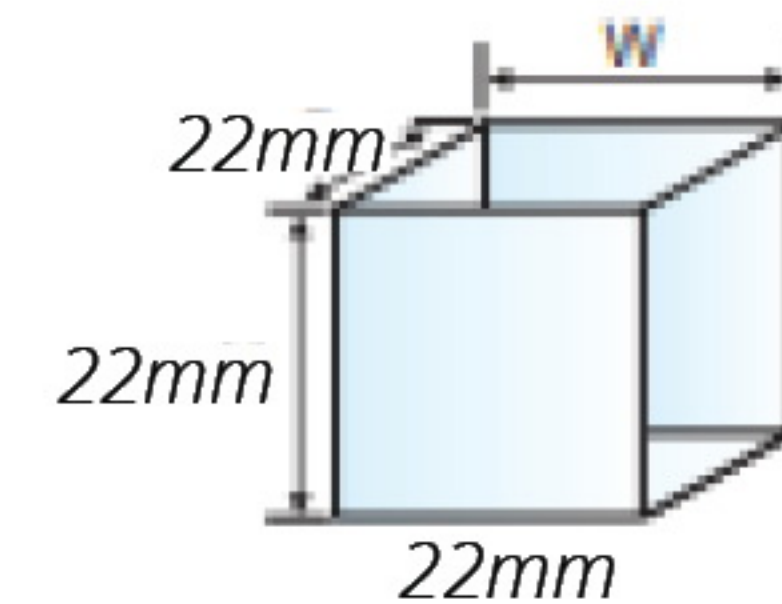


TF-280SN

Features

- Digital controller
- Quick ice freezing time
- Accessories (water filter)
- Ice cube size : 22x22x22 mm
- Stainless steel body
- Adjustable feet
- 220V/1P/50Hz
- Compressor: Cubigel

Ice cube size:



*) Toleransi Hasil Produksi adalah (+/-) 5% ~ 10%, tergantung pada: Tegangan listrik, suhu air masuk, ambient temperature

| TYPE | DIMENSION (cm) | | | CAPACITY (kg/24h) | ICE BIN (Kg) | POWER (W) | VOLTAGE | REFRIG | WEIGHT NW/GW (Kg) |
|-----------|----------------|------|------|-------------------|--------------|-----------|--------------|--------|-------------------|
| | L | W | H | | | | | | |
| TF-80SNB | 50 | 45 | 80,3 | 25 ~ 27 | 15 | 370 | 220V/1P/50Hz | R290 | 36 / 40 |
| TF-120SNB | 50 | 59 | 89 | 38 ~ 41 | 18 | 480 | 220V/1P/50Hz | R290 | 45 / 50 |
| TF-210SNB | 66 | 68,5 | 92 | 66 ~ 71 | 36 | 670 | 220V/1P/50Hz | R290 | 57 / 63 |
| TF-280SN | 66 | 70,7 | 92 | 88 ~ 95 | 36 | 830 | 220V/1P/50Hz | R290 | 60 / 72 |

Note:
Kapasitas produksi es dipengaruhi oleh suhu ruangan, suhu air yang masuk / water inlet (disarankan 20°C) & kejernihan air



Ice Cube Maker

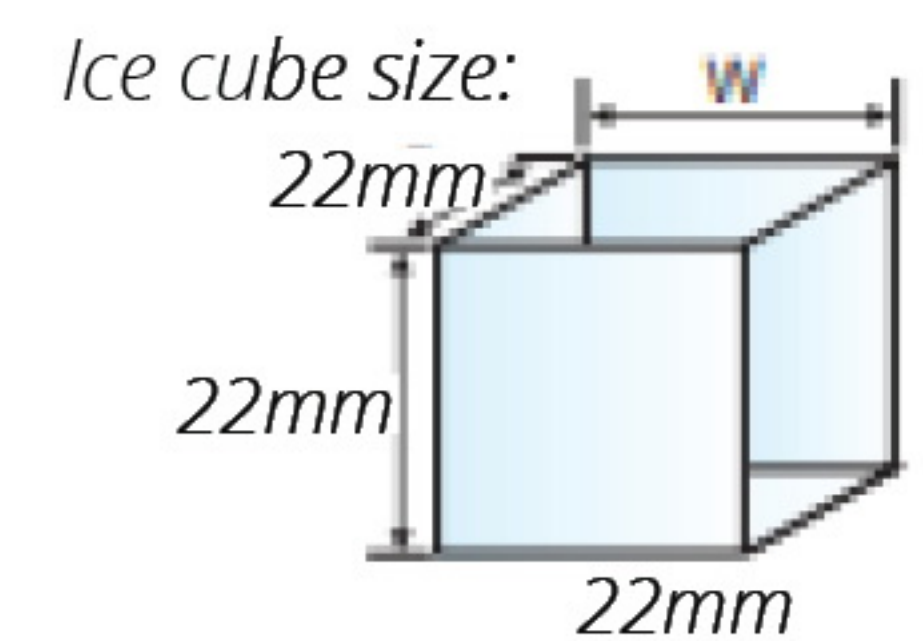
Undercounter Model - AIR COOLING SYSTEM

Mesin pembuat es batu yang dirancang khusus untuk ditempatkan di bawah meja kerja dapur komersial. Mesin ini memiliki kapasitas produksi hingga 60 kg dalam 24 jam, menjadikannya solusi yang efisien dan handal untuk kebutuhan pembuatan es dalam skala menengah. Dengan desain yang kompak bodi stainless steel yang digunakan pada bodi mesin memudahkan pembersihan serta memastikan ketahanan dan kebersihan yang optimal.

Mesin ice cube integrated design ini dilengkapi thermostat digital yang memudahkan dalam pengaturan (ice thickness), dan indikator penunjang proses produksi (preparing, ice harvest, dll).



-  CFC & HCFC FREE
-  WATER FILTER NEEDED
-  WATER CONNECTION NEEDED



TF-81SN

Features

- Digital thermostat
- Quick ice freezing time
- Air cooled system
- Accessories (water filter)
- Ice cube size : 22x22x22 mm
- Stainless steel body
- Adjustable feet



*) Toleransi Hasil Produksi adalah (+/-) 5% ~ 10%, tergantung pada: Tegangan listrik, suhu air masuk, ambient temperature



| TYPE | DIMENSION (cm) | | | CAPACITY (kg/24h) | ICE BIN (Kg) | POWER 220V/1P/50Hz (W) | REFRIG. | WEIGHT NW/GW (Kg) |
|----------------|----------------|------|------|-------------------|--------------|------------------------|---------|-------------------|
| | L | W | H | | | | | |
| TF-81SN | 66 | 63,5 | 77,5 | 55 ~ 60 | 40 | 610 | R290 | 58 / 65 |

Note:
Kapasitas produksi es dipengaruhi oleh suhu ruangan, suhu air yang masuk / water inlet (disarankan 20°C) & kejernihan air



Granular Ice Machine



-  WATER FILTER NEEDED
-  WATER CONNECTION DEEDED



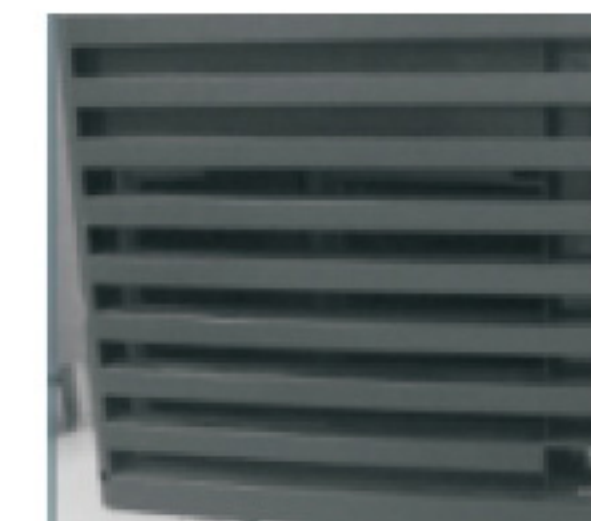
CR75



CR100



Embedded door panel, push lightly open

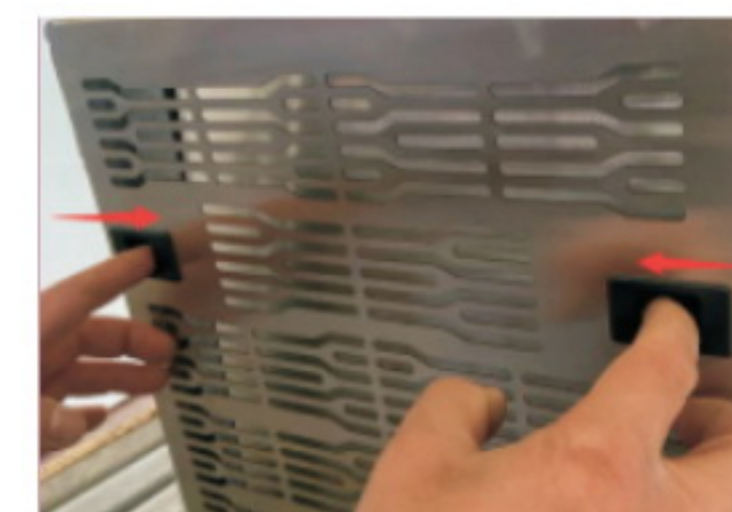


Front ventilation, rapid heat dissipation



CR800

TFB-1900



Panel Ventilasi:
Tekan lock pada panel, tekan ke dalam, lalu tarik keluar untuk melepaskan panel



Features

- Intelligent operation 1 button
- Easy access on the ice machine front panel for maintenance (CR-800)
- Split design, stacked together machine & ice bin
- Quick ice freezing time
- Soft close function on ice bin lid
- Durable compressor, low noise level and long service life
- Adjustable height

*) Toleransi Hasil Produksi adalah (+/-) 5% ~ 10%, tergantung pada: Tegangan listrik, suhu air masuk, ambient temperature

| TYPE | DIMENSION (cm) | | | CAPACITY (kg/24h) | ICE BIN (Kg) | POWER (W) (220V/1P/50Hz) | REFRIG. | WEIGHT NW/GW (Kg) |
|----------|----------------|------|-----|-------------------|--------------|--------------------------|-------------|-------------------|
| | L | W | H | | | | | |
| CR75 | 66 | 70 | 103 | 52 ~ 60 | 45 | 650 | R290/150g | 79 / 84 |
| CR100 | 66 | 70 | 103 | 70 ~ 80 | 45 | 700 | R290/152g | 80 / 85 |
| CR800 | 122,5 | 71,5 | 90 | 550 ~ 600 | - | 2100 (380V) | R404a/1520g | 172 / 189,2 |
| TFB-1900 | 122 | 95 | 114 | - | 400 | - | - | 128 / 139 |

Note:

Kapasitas produksi es dipengaruhi oleh suhu ruangan, suhu air yang masuk / water inlet (disarankan 20°C) & kejernihan air

Ice Cube Maker

AIR COOLING SYSTEM



www.balicoolers.com



MODULAR



TFB-150SN



TFB-200SN



TFB-200SN



TFB-200SN



TFB-350SN

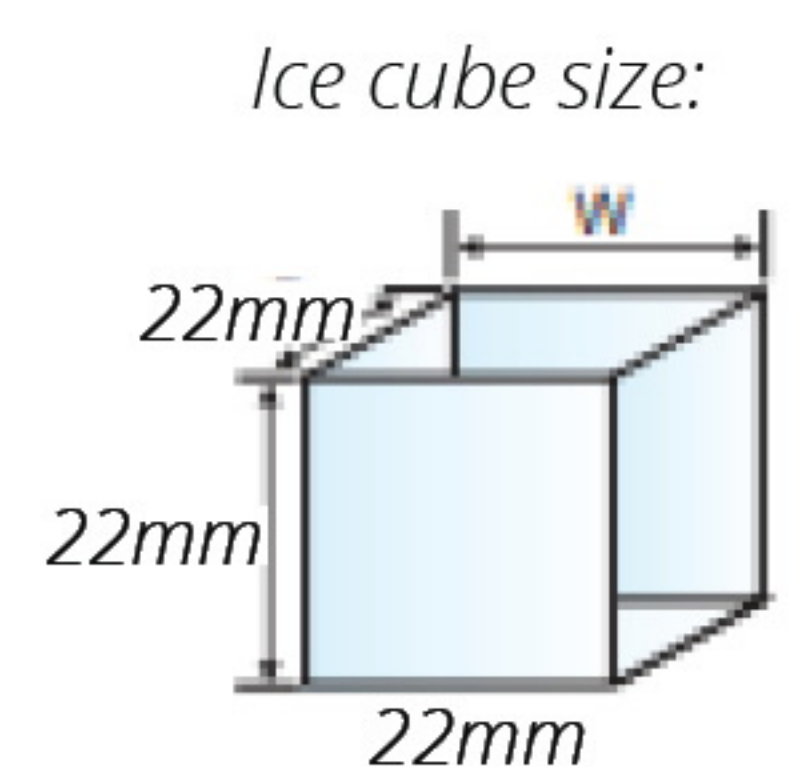


TFB-350SN

- WATER FILTER NEEDED
- WATER CONNECTION NEEDED

Features

- Digital thermostat
- Quick ice freezing time
- Accessories (water filter)
- Ice cube size : 22x22x22 mm
- Stainless steel body
- Adjustable feet
- Compressor: Highly



| TYPE | DIMENSION (cm) | | | CAPACITY (kg/24h) | ICE BIN (Kg) | POWER (W) | VOLT | REFRIG. | WEIGHT (Kg) |
|-----------|----------------|------|-------|-------------------|--------------|-----------|--------------|---------|-------------|
| | L | W | H | | | | | | |
| TF-420SN | 56 | 61,8 | 56,8 | 133 ~ 150 | - | 800 | 220V/1P | R290 | 35 / 52 |
| TFB-150SN | 56 | 86 | 118 | - | 150 | - | - | - | 33 / 38 |
| TF-500SN | 76 | 61,8 | 56,8 | 150 ~ 170 | - | 1360 | 220V/1P | R290 | 66 / 70 |
| TFB-200SN | 76 | 86 | 118 | - | 200 | - | - | - | 39 / 44 |
| TF-700SN | 76 | 61,8 | 56,8 | 220 ~ 240 | - | 1510 | 220V/1P | R404a | 66 / 71 |
| TFB-200SN | 76 | 86 | 118 | - | 200 | - | - | - | 39 / 44 |
| TF-1000SN | 76 | 61,8 | 74,3 | 318 ~ 341 | - | 2400 | 220V/1P | R404a | 85 / 90 |
| TFB-200SN | 76 | 86 | 118 | - | 200 | - | - | - | 39 / 44 |
| TF-1500SN | 122,7 | 64,8 | 67,3 | 477 ~ 511 | - | 3400 | 220V/1P | R404a | 100 / 120 |
| TFB-350SN | 122,7 | 97,3 | 115,5 | - | 350 | - | - | - | 75 / 100 |
| TF-2000SN | 122,7 | 64,8 | 80,3 | 635 ~ 680 | - | 4000 | 380V/3P/50Hz | R404a | 150 / 170 |
| TFB-350SN | 122,7 | 97,3 | 115,5 | - | 350 | - | - | - | 75 / 100 |

*) Toleransi Hasil Produksi adalah (+/-) 5% ~ 10%, tergantung pada: Tegangan listrik, suhu air masuk, ambient temperature

Ice Flaker

AIR COOLING SYSTEM

The ice are presented in the most natural shape, and the temperature is basically below zero degrees Celsius.

Fun to crunch, absorb flavors of beverages, cools beverages quickly.

Perfect for soft or blended drinks, smoothies, food displays and everyday uses.



Features

- Digital thermostat
- Quick ice freezing time
- Accessories
- Stainless steel body
- Embedded door panel, push slightly to open
- Adjustable feet



CR-60SN CR-120SN



CR-250SN

TFB-150SN



CR-350SN

TFB-150SN



CR-450SN

TFB-150SN

| TYPE | DIMENSION (cm) | | | CAPACITY (kg/24h) | ICE BIN (Kg) | POWER (W) | VOLT | REFRIG | WEIGHT NW/GW (Kg) |
|-----------|----------------|----|------|-------------------|--------------|-----------|--------------|--------|-------------------|
| | L | W | H | | | | | | |
| CR-60SN | 52 | 56 | 95,5 | 42 ~ 48 | 20 | 350 | 220V/50HZ/1P | R290 | 54 / 61 |
| CR-120SN | 65 | 66 | 105 | 84 ~ 96 | 50 | 680 | 220V/50HZ/1P | R290 | 95 / 112 |
| CR-250SN | 56 | 86 | 61,5 | 175 ~ 200 | - | 910 | 220V/50HZ/1P | R290 | 102 / 130 |
| TFB-150SN | 56 | 86 | 118 | - | 150 | - | - | - | 33 / 38 |
| CR-350SN | 56 | 86 | 66,5 | 245 ~ 280 | - | 1450 | 220V/50HZ/1P | R404A | 107 / 135 |
| TFB-150SN | 56 | 86 | 118 | - | 150 | - | - | - | 33 / 38 |
| CR-450SN | 56 | 86 | 71,5 | 315 ~ 360 | - | 2000 | 220V/50HZ/1P | R404A | 112 / 140 |
| TFB-150SN | 56 | 86 | 118 | - | 150 | - | - | - | 33 / 38 |

*) Toleransi Hasil Produksi adalah (+/-) 5% ~ 10%, tergantung pada: Tegangan listrik, suhu air masuk, ambient temperature





Ice Scaler

AIR COOLING SYSTEM

MODULAR

Mesin Pembuat Es berbentuk Flake adalah solusi ideal untuk kebutuhan pembuatan es dalam jumlah besar dengan kapasitas produksi hingga 1125 kg dalam 24 jam. Mesin ini dirancang untuk menghasilkan es berbentuk pipih yang cocok digunakan di bidang Horeca, perikanan, pengolahan makanan, untuk menjaga kesegaran dan kualitas produk.



-  WATER FILTER NEEDED
-  WATER CONNECTION NEEDED

Features

- Digital thermostat
- Quick ice freezing time
- Accessories (water filter)
- Stainless steel body
- Air cooling system
- Embedded door panel, push slightly to open
- Adjustable feet





| TYPE | DIMENSION (cm) | | | CAPACITY (kg/24h) | ICE BIN (Kg) | POWER (W) | VOLT | REFRIG | WEIGHT NW/GW (Kg) |
|-----------|----------------|------|-------|-------------------|--------------|-----------|--------------|------------|-------------------|
| | L | W | H | | | | | | |
| CK-83SN | 76 | 61,8 | 80 | 560~600 | - | 3450 | 220V/1P/50Hz | R404a/1350 | 140 / 150 |
| TFB-200SN | 76 | 86 | 118 | - | 200 | - | - | - | 39 / 44 |
| CK-103SN | 122,5 | 74,3 | 94 | 700~750 | - | 6200 | 380V/3P/50Hz | R404a/2200 | 255 / 280 |
| TFB-350SN | 122,7 | 97,3 | 115,5 | - | 350 | - | - | - | 75 / 100 |
| CK-153SN | 122,5 | 74,3 | 94 | 1050~1125 | - | 7400 | 380V/3P/50Hz | R404a/2300 | 275 / 300 |
| TFB-350SN | 122,7 | 97,3 | 115,5 | - | 350 | - | - | - | 75 / 100 |

*) Toleransi Hasil Produksi adalah (+/-) 5% ~ 10%, tergantung pada: Tegangan listrik, suhu air masuk, ambient temperature



Ice Dispenser (with Cold Water Dispenser)

Solusi efisien yang menggabungkan fungsi pembuat es batu serta dispenser air dingin dalam satu unit. Dilengkapi touch screen digital control 4.1", mesin ini memudahkan untuk memilih tiga varian ukuran es (kecil, sedang, besar) dengan kapasitas produksi mencapai 70 kg per hari. Ideal untuk di kafe, restoran, bar, kedai minuman, convenience store, wahana permainan.

-  WATER FILTER NEEDED
-  WATER CONNECTION NEEDED

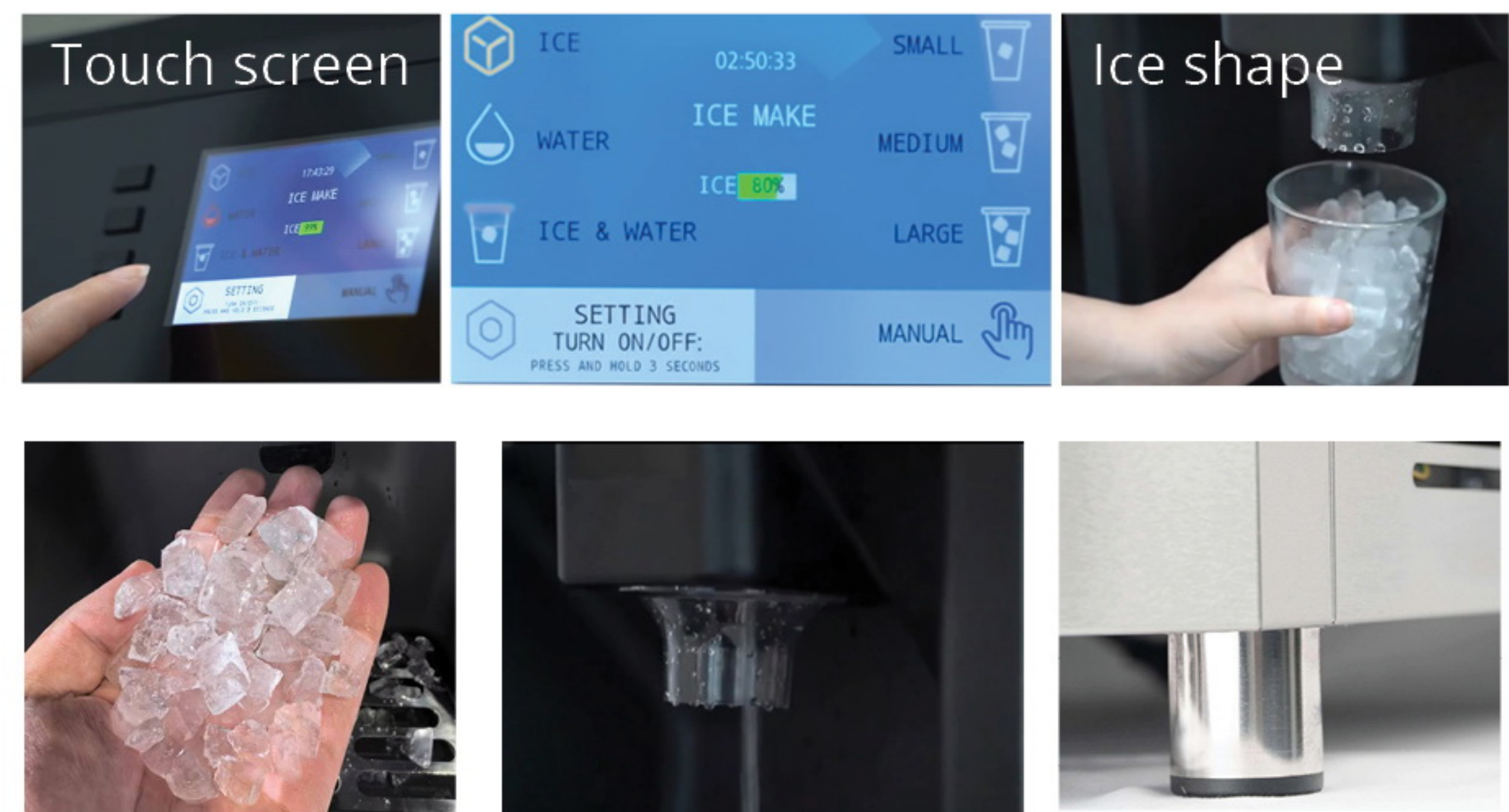


SK-229D

Features

- 4,1" touch screen operation
- Digital controller ice release method, with 3 option ice size (small, medium, large)
- Cold water dispenser function
- Ice storage bin (2,8Kg)
- Air cooling system

*) Toleransi Hasil Produksi adalah (+/-) 5% ~ 10%, tergantung pada: Tegangan listrik, suhu air masuk, ambient temperature



Cold water dispenser



| TYPE | DIMENSION (cm) | | | CAPACITY (kg/24hour) | BIN (Kg) | POWER (W) (220V/1P) | REFRIG. | WEIGHT (kg) |
|---------|----------------|----|----|----------------------|----------|------------------------|---------|-------------|
| | L | W | H | | | | | |
| SK-229D | 35 | 60 | 83 | 70 | 2,8 | 404 | R290 | 47 / 51 |

Granular Ice Dispenser

Mesin ini digunakan untuk membuat es berbentuk granular yang dikeluarkan dengan menekan tuas, dapat berfungsi juga sebagai dispenser air.

-  WATER FILTER NEEDED
-  WATER CONNECTION NEEDED

Features

- Touch screen panel
- Work as water dispenser
- Suitable for convenience store, buffet, etc
- Press the handle to release the granular ice



BS-128

| | |
|----------------------------|--------------------|
| DIMENSION (L x W x H) (cm) | 31,8 x 62,3 x 81,5 |
| CAPACITY (L) | 2,5 |
| BIN (Kg) | 4,5 |
| REFRIGERANT | R290 |
| POWER | 800 W |
| VOLTAGE | 220V/1P/50Hz |
| COOLER SYSTEM | Air |
| WEIGHT (kg) | 46,6 / 49,6 |

*) Toleransi Hasil Produksi adalah (+/-) 5% ~ 10%, tergantung pada: Tegangan listrik, suhu air masuk, ambient temperature

Diamond Ice



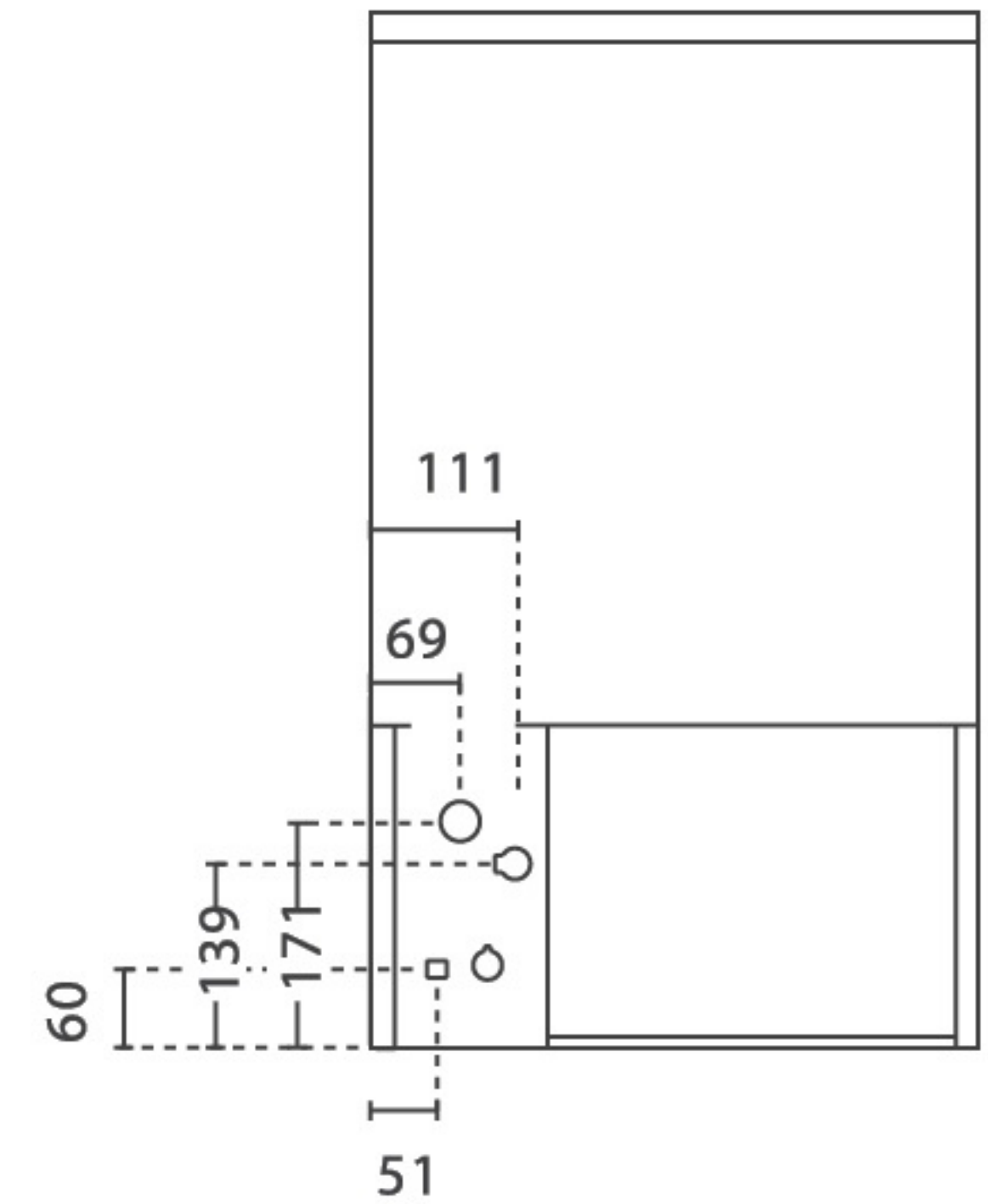
- WATER FILTER NEEDED
- WATER CONNECTION NEEDED



CD-55



CD-90



| TYPE | DIMENSION (cm) | | | CAPACITY (kg/24h) | BIN (kg) | REFRIG. | POWER (W) | COOLER SYSTEM |
|-------|----------------|------|----|-------------------|----------|---------|-----------|---------------|
| | L | W | H | | | | | |
| CD-55 | 46,5 | 59,5 | 79 | 38 | 20 | R404a | 505 | Air |
| CD-90 | 46,5 | 59,5 | 79 | 67 | 20 | R404a | 533 | |

*) Toleransi Hasil Produksi adalah (+/-) 5% ~ 10%, tergantung pada: Tegangan listrik, suhu air masuk, ambient temperature





Gourmet Cubes

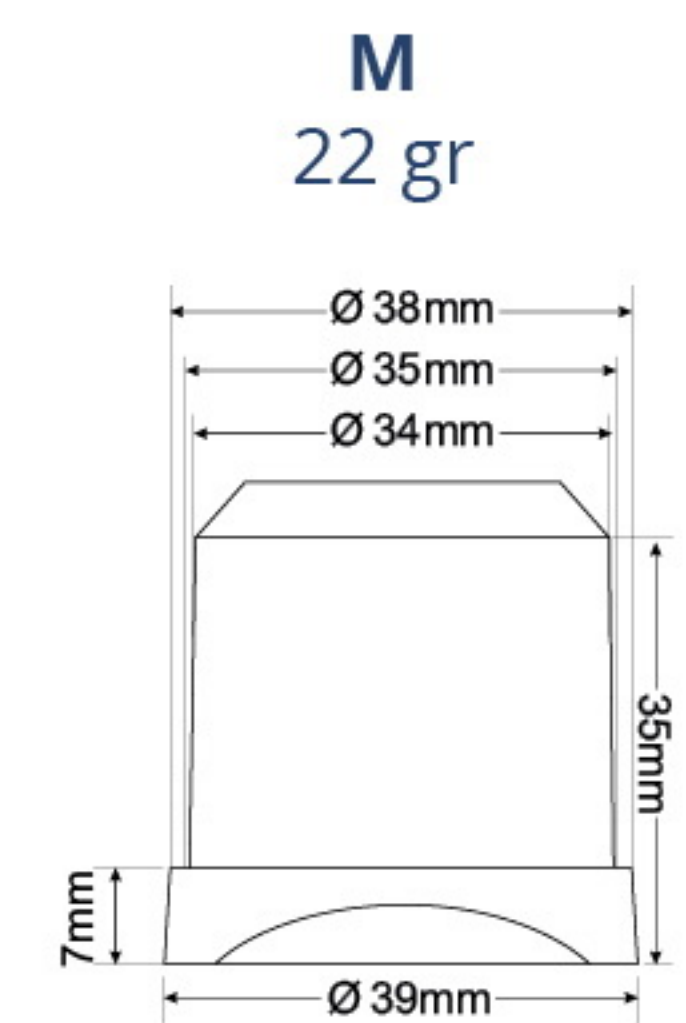
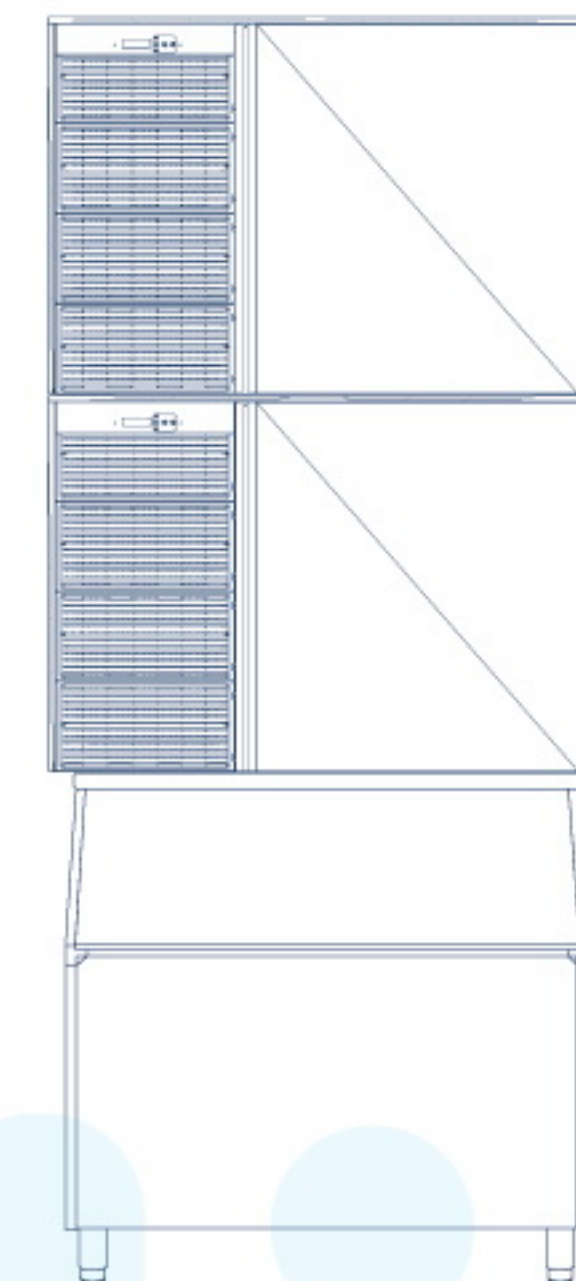


Features

- Produces solid gourmet crystal clear ice cube
- Machine with biggest production in its range
- Lowest electricity consumption only 18 KWH/100Kg ice (data with 60 gr cube size)
- Lowest water consumption, only 1,68 L/Kg ice
- Electricity control machine
- External warning lights
- Cleaning switch allows an easy cleaning task



- WATER FILTER NEEDED
- WATER CONNECTION NEEDED



Bisa ditumpuk 2 unit dengan stacking kit

*) Toleransi Hasil Produksi adalah (+/-) 5% ~ 10%, tergantung pada: Tegangan listrik, suhu air masuk, ambient temperature

| TYPE | DIMENSION (cm) | | | CAPACITY (kg/24h) | BIN (kg) | ICE (pcs) | REFRIG. | POWER (W) | VOLTAGE |
|------------|----------------|------|-------|-------------------|----------|-----------|---------|-----------|---------|
| | L | W | H | | | | | | |
| SS-400A | 132 | 63,8 | 97,8 | 304 | Modular | 192 | R404a | 3140 | 380V/3P |
| BIN IB-700 | 122 | 95 | 114,5 | - | 700 | - | - | - | - |

Granular Ice



- WATER FILTER NEEDED
- WATER CONNECTION NEEDED

| TYPE | DIMENSION (cm) | | | CAPACITY (kg/24h) | BIN (kg) | REFRIG. | POWER (W) | VOLTAGE (V) | COOLER SYSTEM |
|-----------|----------------|----|-------|-------------------|----------|---------|-----------|-------------|---------------|
| | L | W | H | | | | | | |
| GR-140 | 51,5 | 55 | 135,5 | 106 | 60 | R404a | 640 | 220V | Air |
| GR-400 | 65,6 | 55 | 66 | 308 | - | R404a | 1300 | 220V | Air |
| TFB-200SN | 76 | 86 | 118 | - | 200 | - | - | - | - |

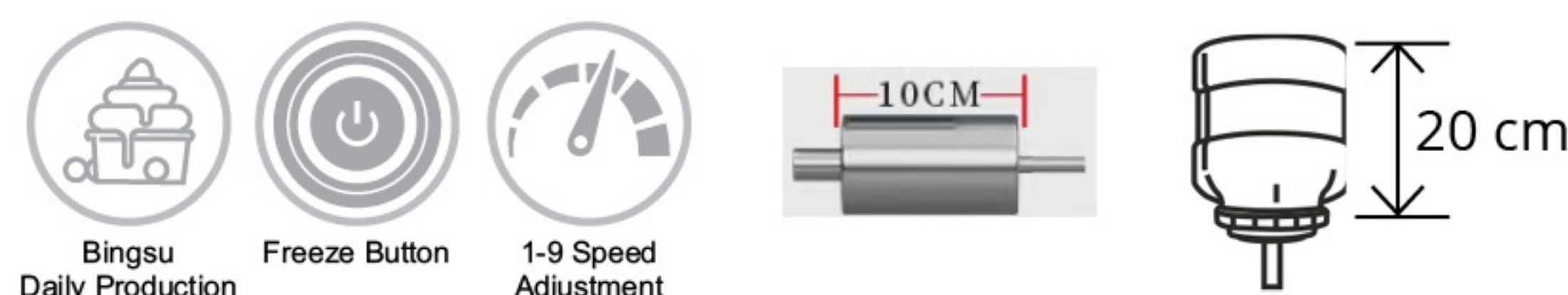
*) Toleransi Hasil Produksi adalah (+/-) 5% ~ 10%, tergantung pada: Tegangan listrik, suhu air masuk, ambient temperature

Snow Ice Maker

Air Cooling System



SN-180ZB



Features

- Speed adjuster knob (0 - 9)
- Freeze button
- Stainless steel threaded drum
- Body Stainless steel
- Power switch (ON/OFF)
- Roller : 100mm
- Include 1 pcs polycarbonate tray and 2 barrels
- Feet



*) Toleransi Hasil Produksi adalah (+/-) 5% ~ 10%, tergantung pada: Tegangan listrik, suhu air masuk, ambient temperature

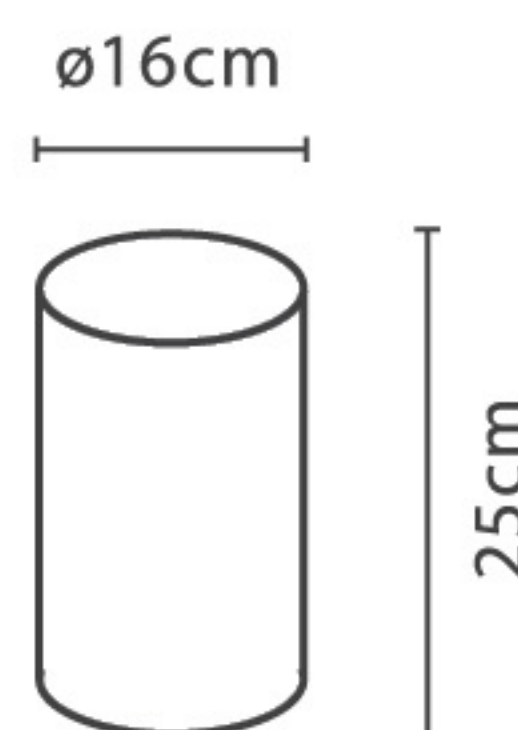
| TYPE | DIMENSION (cm) | | | CAPACITY (kg/24hour) | POWER(W) (220V/1P) | REFRIG. | WEIGHT (kg) |
|----------|----------------|----|----|----------------------|--------------------|-------------|-------------|
| | L | W | H | | | | |
| SN-180ZB | 33 | 57 | 52 | 180 | 1200 | R410a(950g) | 31 |

*) Production capacity depends on room & water temperature.

Small Ice Block Planer

Features

- Using ice block
- Electric/manual power source
- Optional "Round Bin" made of aluminium
- To get softer texture, add sugar/milk into the water
- Soft shaved ice suitable for Es Shanghai & Es Campur



ET-118

| TYPE | DIMENSION (cm) | | | CAPACITY (kg/h) | SPEED (rpm) | WATT (1P/220V/50Hz) | WEIGHT (kg) |
|--------|----------------|----|----|-----------------|-------------|---------------------|-------------|
| | L | W | H | | | | |
| ET-118 | 32 | 40 | 86 | 90 | 250 | 350 | 20 |

Ice Planer / Shaver

Mesin penyerut es batu dengan kapasitas yang bervariasi dan pengatur tingkat ketebalan sesuai dengan kebutuhan dan aplikasi yang berbeda-beda. Cocok untuk penggunaan komersial, seperti: es campur, es doger, dan es shanghai.

Ice Cube / Tube Planer

- Cast aluminium body



ICE-120SC



ICE-300SC

- Stainless steel body

| TYPE | DIMENSION (cm) | | | CAPACITY (kg/h) | WATT (1P/220V/50Hz) | WEIGHT (kg) |
|-----------|----------------|----|----|-----------------|---------------------|-------------|
| | L | W | H | | | |
| ICE-120SC | 42.5 | 20 | 30 | 25 | 250 | 5,5 |
| ICE-300SC | 41 | 23 | 43 | 100 | 300 | 8 |

www.balicoolers.com

Features

- Using ice block/ice tube
- More quiet and strong machine
- Adjustable thickness
- Rough texture, suitable for Es Doger & Es Teler



ET-188

| | |
|----------------------------|--------------|
| DIMENSION (L x W x H) (cm) | 29 x 40 x 56 |
| CAPACITY (kg/hour) | 200 |
| SPEED (rpm) | 320 |
| WATT (1P/220V/50Hz) | 300 |
| WEIGHT (kg) | 14 |

www.balicoolers.com

Ice Scaller Fresh Water



Mesin untuk membuat es berbentuk lempengan pipih dari air tawar

WATER-COOLED CONDENSOR

Features

- Media air Tawar
- GM-05K~ 30K using air condensor
- GM-50K~ 100K using cooling tower
- Adjustable ice thickness
- Thickness 1,5mm (for meat processing)
- Thickness 2,2mm (for fish)
- Stainless steel body
- Compressor Danfoss (GM-05~20K) & Bitzer (GM-30~100K)
- Power supply 380V/50hz
- Refrigerant R-404a

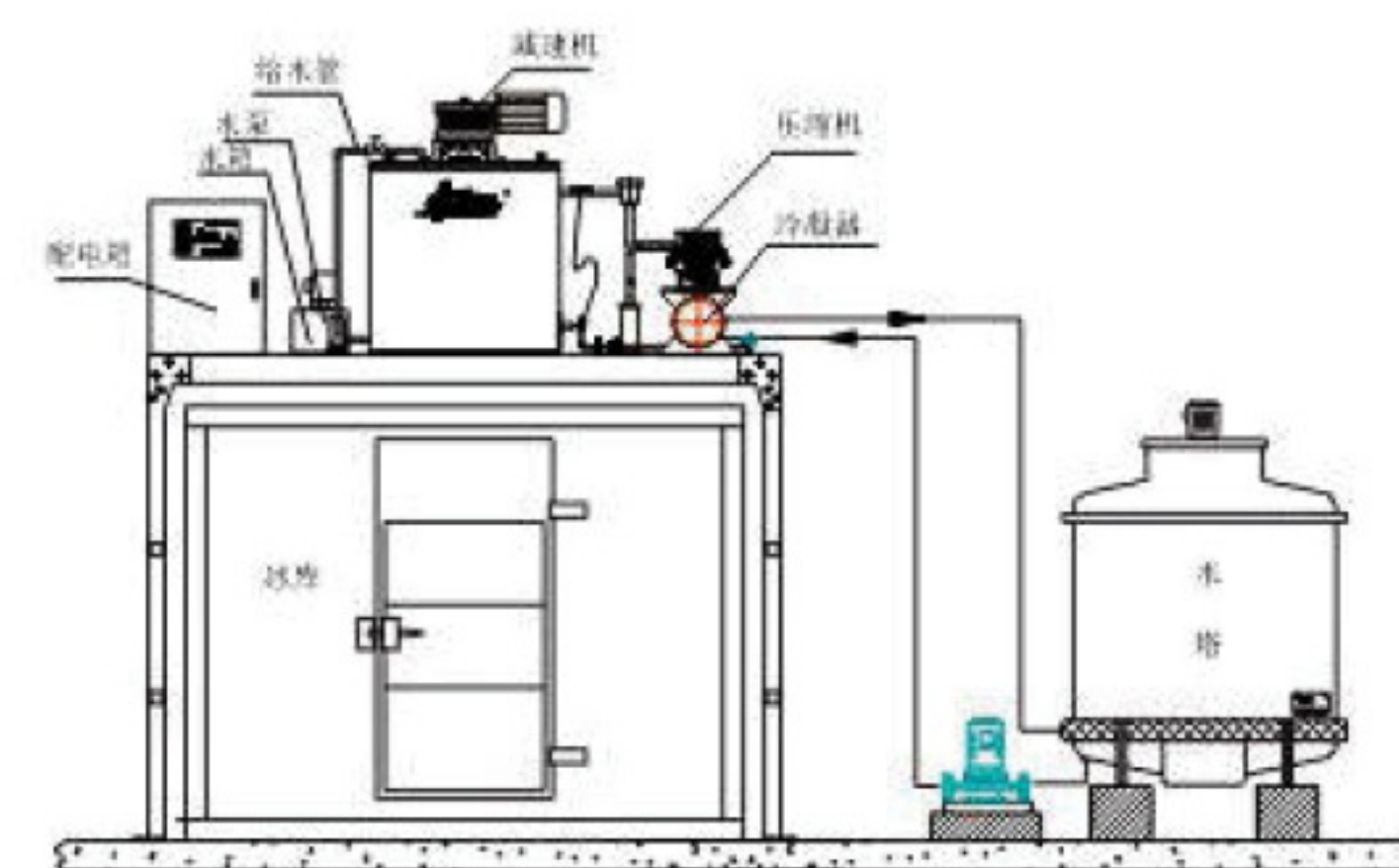


GM-30K

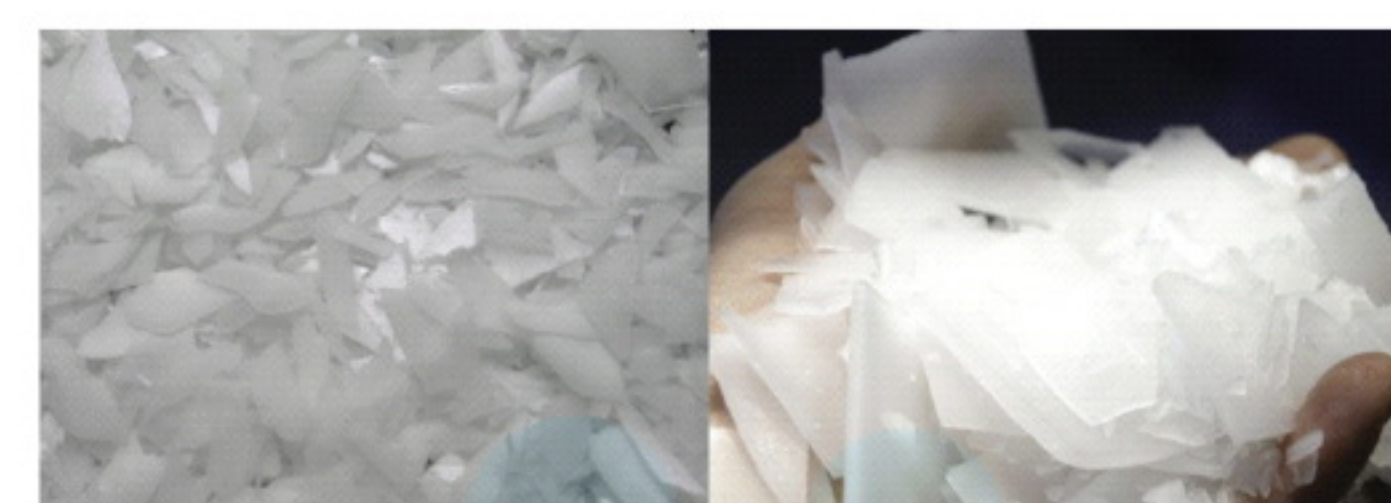
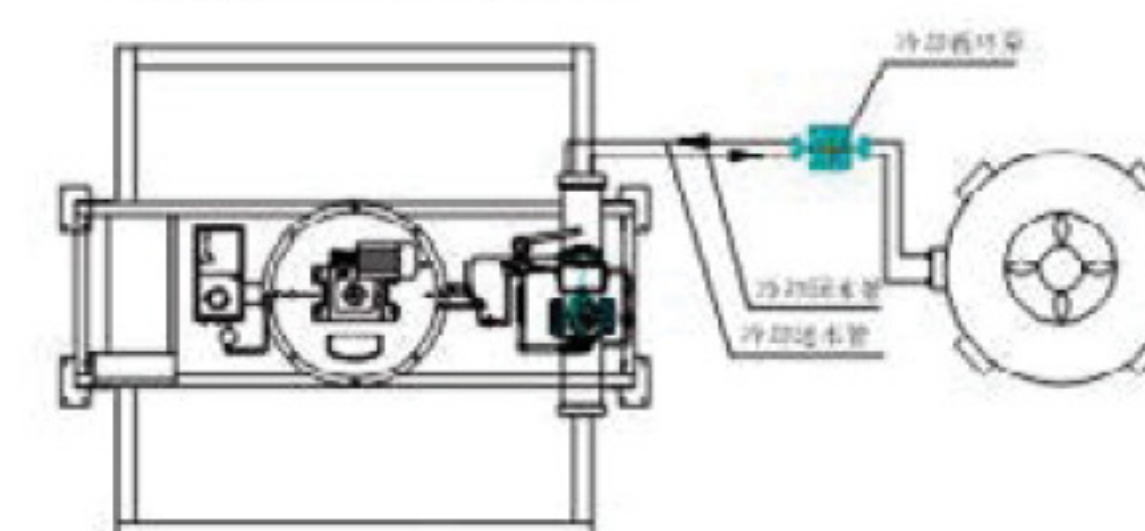


GM-50K, GM-80K, GM-100K

WATER FILTER NEEDED
Harga belum termasuk dengan water filter.



Cold Room seri GAC



AIR-COOLED CONDENSOR



GM-05K, GM-10K, GM-15K



GM-20K

| Storage Bin | Recommended Machine | Storage Cap (Kg) | DIMENSION LxWxH (cm) |
|-------------|---------------------|------------------|----------------------|
| Bin-400K | GM-05 ~ 15K | 400 | 133,6x150x108,5 |
| Bin-500K | GM-20K | 500 | 150x151,5x108,5 |
| GAC-75 | GM-30~100K | 5000 | 200x200x250 |

www.balicoolers.com

*) Toleransi Hasil Produksi adalah (+/-) 5% ~ 10%, tergantung pada: Tegangan listrik, suhu air masuk, ambient temperature

| TYPE | CAP. PROD (kg/24h) | HARVS. TIME (Kg/hour) Estimate | DIMENSION | | WEIGHT (Machine) (kg) | COMPR. | | TOTAL POWER (KW)-380V |
|---------|--------------------|--------------------------------|----------------------|---------------------|-----------------------|---------|------|-----------------------|
| | | | Machine (LxWxH) (cm) | Cooling Tower (ØxH) | | Brand | HP | |
| GM-05K | 500 | 21 | 115x80x80 | Air Cooling | 210 | Danfoss | 3 | 2,39 |
| GM-10K | 1000 | 42 | 139x84,5x90 | Air Cooling | 290 | Danfoss | 5 | 4,2 |
| GM-15K | 1500 | 63 | 150x94x100 | Air Cooling | 350 | Danfoss | 8 | 6,74 |
| GM-20K | 2000 | 84 | 160,5x110x112,2 | Air Cooling | 397 | Danfoss | 10 | 8,16 |
| GM-30K | 3000 | 125 | 163,7x136,1x119,4 | Air Cooling | 640 | Bitzer | 15 | 15,3 |
| GM-50K | 5000 | 208 | 204x165x159,5 | 138,5x215,5 | 1170 | Bitzer | 25 | 23,6 |
| GM-80K | 8000 | 334 | 270x201,8x152,5 | 165x205 | 1800 | Bitzer | 40 | 32,4 |
| GM-100K | 10000 | 417 | 332x190x184 | 188x212 | 2015 | Bitzer | 25x2 | 46,4 |

- * Gratis biaya pemasangan Untuk GM-05K ~ GM-20K
- * Biaya pemasangan GM-30K ~ GM-100K 10% dari daftar harga
- * Kapasitas produksi berlaku pada kondisi temperatur ambient : +25°C, dan temperatur air : +21°C
- * Toleransi hasil produksi dipengaruhi oleh temperatur ambient dan air
- * Kejernihan es tergantung kualitas air untuk produksi

Ice Scaller Sea Water

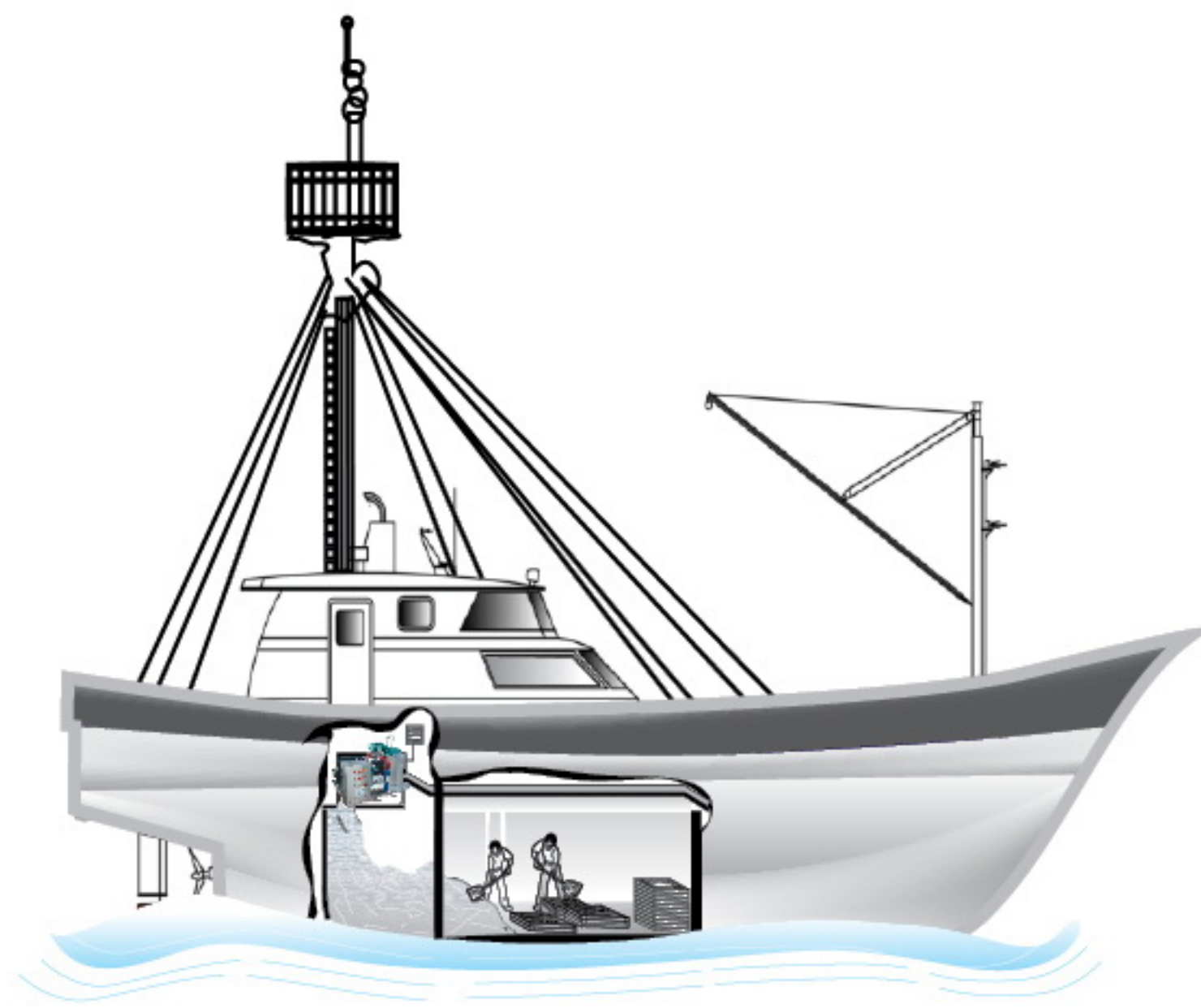
Mesin untuk membuat es berbentuk lempengan pipih dari air laut, untuk mengawetkan ikan di atas kapal

 **WATER FILTER NEEDED**
Harga belum termasuk dengan water filter.



Features

- Water Cooling condensor use sea water
- Stainless steel body
- Bitzer compressor
- Refrigerant R-404
- Large scale fishing without Ice supplies Problem



*) Toleransi Hasil Produksi adalah (+/-) 5% ~ 10%, tergantung pada: Tegangan listrik, suhu air masuk, ambient temperature

| TYPE | CAPAC. PRODUCT (kg/24h) | HARVEST TIME (Kg/hour) Estimate | DIMENSION (cm) | | | WEIGHT (Kg) | COMPRES. | | TOTAL POWER (KW) |
|---------|-------------------------|---------------------------------|----------------|-----|------|-------------|----------|----|------------------|
| | | | L | W | H | | Brand | HP | |
| GMH-10K | 1000 | 42 | 140 | 90 | 85 | 220 | Bitzer | 6 | 4,6 |
| GMH-15K | 1200~1500 | 63 | 150 | 110 | 98,4 | 350 | Bitzer | 10 | 6,4 |
| GMH-20K | 1500~2000 | 84 | 150 | 115 | 103 | 420 | Bitzer | 15 | 11,2 |

* Kapasitas produksi berlaku pada kondisi temperatur ambient : +25°C, dan temperatur air : +21°C

* Toleransi hasil produksi dipengaruhi oleh temperatur ambient dan air

* Kejernihan es tergantung kualitas air untuk produksi



Commercial Ice Cube Machine

GEA

bali
coolers
www.balicoolers.com



Mesin yang berfungsi untuk membuat es batu berbentuk kubus.
Cocok digunakan untuk pabrik es batu yang dijual dalam kemasan kantong.
Kapasitas tempat penyimpanan es dapat menampung produksi tiap dua jam.
Mesin akan berhenti jika bin-nya sudah penuh.

WATER FILTER NEEDED



CV-3000



CV-5000



CV-10000

Features

- Control panel: PLC SIEMEN
- Compressor BITZER
- Voltage: 380V/3P/50Hz
- Water Condensor, includes cooling tower
- Stainless steel body
- Refrigerant R-404a

Air yang masuk ke cooling tower dan cetakan es disarankan melalui **water filter** (harga belum termasuk)

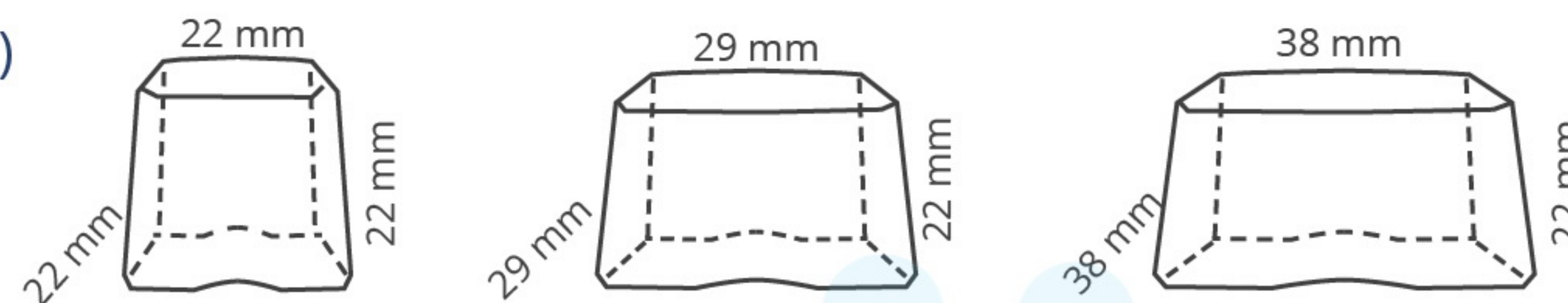


Cooling Tower

Support mesin & support cooling tower disediakan konsumen

*) Toleransi Hasil Produksi adalah (+/-) 5% ~ 10%, tergantung pada: Tegangan listrik, suhu air masuk, ambient temperature

Ukuran Ice Cube (pilih salah satu)



| TYPE | PRODUC. /day (kg) | ICE BIN CAPACITY (kg) | DIMENSION (cm) | | POWER Kw (380V) | WEIGHT (Kg) | |
|----------|-------------------|-----------------------|----------------|-----------------------|-----------------|-------------|---------------|
| | | | Machine | Cooling Tower (H x Ø) | | Machine | Cooling Tower |
| CV-2000 | 2000 | 250 | 196x150x190 | 175 x 106 | 10,08 | 510 | 210 |
| CV-3000 | 3000 | 300 | 196x210x190 | 175 x 106 | 23,25 | 760 | 210 |
| CV-5000 | 5000 | 500 | 310x211x200 | 187 x 165 | 26 | 940 | 250 |
| CV-10000 | 10000 | 1000 | 590x211x200 | 205 x 183 | 52,45 | 1500 | 360 |

* Kapasitas produksi berlaku pada kondisi temperatur ambient: +25°C, dan temperatur air: +21°C
 * Toleransi hasil produksi dipengaruhi oleh temperatur ambient dan air
 * Kejernihan es tergantung kualitas air untuk produksi
 * Biaya pemasangan 5% dari daftar harga

Commercial Ice Block Machine

GEA®

bali coolers
www.balicoolers.com



With Brine Tank

WATER FILTER NEEDED



Mesin untuk menghasilkan es balok yang sangat efisien, mudah dalam pemasangan & pengoperasian.

Untuk memudahkan dalam transportasi Mesin dibagi menjadi 3 bagian :

1. Tanki dan cetakan Stainless Steel SUS 304 *)
2. Mesin (condensing unit)
3. Cooling Tower

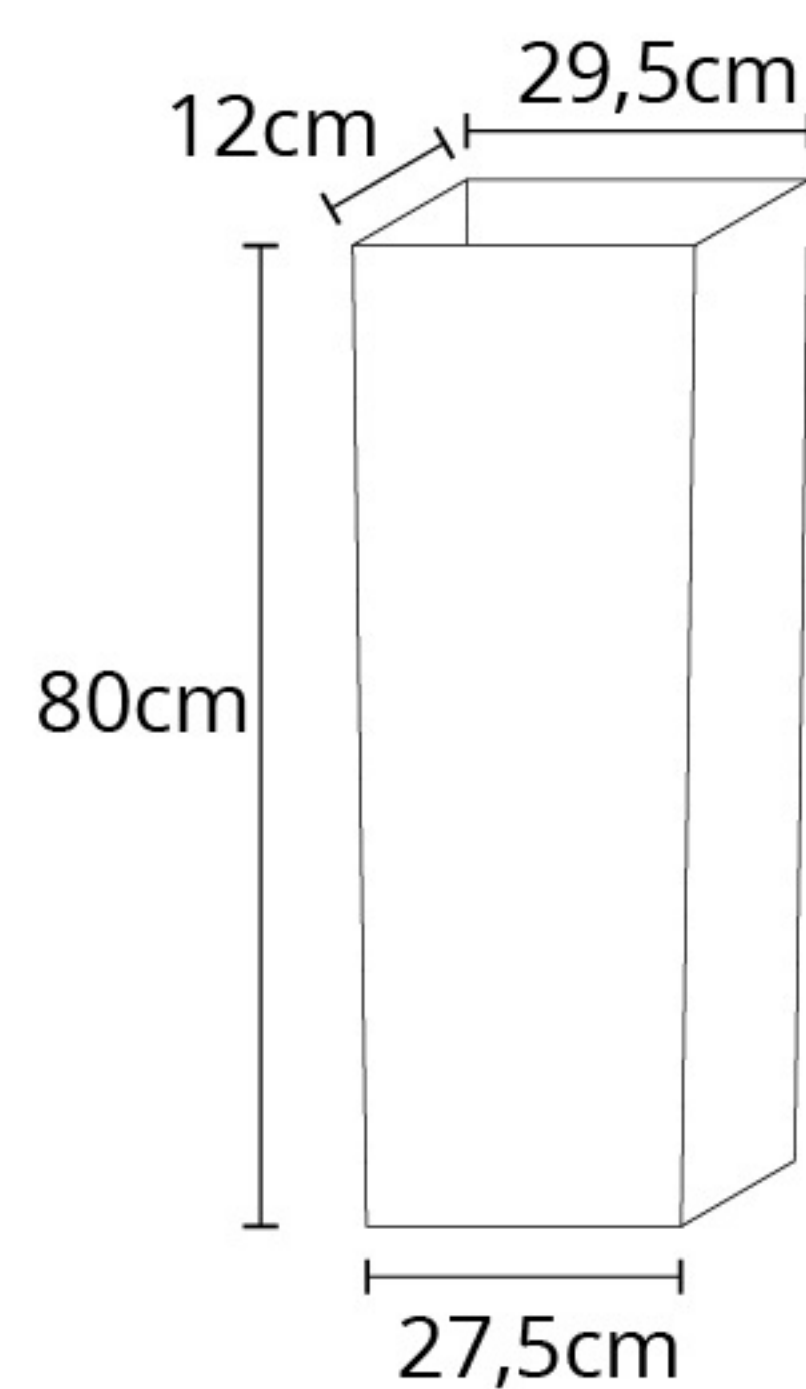
Features

- Sistem water cooling (menggunakan cooling tower)
- Refrigerant R404a (sudah diisi), cukup menghubungkan pipa air dari mesin ke tanki & cooling tower
- Compressor Bitzer 2 sets

*) Tanki diisi air garam dengan kadar keasinan 15 ~ 20% atau Propylene Glycol (zat anti beku) : **Disiapkan konsumen.**

Pondasi mesin & cooling tower disediakan konsumen

Air yang masuk ke cooling tower dan cetakan es disarankan melalui **water filter** (harga belum termasuk)



Ice Block Dimension



*) Toleransi Hasil Produksi adalah (+/-) 5% ~ 10%, tergantung pada: Tegangan listrik, suhu air masuk, ambient temperature

| TYPE | PROD. (Kg/day) | ICE CAN | | HARV. TIME (Hours) Estimate | DIMENSION (cm) | | | POWER 380V (Kw) | WEIGHT (Kg) | |
|--------|----------------|-------------|------------|-----------------------------|-----------------|---------------------|-----------------------|-----------------|-------------|---------------|
| | | Weight (Kg) | Qty. (pcs) | | Ice (L x W x H) | Machine (L x W x H) | Cooling Tower (H x Ø) | | Ma-chine | Cooling tower |
| MB-100 | 10000 | 25 | 400 | 7 | 29,5x12x80 | 910x383x315 | 205xØ165 | 38,2 | 3200 | 130 |

- * Kapasitas produksi berlaku pada kondisi temperatur ambient : +25°C, dan temperatur air : +21°C
- * Toleransi hasil produksi dipengaruhi oleh temperatur ambient dan air
- * Kejernihan es tergantung kualitas air untuk produksi
- * Biaya pemasangan 10% dari daftar harga.

www.balicoolers.com

Commercial Ice Block Machine



www.balicoolers.com

Without Brine Tank

WATER FILTER NEEDED



Terobosan teknologi baru dalam proses pembuatan es balok tanpa menggunakan media air garam, sehingga dapat mengatasi beberapa masalah klasik, seperti: pengecekan rutin salinitas air garam, korosi, bercampurnya air garam ke dalam es batu yang menimbulkan rasa asin, perlu tempat yang besar dan crane untuk panen. Teknologi baru ini memberdayakan langsung evaporator sebagai tankinya, menggunakan Motor Lifter untuk menurunkan dasar evaporator untuk proses panen es balok.

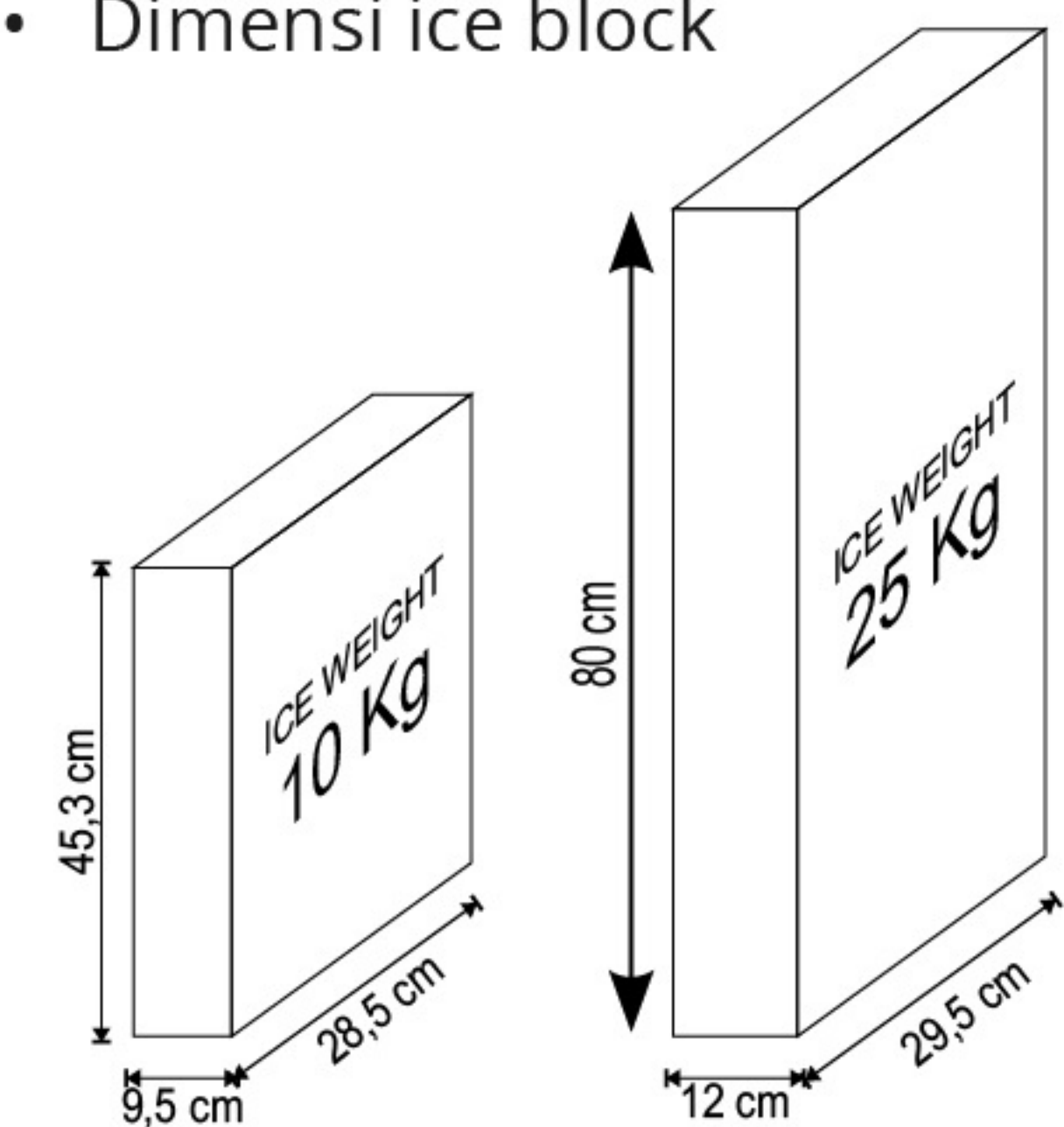
Features

- Compact unit, DK-10, DK-20 with air cooling system.
- Unit is ready to be operated when the electricity is installed.
- DK-30 ~ DK-100 with water cooling system, cooling tower and electricity installation needed.
- Space saving
- Refrigerant R404a
- Bitzer compressor

Air yang masuk ke cooling tower dan cetakan es disarankan melalui **water filter** (harga belum termasuk)



- Dimensi ice block



*) Toleransi Hasil Produksi adalah (+/-) 5% ~ 10%, tergantung pada: Tegangan listrik, suhu air masuk, ambient temperature

| TYPE | PROD /DAY | ICE Weight | ICE BLOCK QTY (Pcs) | HARV TIME Estimate | DIMENSION (cm) | | | TOTAL POWER 380V (Kw) | WEIGHT (Kg) | |
|--------|-----------|------------|---------------------|--------------------|-------------------|--------------|----------------|-----------------------|-------------|---------------|
| | | | | | Ice Block (LxWxH) | Machine | Cooling system | | Ma- chine | Cooling Tower |
| DK-10 | 1000 | 10kg | 15 | 3 | 9,5x28,5x45,3 | 325x77,2x159 | Air cool | 6 | 850 | none |
| DK-20 | 2000 | 25kg | 30 | 7 | 29,5x12x80 | 400x146x205 | Air cool | 7.88 | 1100 | none |
| DK-30 | 3000 | 25kg | 40 | 7 | 29,5x12x80 | 450x155x205 | water cool | 12.6 | 1350 | 230 |
| DK-50 | 5000 | 25kg | 70 | 7 | 29,5x12x80 | 532x156x232 | water cool | 19.5 | 1540 | 280 |
| DK-100 | 10000 | 25kg | 140 | 7 | 29,5x12x80 | 770x203x254 | water cool | 40.5 | 2180 | 350 |

* Kapasitas produksi berlaku pada kondisi temperatur ambient : +25°C, dan temperatur air : +21°C

* Toleransi hasil produksi dipengaruhi oleh temperatur ambient dan air

* Kejernihan es tergantung kualitas air untuk produksi

* GRATIS biaya instalasi untuk Type DK-10, DK-20, untuk kapasitas di atas DK-30 dikenakan biaya instalasi 10% dari daftar harga.

Block Ice Crush Machine

Mesin untuk menyerut es balok menjadi serpihan es, digunakan untuk pengawetan ikan, seafood dan lainnya. Kasing terbuat dari S/s 304.



Features

- Body: Stainless steel 304
- Copper motor
- Feeder dimension: W.55 x H.29 cm
- Castor



| TYPE | DIMENSION (cm) | | | CAPACITY (ton/24hour) | FEEDER (cm) | POWER (kW) | VOLTAGE | WEIGHT (Kg) | |
|------|----------------|----|-----|-----------------------|-------------|------------|--------------|-------------|---------|
| | L | W | H | | | | | BLOCK ICE | MACHINE |
| IC-C | 112 | 82 | 110 | 7 | ≅ 55x29 | 7,5 | 380V/3P/50Hz | ≅ 100 | 120 |

www.balicoolers.com

Tube Ice Machine

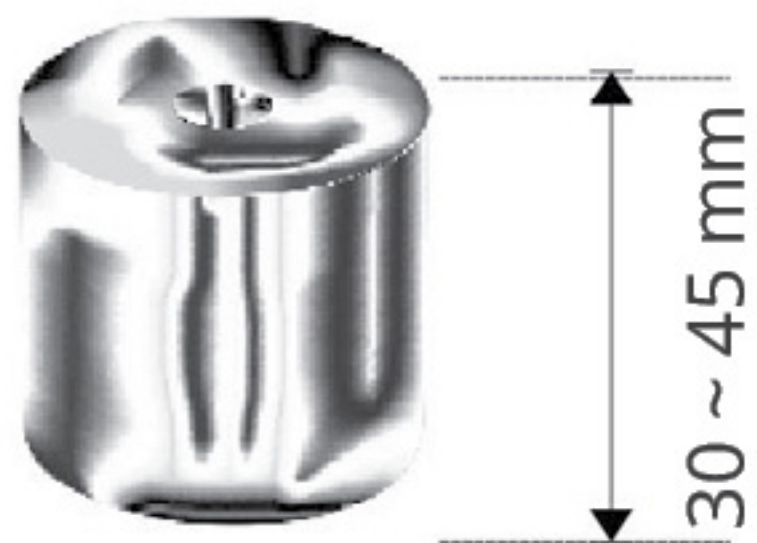
Mesin pembuat es batu yang berbentuk tabung seperti kristal. Cocok digunakan di pabrik es batu yang dijual dalam kemasan kantong.

 WATER FILTER NEEDED



Ukuran Es (pilih salah satu) **Sistem pendinginan:**
Ø 30 dan 45 mm Water Cooling System untuk type TV-20 ke atas

Refrigerant : R404a
Compressor Bitzer

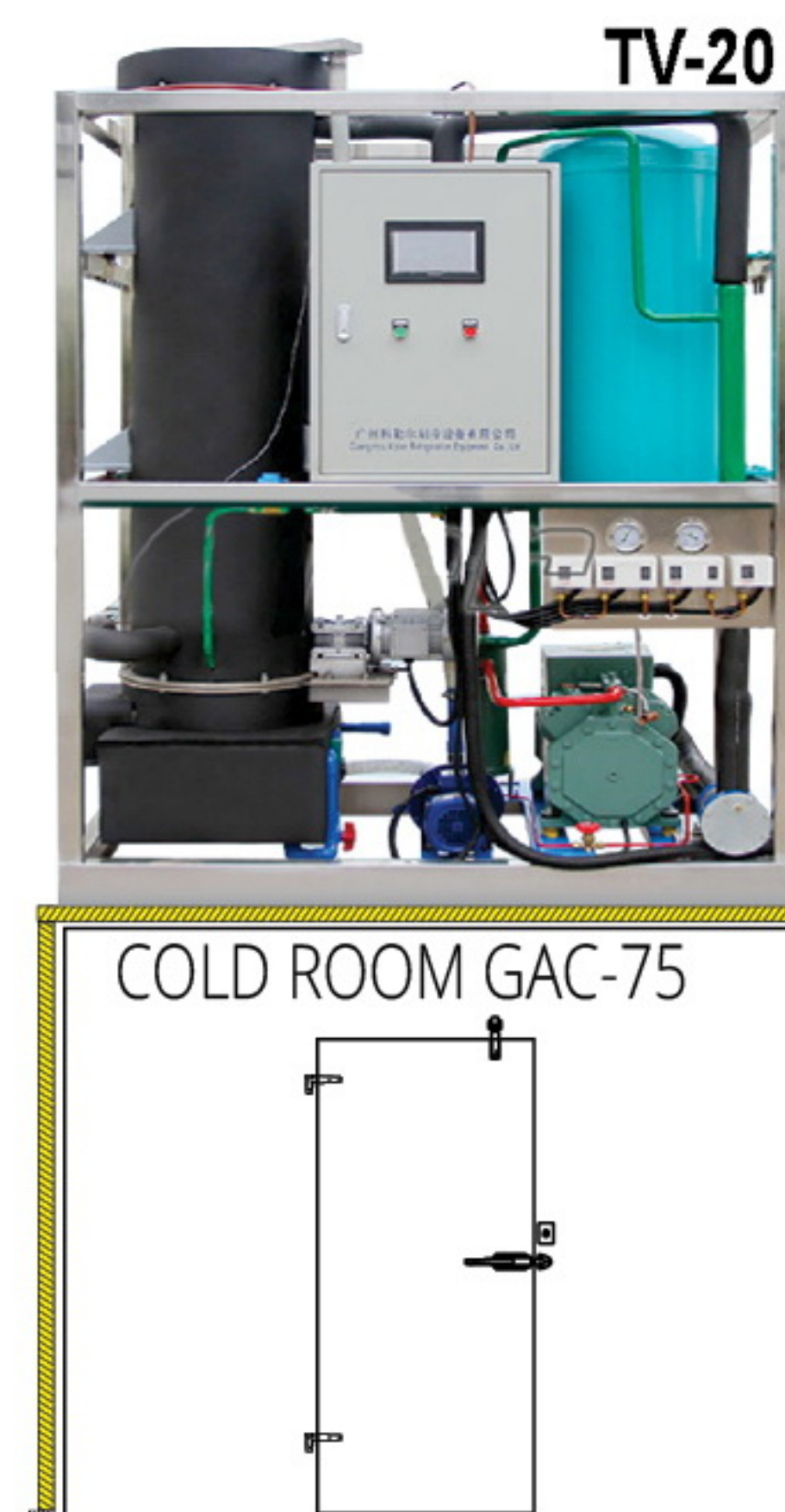


Ice Tube Size
(TV-20/30/50): Ø 28x30~45mm



TV-30

Air yang masuk ke cooling tower dan cetakan es disarankan melalui **water filter** (harga belum termasuk)



- * Biaya pemasangan 10% untuk TV-20, TV-30, TV-50 dari daftar harga
- * Harga belum termasuk water filter
- * Cold room (GAC-75) tanpa mesin pendingin untuk penampungan sementara (sudah termasuk konstruksi besi penopang mesin Ice Tube)
- * Kapasitas produksi berlaku pada kondisi temperatur ambient : +25°C, dan temperatur air : +21°C
- * Toleransi hasil produksi dipengaruhi oleh temperatur ambient dan air
- * Kejernihan es tergantung kualitas air untuk produksi.

*) Toleransi Hasil Produksi adalah (+/-) 5% ~ 10%, tergantung pada:
Tegangan listrik, suhu air masuk, ambient temperature

| TYPE | PRODUCT. CAPACITY Per/day (Kg) | DIMENSION (CM) | | | TOTAL POWER 380 (KW) | WEIGHT (Kg) | |
|-------|--------------------------------|---------------------|---------------------------|-----------------------|----------------------|-------------|---------------|
| | | Machine (L x W x H) | Evaporator (L x W x H) | Cooling Tower (H x Ø) | | Machine | Cooling Tower |
| TV-20 | 2000 | 150x125x230 | Include Machine (plug in) | 160x110 | 8 | 1100 | 220 |
| TV-30 | 3000 | 150x125x235 | | 177x117 | 11 | 1280 | 310 |
| TV-50 | 5000 | 180x135x240 | | 187x140 | 18 | 2200 | 450 |

| RECOMMENDED MACHINE | DIMENSION (CM) | | | STORAGE CAPACITY (Kg) | MOTOR (380V/3P) (Watt) |
|--------------------------------------|----------------|-----|-----|-----------------------|------------------------|
| | L | W | H | | |
| MOTORIZED BIN TV-20 | 220 | 130 | 155 | 500 | 1500 |
| MOTORIZED BIN TV-30, TV-50 | 215 | 172 | 176 | 1000 | 1500 |
| COLD ROOM GAC-75 TV-10, TV-20, TV-30 | 200 | 200 | 250 | 1500 | 2000 |

Harga di atas hanya untuk bin saja (belum termasuk mesin)

Water Filter & Ice Bin



WATER FILTER

Disarankan menggunakan Water Filter untuk memastikan produk es lebih higienis pada campuran minuman. Dengan penggunaan water filter, sumber air akan bebas dari sedimen (endapan) dan mengurangi kadar mineral, sehingga mesin lebih terjaga dan tahan lama. Dilengkapi fitur 3 tingkat penyaringan, inlet dan outlet berukuran 1/2" (termasuk selang).

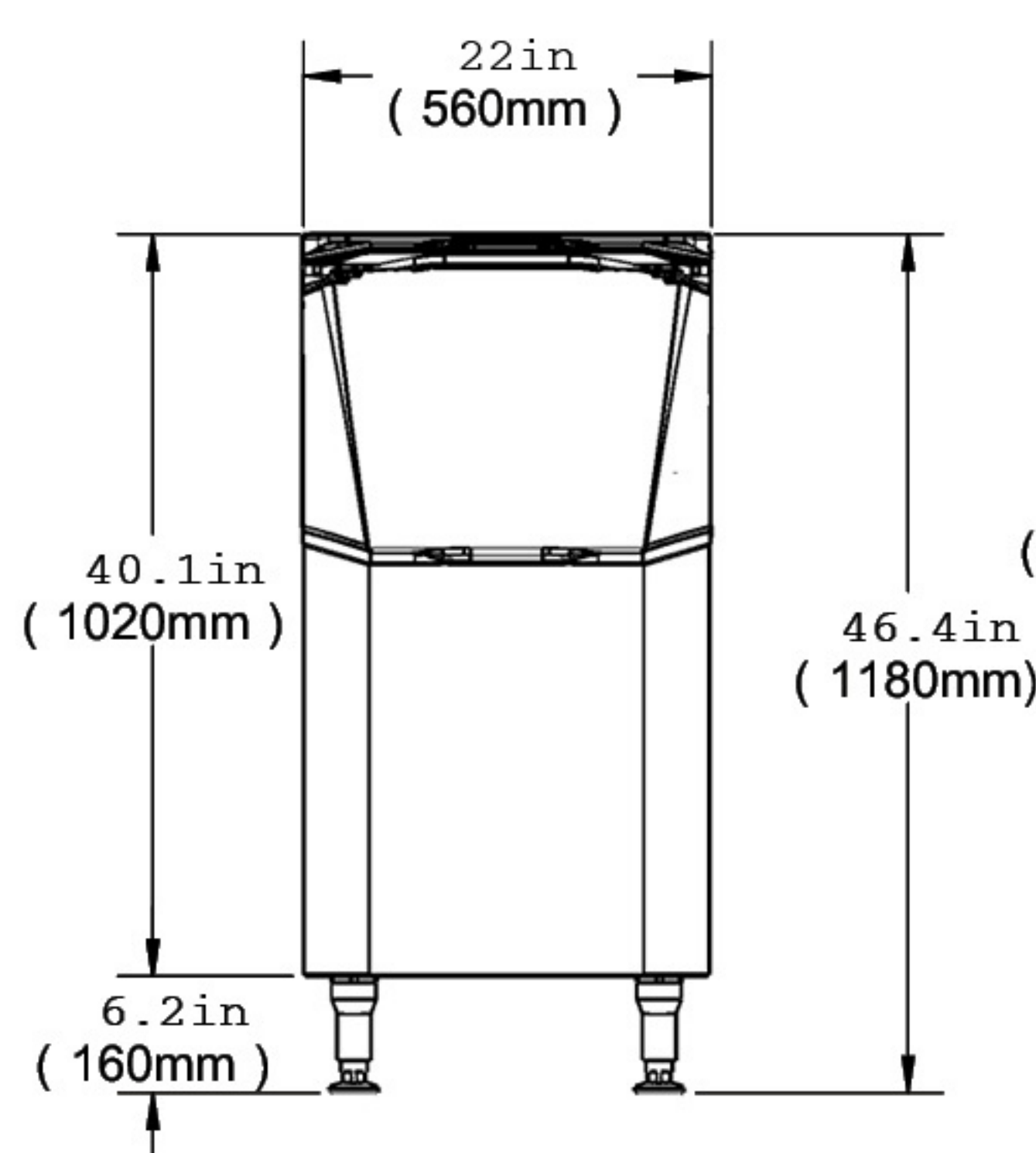


| | |
|-----------------------------------|----------------------|
| DIMENSION (L x W x H) (cm) | 42 x 21 x 72 |
| PRESSURE (psi) | 15-125 |
| CAPACITY (L/min) | 3,8 (0,2 Mpa) |
| CARTRIDGE SIZE | 20" x 3 |
| WEIGHT (kg) | 11 / 12 |

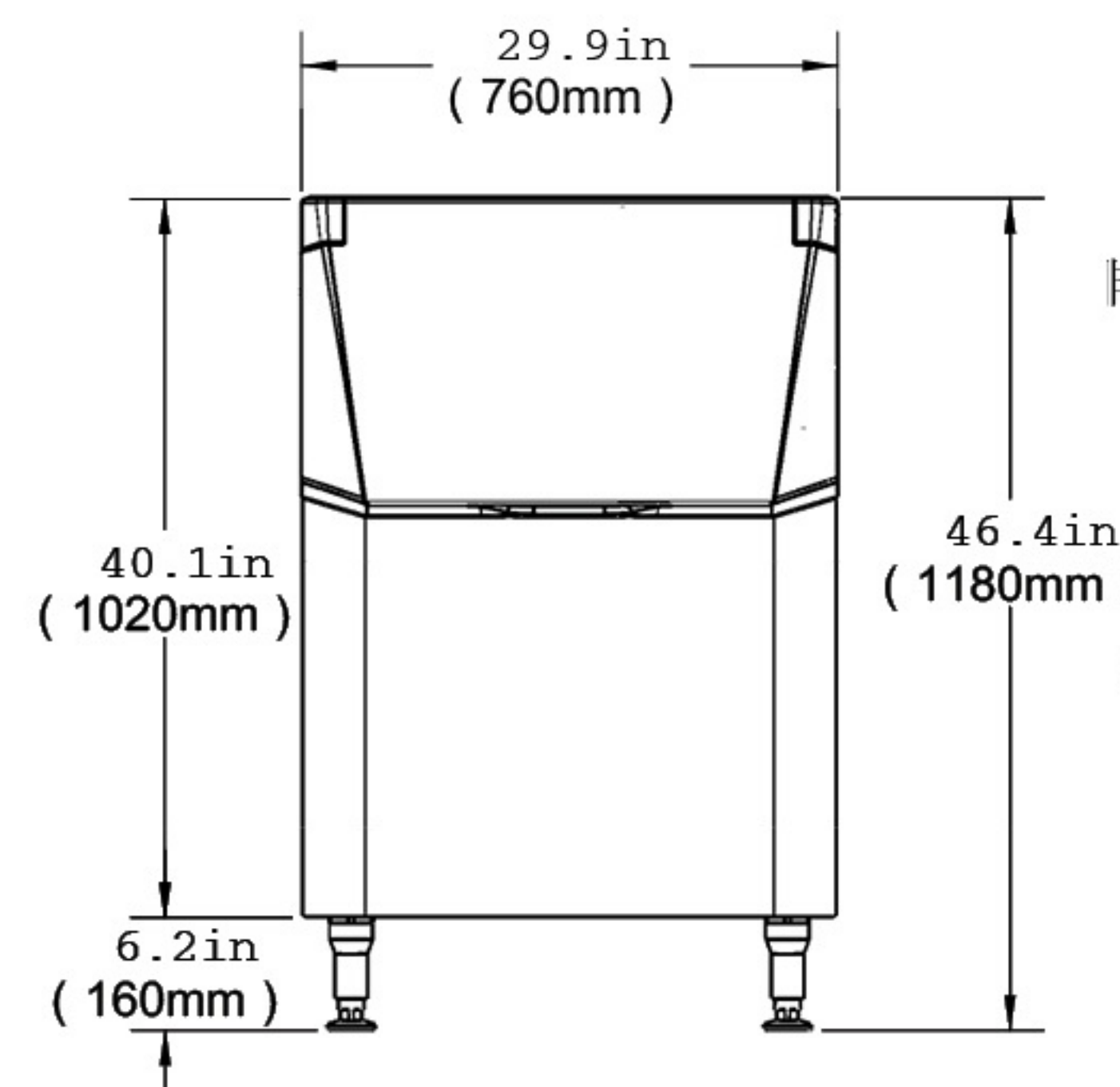
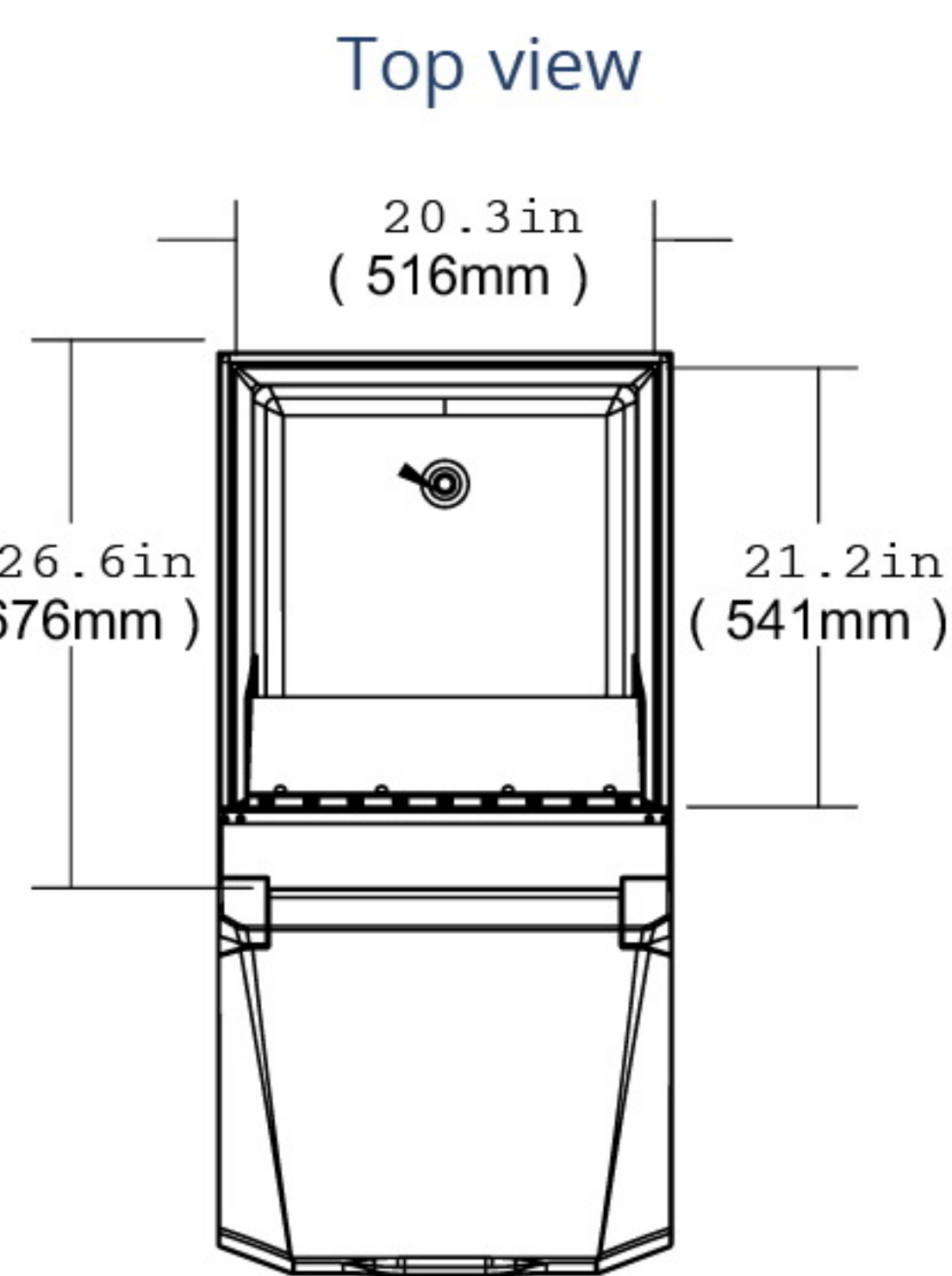
1. Polypropylene Filter
2. Active Carbon Filter
3. Resin Ion Exchange Filter (harus dicuci dengan air garam sebulan sekali untuk meregenerasi)

ICE BIN

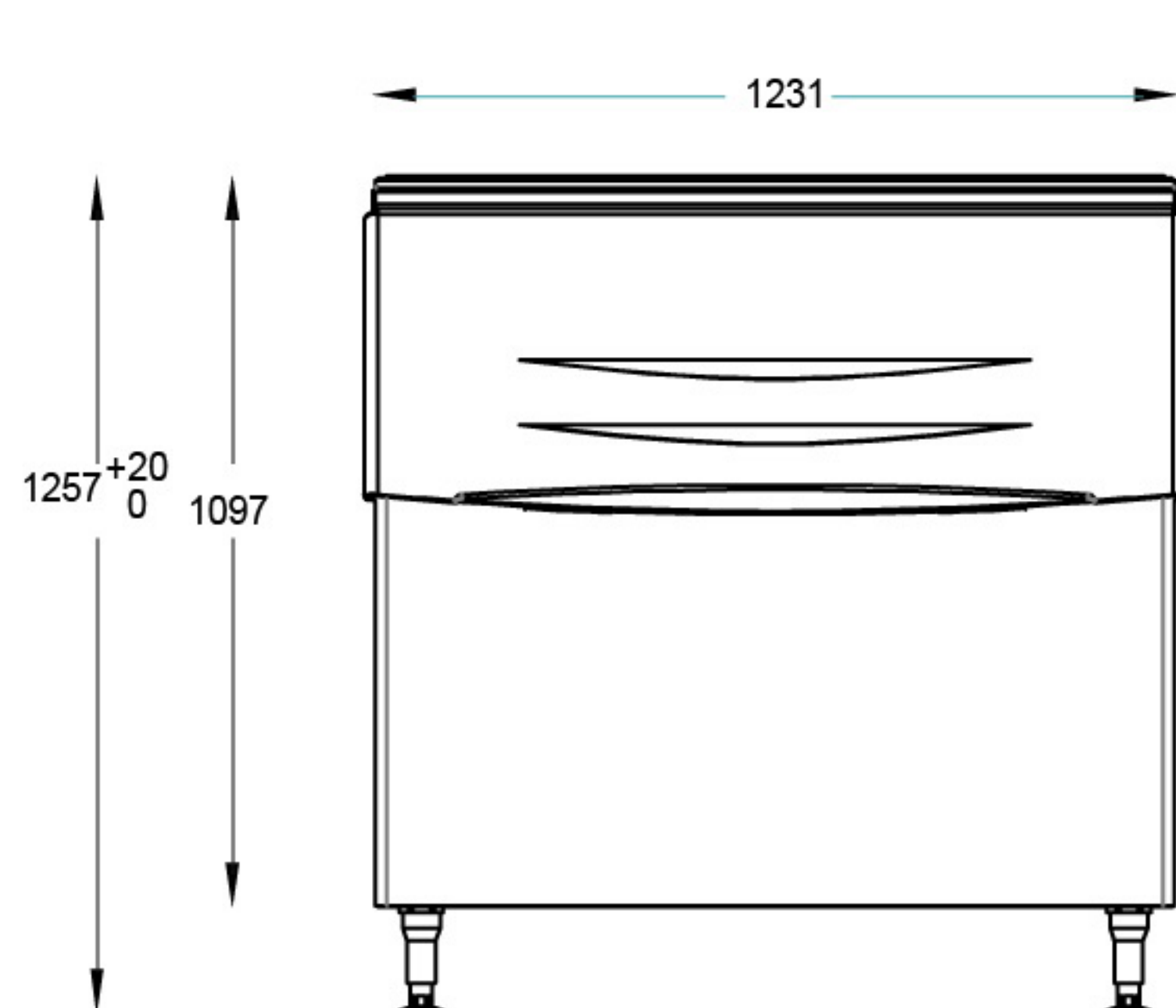
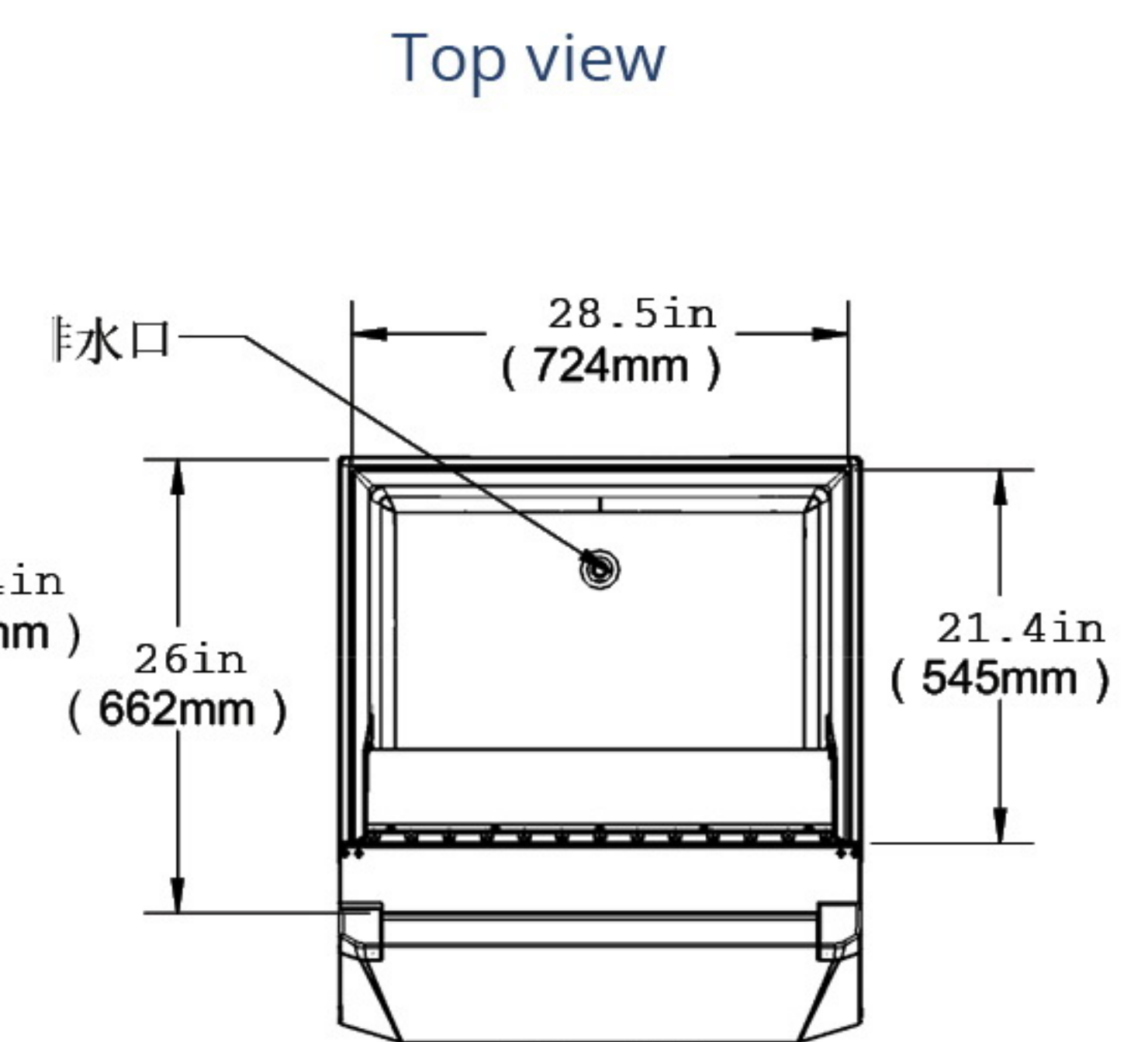
www.balicoolers.com



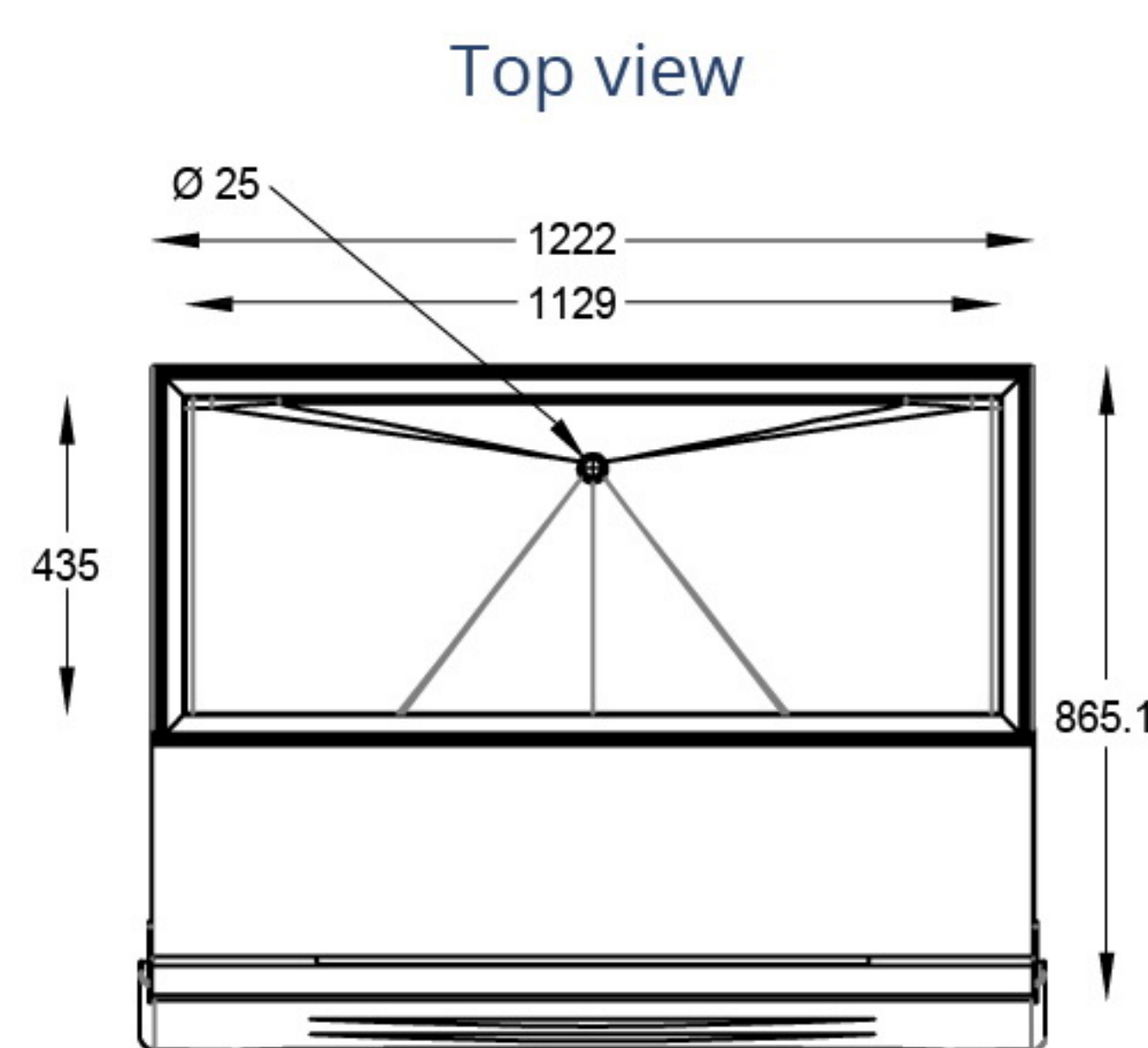
TFB-150SN



TFB-200SN



TFB-350SN



Cold Room for Ice Cube / Tube Storage



ALUR PRODUKSI ICE TUBE ATAU ICE CUBE HINGGA DISTRIBUSI

1.



Panen ice cube / ice tube.

2.



Hasil produksi ice tube atau ice cube maker dimasukkan ke dalam wadah/kemasan.

3.



Ditimbang.

| DIMENSION (cm) | | | VOLUME (m ³) | CAPACITY (kg) | CONDENSING UNIT (R404a) TYPE |
|----------------|-----|-----|-----------------------------|------------------|---------------------------------|
| L | W | H | | | |
| 200 | 200 | 250 | 7,5 | 1500 | LUHP-015BD2Z |
| 300 | 200 | 250 | 11,6 | 4500 | LUHP-025BS2Z |
| 400 | 300 | 250 | 24,5 | 6400 | LUHP-030BS2Z |





4.



Dikemas / disegel.

5.



Didistribusikan.

6.



Disimpan di cold room,
dengan temperatur -10° C.

| EVAPORATOR TYPE | CURTAIN DIM. (cm) | | FOR ICE TUBE/CUBE (Match Type) | VOLTAGE |
|-----------------|-------------------|-----|-----------------------------------|---------|
| | W | L | | |
| DEF-10 | 75 | 180 | TV-20 / CV-3000 | 220V/1P |
| DJ15 | 75 | 180 | TV-30 / CV-5000 | 220V/1P |
| DJ20 | 75 | 180 | TV-50 / CV-8000 | 380V/3P |



GEA[®]

bali
coolers
www.balicoolers.com

