



GETRA[®]

Fruits &
Vegetables
Processing
Equipment



Vegetables Cutter

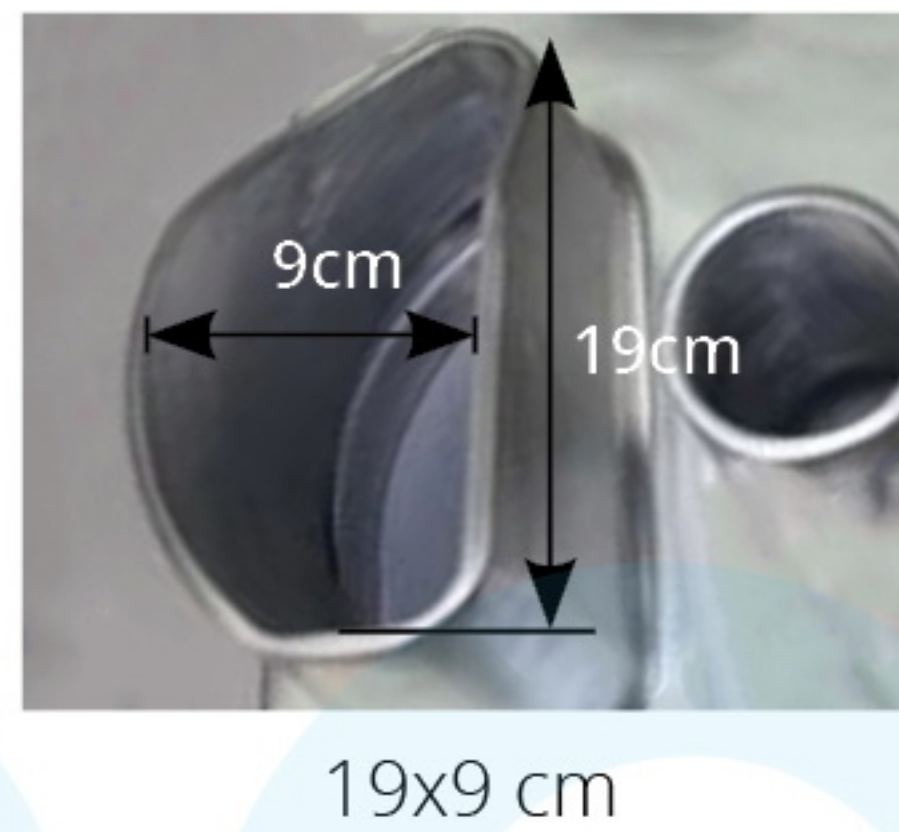
Mesin untuk memotong, mengiris, dan memarut buah maupun sayuran dengan berbagai bentuk ukuran dan potongan.



Semi Circular Hopper

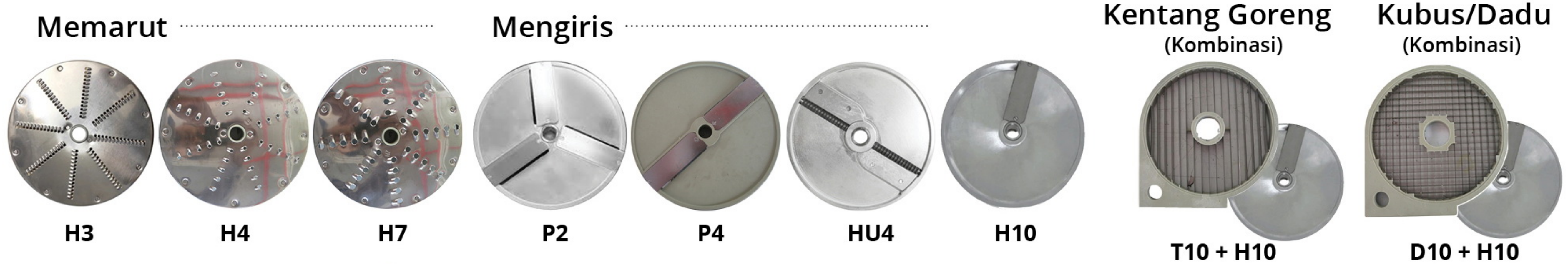


HLC-300



| TYPE | DIMENSION (cm) | | | ØKNIFE/ DISC (cm) | PRODUCTION CAPACITY | WATT | VOLTAGE | WEIGHT (kg) NW/GW |
|---------|----------------|----|----|-------------------------|------------------------|-------|--------------|-------------------------|
| | L | W | H | | | | | |
| HLC-300 | 23 | 57 | 51 | 20 | 300 Kg/hour | 550 W | 220V/1P/50HZ | 22,5 / 25,5 |

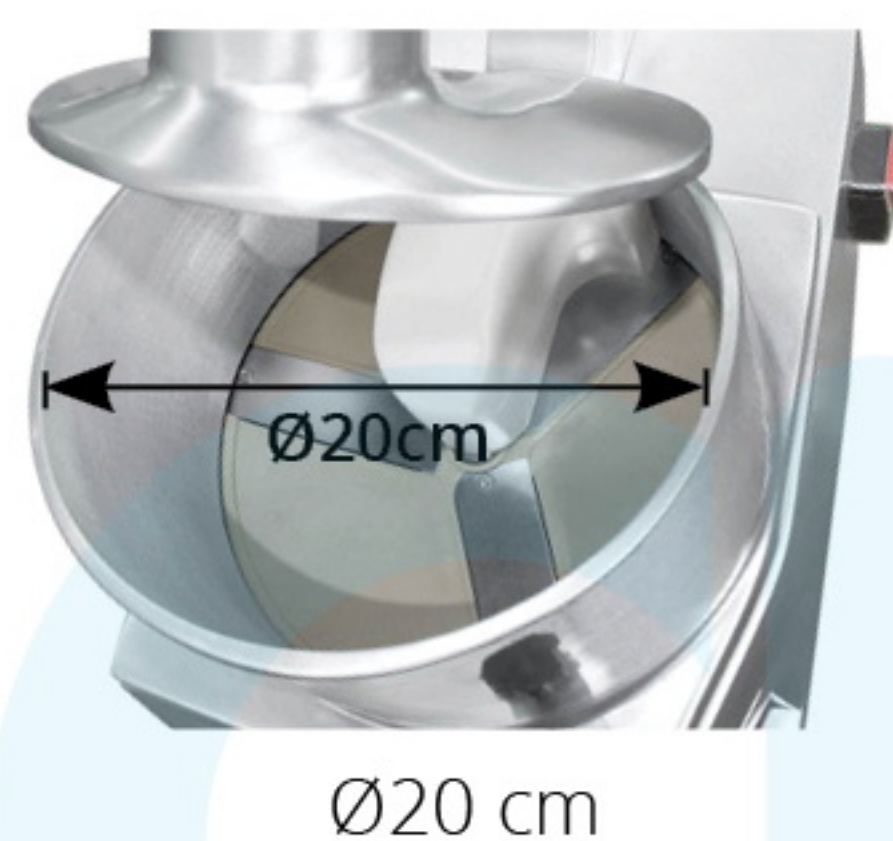
Jenis Pisau (HLC-300 / HLC-300AL)



Circular Hopper



HLC-300AL



Features

- Multi-function: slicing, grating, chopping
- Safety protection lock
- Waterproof switch
- Includes 9 blade discs
- Feet, pusher
- Motor/machine speed: 1400 / 270 rpm

| TYPE | DIMENSION (cm) | | | ØKNIFE/ DISC (cm) | PRODUCTION CAPACITY | WATT | VOLTAGE | WEIGHT (kg) NW/GW |
|-----------|----------------|----|----|-------------------------|------------------------|-------|--------------|-------------------------|
| | L | W | H | | | | | |
| HLC-300AL | 27 | 61 | 62 | 20 | 300 Kg/hour | 550 W | 220V/1P/50Hz | 23,2 / 25,2 |

Fruits & Vegetables Cutter



Mesin untuk memotong, mengiris, dan memarut buah maupun sayuran dengan berbagai bentuk ukuran dan potongan. Material terbuat dari stainless steel, menjaga agar produk yang dihasilkan tetap higienis. Bisa juga digunakan untuk memotong keju, almond, coklat batangan, dan bread-crumb.



Semi Circular Hopper



| TYPE | DIMENSION (cm) | | | Ø KNIFE/ DISC (cm) | PRODUCTION CAPACITY | WATT | VOLTAGE | WEIGHT (kg) |
|--------|----------------|------|------|-----------------------|------------------------|------|---------------|----------------|
| | L | W | H | | | | | |
| VC60MS | 31,5 | 65,5 | 53,5 | 20,4 | 150 kg/hour | 550 | 220 V/50Hz/1P | 24,5 / 29 |

Jenis Pisau (VC-60MS & VC-65MS):

Memarut



G002
1 mm

G003
2 mm

G005
3 mm

Mengiris



SA-001
1 mm

SA-002
2 mm

SA004
4 mm

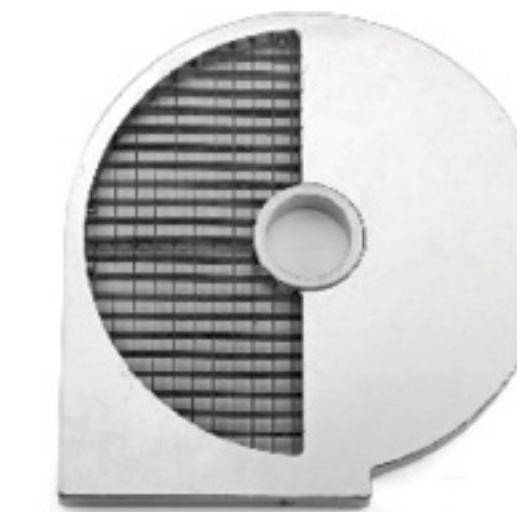
SA010
10 mm

Kentang Goreng



FS-100
dikombinasikan SA010

Kubus/Dadu



DS-1000
+ SA010

Circular Hopper



Features

- Serbaguna : Mengiris, Memarut, Memotong
- Heavy duty machine & Low noise
- Stainless steel + base
- Magnetic safety defice
- Cakram pisau bisa diganti sesuai kebutuhan
- Lubang bulat diameter 17 CM

| TYPE | DIMENSION (cm) | | | Ø HOLE/ DISC (cm) | PRODUCTION CAPACITY | WATT | VOLTAGE | WEIGHT (kg) |
|--------|----------------|------|------|----------------------|------------------------|------|---------------|----------------|
| | L | W | H | | | | | |
| VC65MS | 32,5 | 65,5 | 53,5 | 17 | 200 kg/hour | 750 | 220 V/50Hz/1P | 26 / 28 |

Coconut Milk Extractor

GETRA

SERI LZ

bali
coolers
www.balicoolers.com

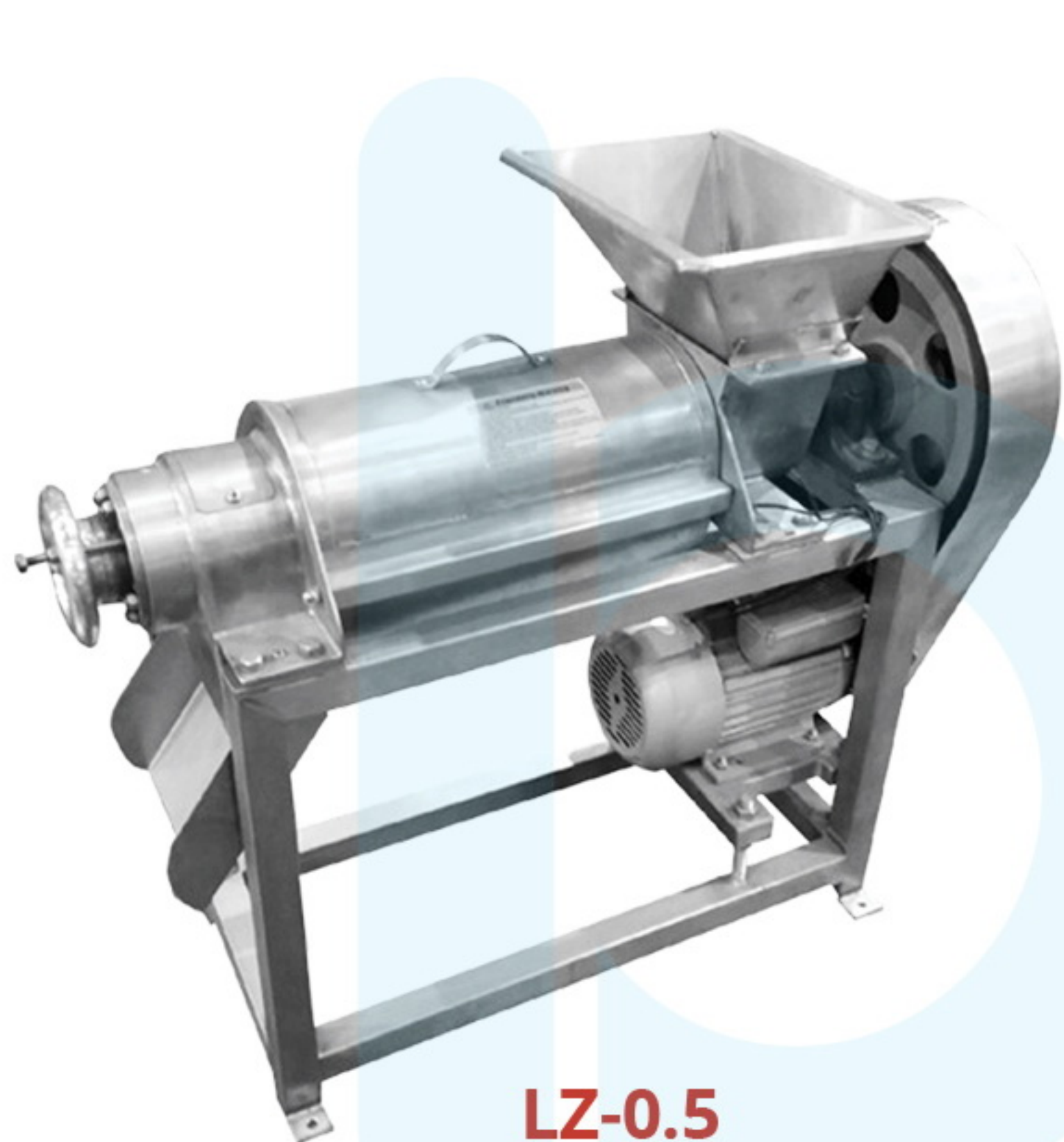


Mesin yang digunakan untuk memeras kelapa yang sudah diparut dan menghasilkan ampas dan santan terpisah. Bisa juga digunakan untuk memeras buah lain untuk diambil sarinya, seperti: apel, nanas, buah merah, dan mengkudu.

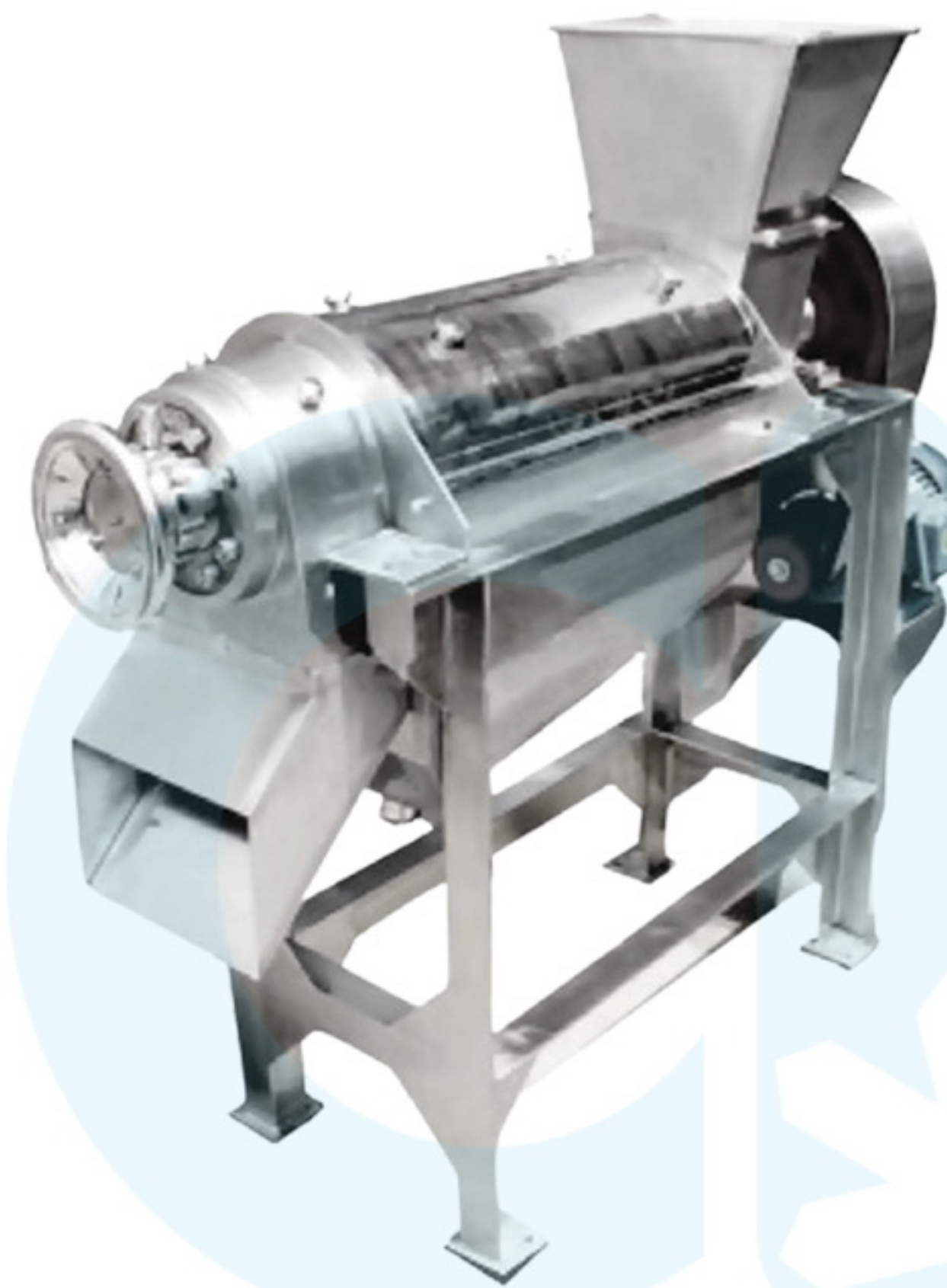


Features

- Spiral propelling & extruding
- Sari & ampas terpisah otomatis
- Body stainless steel



LZ-0.5



| TYPE | DIMENSION (cm) | | | CAPACITY (/hour) | | WATT | VOLTAGE | NW/GW (Kg) |
|--------|----------------|----|-----|------------------|------------------|-------|---------|------------|
| | L | W | H | Coconut (Kg) | Coconut Milk (L) | | | |
| LZ-0.5 | 80 | 32 | 75 | 200~250 | 40 ~ 50 | 1500 | 220 V | - |
| LZ-1.5 | 130 | 55 | 135 | 1000-1500 | 120 ~ 150 | 4000 | 380 V | 230 / 250 |
| LZ-2.5 | 220 | 60 | 156 | 1800~2250 | 300 ~ 450 | 11000 | 380 V | - |

Cheese Grater

Mesin pematut keju;
Hasil parutan kecil-kecil (Parmesan), u/ hasil parutan kecil-panjang gunakan Vegetable Cutter (VC-65MS)



CG55-SH



Features

- Polished aluminum
- Stainless steel roller
- Lower protection grid
- Grater presser lever switch
- Self-ventilated motor



| TYPE | DIMENSION (cm) | | | CAPACITY (kg/hour) | WATT (220V/1P) | WEIGHT (kg) Nett Gross |
|---------|----------------|----|----|--------------------|----------------|--------------------------|
| | L | W | H | | | |
| CG55-SH | 44 | 29 | 50 | 40 | 550 | 16 / 17,5 |

Double Head Corm, Root Vegetable Cutter

Mesin potong multi-fungsi kapasitas besar bisa memotong, mengiris, dan memarut. satu Sisi-1 untuk sayuran berdaun, seperti : sawi, kangkung, bayam, bawang panjang, bawang putih, daun bawang, seledri, kubis.

Sisi-2 : Umbi-umbian, sayuran berakar dan buah, seperti lobak, kentang , ubi jalar, talas, rebung, bawang merah, terong, apel, jahe.



SH-112

Features

- 2 heads & 2 hoppers
- Stainless steel body
- Horsepower : 2,5HP
- Leafy vegetable cutting size : 2mm ~ 60mm (adjustable)
- Slicing : 3mm
- Shredding : 3mm
- Dicing : 10mm
- Circular cutting disc speed controlling knob
- Emergency stop button
- Cutting speed knob
- Conveyor belt speed controlling knob



Optional Fruit Roots Blade (Exclude)

- Slice Blade : 2mm, 4mm, 5mm, 6mm, 7mm, 8mm, 9mm, 10mm
- Shred Blade : 2mm, 4mm, 5mm, 6mm, 7mm, 8mm, 9mm, 10mm
- Dice Blade : 8mm, 12mm, 15mm, 20mm

Note : Blade per harga satuan ukuran

| TYPE | DIMENSION (cm) | | | CAPACITY (Kg/hour) | POWER (Watt) | VOLTAGE | NW/GW (kg) |
|--------|----------------|----|-----|--------------------|--------------|--------------|------------|
| | L | W | H | | | | |
| SH-112 | 118 | 55 | 102 | 600 ~ 1000 | 1875 | 220V/1P/50Hz | 150 / 195 |

Fruits & Vegetables Cutter Single Head Corm & Root Vegetable Cutter

Untuk sayuran berakar dan buah-buahan, seperti lobak, kentang, ubi jalar, talas, rebung, bawang, terong, apel, jahe, pepaya, nanas, dll.

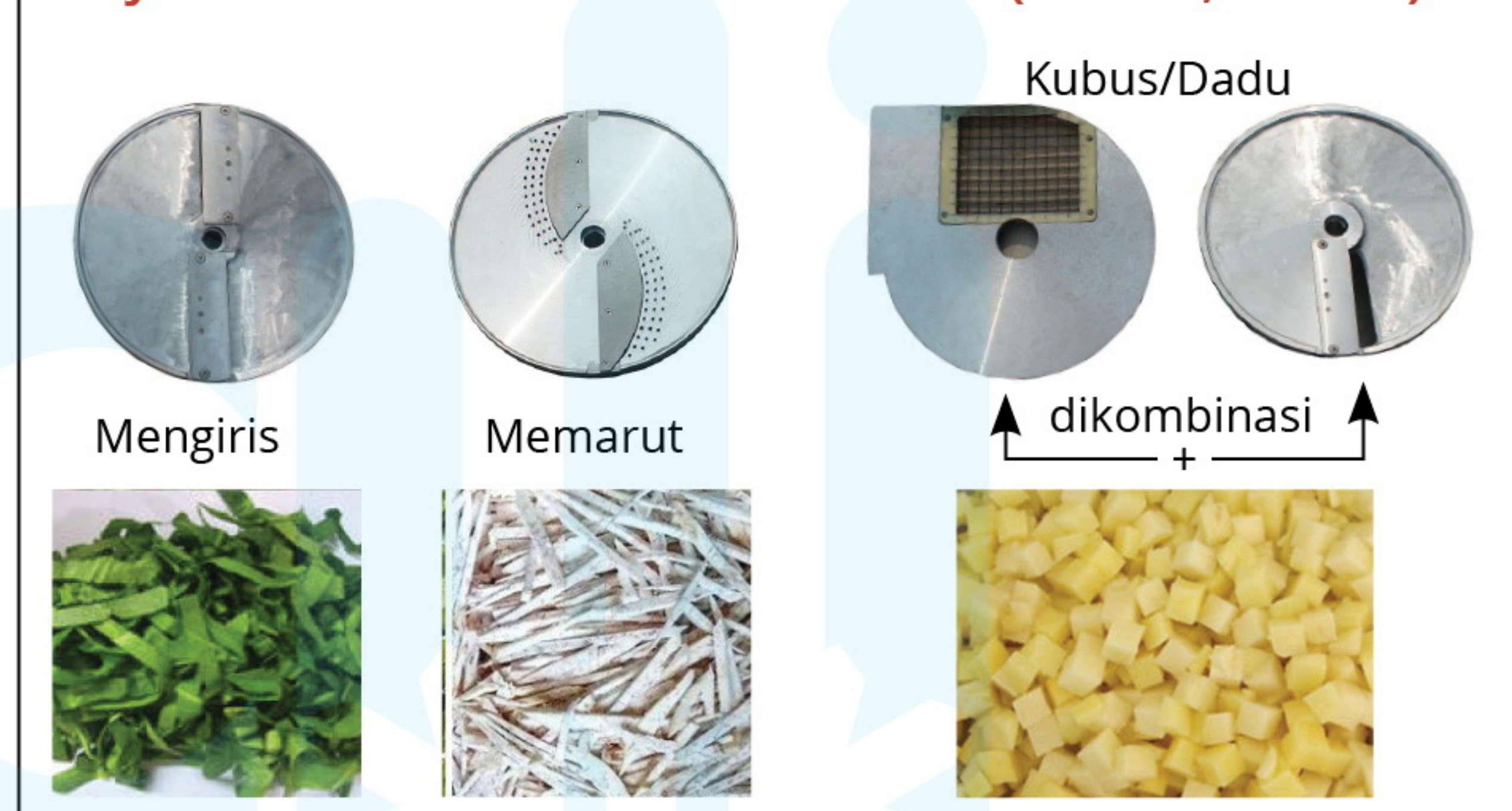


SH-100

Features

- Slicing : 3mm
- Shredding : 3mm
- Dicing : 10mm
- Stainless steel body
- Handle bar
- Wheels

Jenis Pisau / Fruit Roots Blade Set (SH-112, SH-100)



Optional Fruit Roots Blade (Exclude)

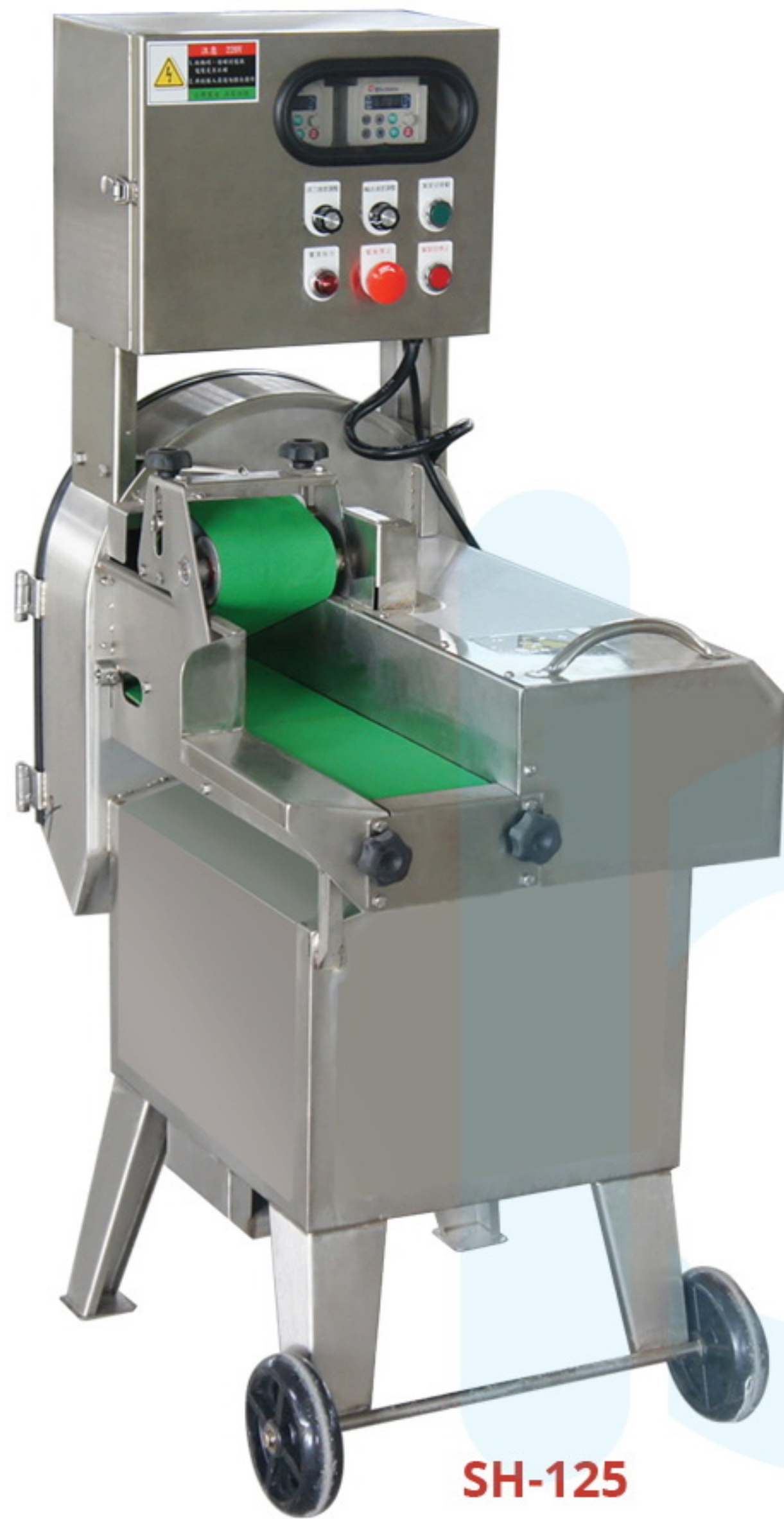
- Slice Blade : 2mm, 4mm, 5mm, 6mm, 7mm, 8mm, 9mm, 10mm
- Shred Blade : 2mm, 4mm, 5mm, 6mm, 7mm, 8mm, 9mm, 10mm
- Dice Blade : 8mm, 12mm, 15mm, 20mm

Note : Blade per harga satuan ukuran

| TYPE | DIMENSION (cm) | | | CAPACITY (Kg/hour) | POWER (Watt) | VOLTAGE | WEIGHT (kg) |
|--------|----------------|----|----|--------------------|--------------|--------------|-------------|
| | L | W | H | | | | |
| SH-100 | 76 | 55 | 93 | 300 ~ 1000 | 750 | 220V/1P/50Hz | 60 |



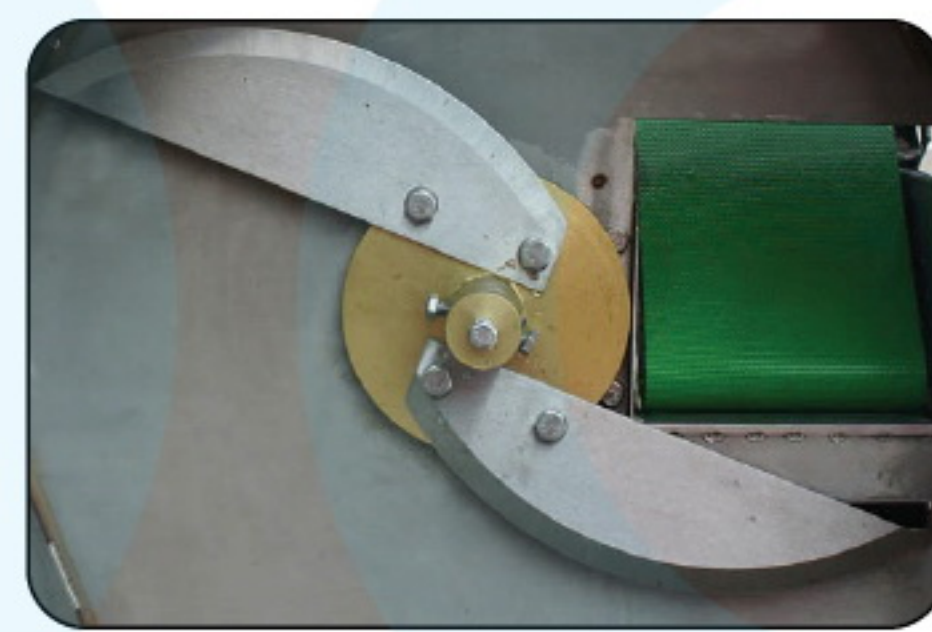
Mesin khusus untuk mengiris sayuran berdaun kapasitas besar, seperti : sawi, kangkung, bayam, bawang panjang, bawang putih, daun bawang, seledri, kubis, fenugreek, daun mint, wortel, mentimun, labu, okra, kacang Prancis, dll.



SH-125

Features

- Stainless steel body
- Adjustable cutting size : 2 ~ 60mm
- Conveyor belt speed controller knob
- Cutting speed controller knob
- Emergency stop button
- Conveyor belt width : 125mm
- Magnetic control protection switch



Knife / Blade Cutting



Pisau made in Taiwan

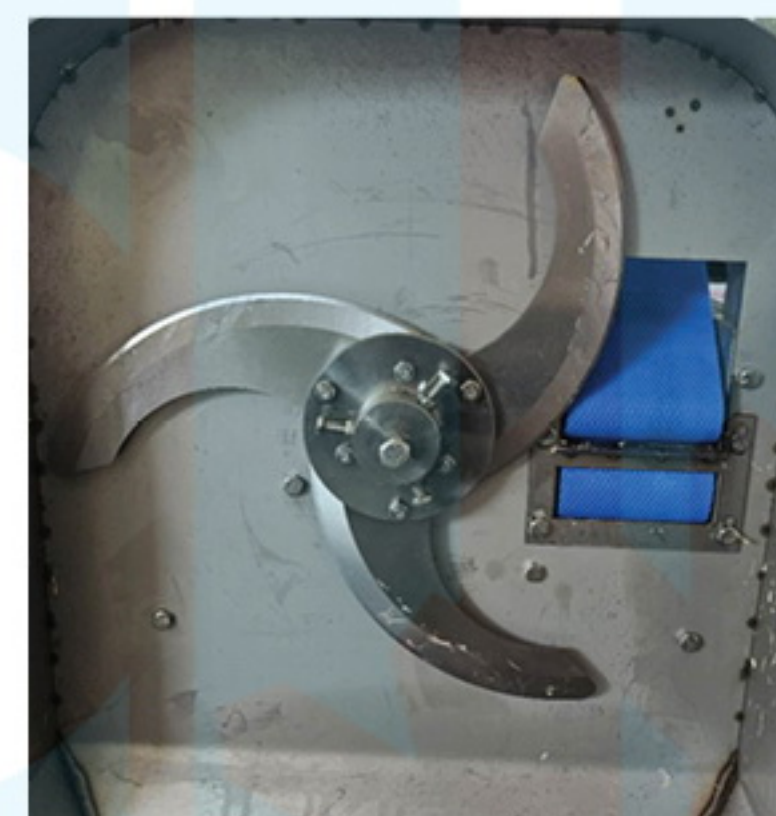
| TYPE | DIMENSION (cm) | | | CAPACITY (Kg/hour) | POWER (Watt) | VOLTAGE | WEIGHT (kg) |
|--------|----------------|----|-----|-----------------------|-----------------|--------------|----------------|
| | L | W | H | | | | |
| SH-125 | 76 | 56 | 135 | 600 ~ 1000 | 1125 | 220V/1P/50Hz | 78 |



YF-QC70

Features

- Stainless steel body
- Analog speed controller
- Power switch
- Thickness : 2 ~ 23mm (adjustable)
- Safety clip, Sharp blade
- Conveyor width : 8cm



| TYPE | DIMENSION (cm) | | | CONVEYOR WIDTH (mm) | PRODUCTION CAPACITY (kg/hour) | WATT | VOLTAGE | WEIGHT (kg) |
|---------|----------------|----|----|---------------------------|-------------------------------------|------|---------------|----------------|
| | L | W | H | | | | | |
| YF-QC70 | 53 | 45 | 61 | 80 | 350 | 180 | 220 V/50Hz/1P | 30 / 35 |

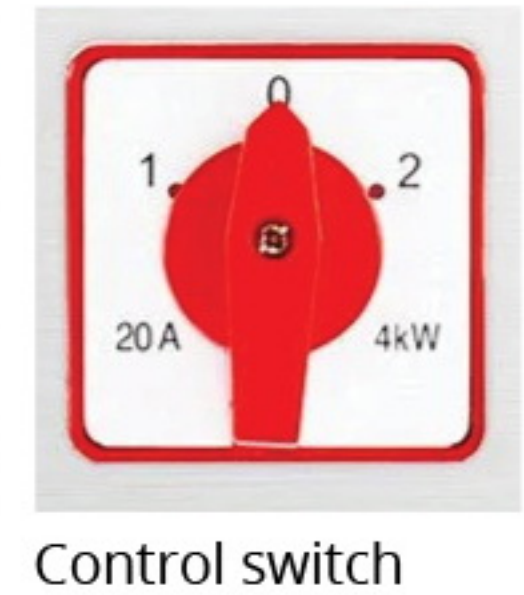
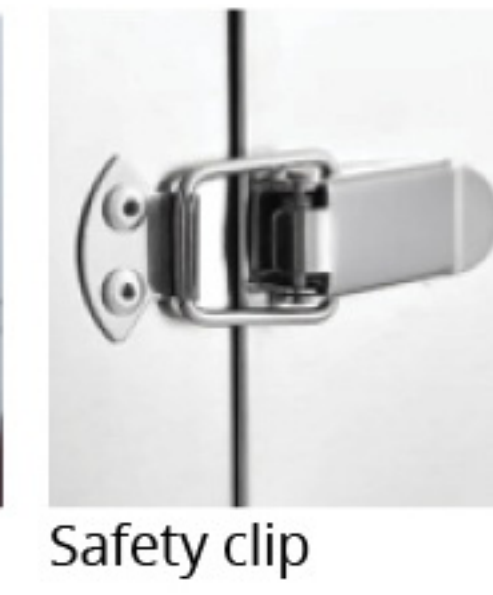
Vegetables Slicer

GETRA

bali
coolers
www.balicoolers.com



Mesin ini khusus memotong sayuran, umbi-umbinan dan buah-buahan keras, seperti kentang, wortel, lobak; Tidak diperuntukan sayuran luno, seperti: sayuran hijau, paprika hijau, dll.



YF-20

Features

- Stainless steel body
- Control switch: 1.slice, 2.shred, 0.stop
- Thickness : 1,5 ~ 3mm (adjustable)
- 2 hole : slicing & shredding (12x13cm)
- Safety clip & net cover
- Sharp blade
- Speed : 460 rpm



| TYPE | DIMENSION (cm) | | | SLICING HOLE (cm) | PRODUCTION CAPACITY (kg/hour) | WATT | VOLTAGE | WEIGHT (kg) |
|-------|----------------|----|----|-------------------|-------------------------------|------|---------------|-------------|
| | L | W | H | | | | | |
| YF-20 | 34 | 41 | 65 | 12x13 | 200 | 1100 | 220 V/50Hz/1P | 35 / 43 |

Universal Fritter

Mesin Pelumat Kacang-kacangan, Bawang, Daging, Cabe dll.



HR-6

Features

- Adjustable Speed
- Full stainless steel body
- Safety cut-off open door, arm lock
- Switch ON-OFF
- Portable, non sleep feet, transparant cover lid



HR-9

| TYPE | DIMENSION (cm) | | | BIN CAPACITY | SPEED (rpm) | POWER (220V/1P) | NW/GW (kg) |
|------|----------------|------|------|--------------|-------------|-----------------|-------------|
| | L | W | H | | | | |
| HR-6 | 52,3 | 31,6 | 39,4 | 3,5 L | 1100 ~ 2800 | 1800 W | 18,6 / 20,6 |
| HR-9 | 52,3 | 31,6 | 44,4 | 4,6 L | 1000~2500 | 1800 W | 20,4 / 22 |



Fritter

Single Speed

Mesin Pelumat Kacang-kacangan,
Bawang, Daging, Cabe dll.



Features

- Single speed fritter
- Stainless bowl & knife
- Powerfull & ventilated motor
- Transparant lid
- Scrapper included

Note:

production capacity bervariasi tergantung jenis bahan yang dilumat

| TYPE | DIMENSION (cm) | | | BOWL CAPACITY | PRODUCTION CAPACITY | SPEED (rpm) | POWER (220V/1P/50Hz) | WEIGHT (kg) Nett Gross |
|----------|----------------|------|------|---------------|---------------------|-------------|----------------------|-----------------------------|
| | L | W | H | | | | | |
| LFC-8V1 | 43,5 | 43,5 | 67 | 8 L | 3/30 kg/second | 1500 | 800 W | 21,8 / 23,3 |
| LFC-18V1 | 49,5 | 45,5 | 79,5 | 18 L | 8/30 kg/second | 1500 | 1500 W | 29 / 30,5 |

Potato Peeler

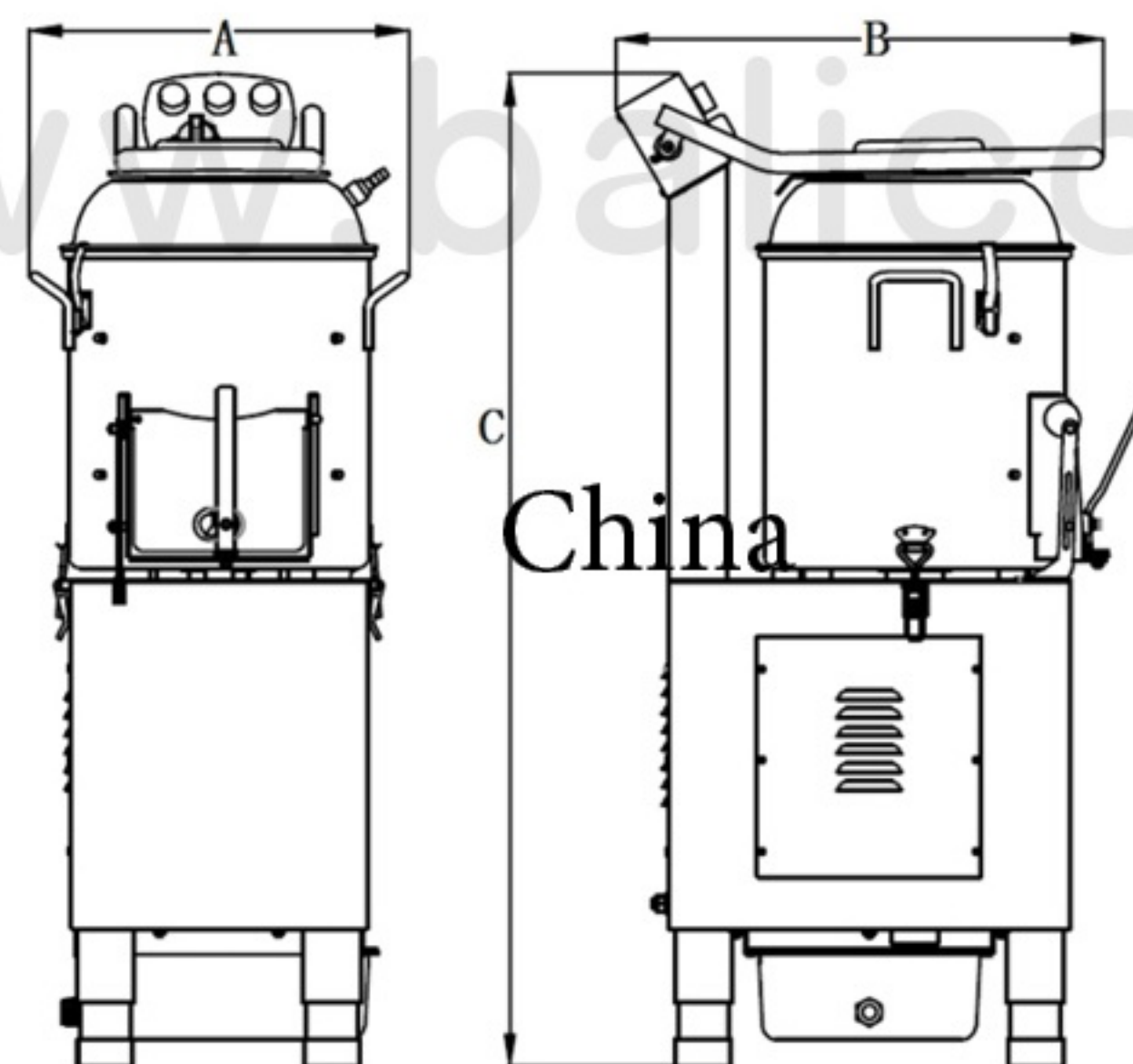
Mesin Pengupas Kentang, Ubi dalam keadaan mentah



Kabinet dari besi yg dicat



ATP8P



China



HLP-15

Features

- Body stainless steel
- S/s drain pan, hose
- Potato peeling disc, brusher
- Inner drum wall is coated with grinding surface
- S/s residue tray, transparent cover
- Out, start, stop & timer knob



S/s residue tray



Potato peeling disc



Brusher

| MODEL | DIMENSION (cm) | | | PRODUCTION CAPACITY | VOLUME (L) | VOLTAGE | WATT | WEIGHT (kg) Nett Gross |
|--------|----------------|------|-------|---------------------|------------|--------------|------|-----------------------------|
| | L | W | H | | | | | |
| ATP8P | 46 | 43,5 | 81,7 | 8 kg /2 mins | - | 220V/50Hz/1P | 1100 | 58 / 72 |
| HLP-15 | 60 | 44 | 107,5 | 165 Kg/hour | 15 | 220V/50Hz/1P | 750 | 58,4 / 76,4 |

Orange Presser

Mesin peras jeruk otomatis



WDF-OJ150

Features

- Safety cut out switch
- Body Stainless Steel

Hand Juicer

Mesin peras jeruk manual



WM-1078

Features

- Mangkok & press S/s 304
- Handle aluminium



ET-5015.N

Features

- Body cast iron
- Mangkok & press stainless steel

| MODEL | DIMENSION (cm) | | | WATT | VOLTAGE | CAPACITY | NW/GW (kg) |
|-----------|----------------|----|------|------|--------------|-----------|------------|
| | L | W | H | | | | |
| WDF-OJ150 | 42 | 35 | 77 | 200 | 220V/50HZ/1P | 20~25 pcs | 39 / 42 |
| WM-1078 | 18 | 14 | 36,5 | - | - | 1 pcs | 1,6 / 1,95 |
| ET-5015.N | 21 | 17 | 40 | - | - | 1 pcs | 6,2 / 6,8 |



Juice Extractor

- Otomatis memisahkan sari dengan ampas
- Mesin untuk membuat juice buah tanpa ampas, cocok untuk juice wortel, belimbing, apel, pear, dll.
- Body Alluminium dan Stainless steel



WFA-4000



WFA-3000



WFA-2000



| MODEL | DIMENSION (cm) | | | PRODUCTION CAPACITY (kg/hour) | WATT (220V/1P) | SPEED (rpm) | NW/GW (kg) |
|----------|----------------|----|----|-------------------------------|----------------|-------------|------------|
| | L | W | H | | | | |
| WFA-4000 | 36 | 22 | 35 | 50 ~ 65 | 180 | 4300 | 7 / 7,5 |
| WFA-3000 | 34 | 27 | 36 | 80 ~ 100 | 370 | 2800 | 12 / 13 |
| WFA-2000 | 43 | 35 | 45 | 100 ~ 120 | 550 | 2800 | 19 / 20 |

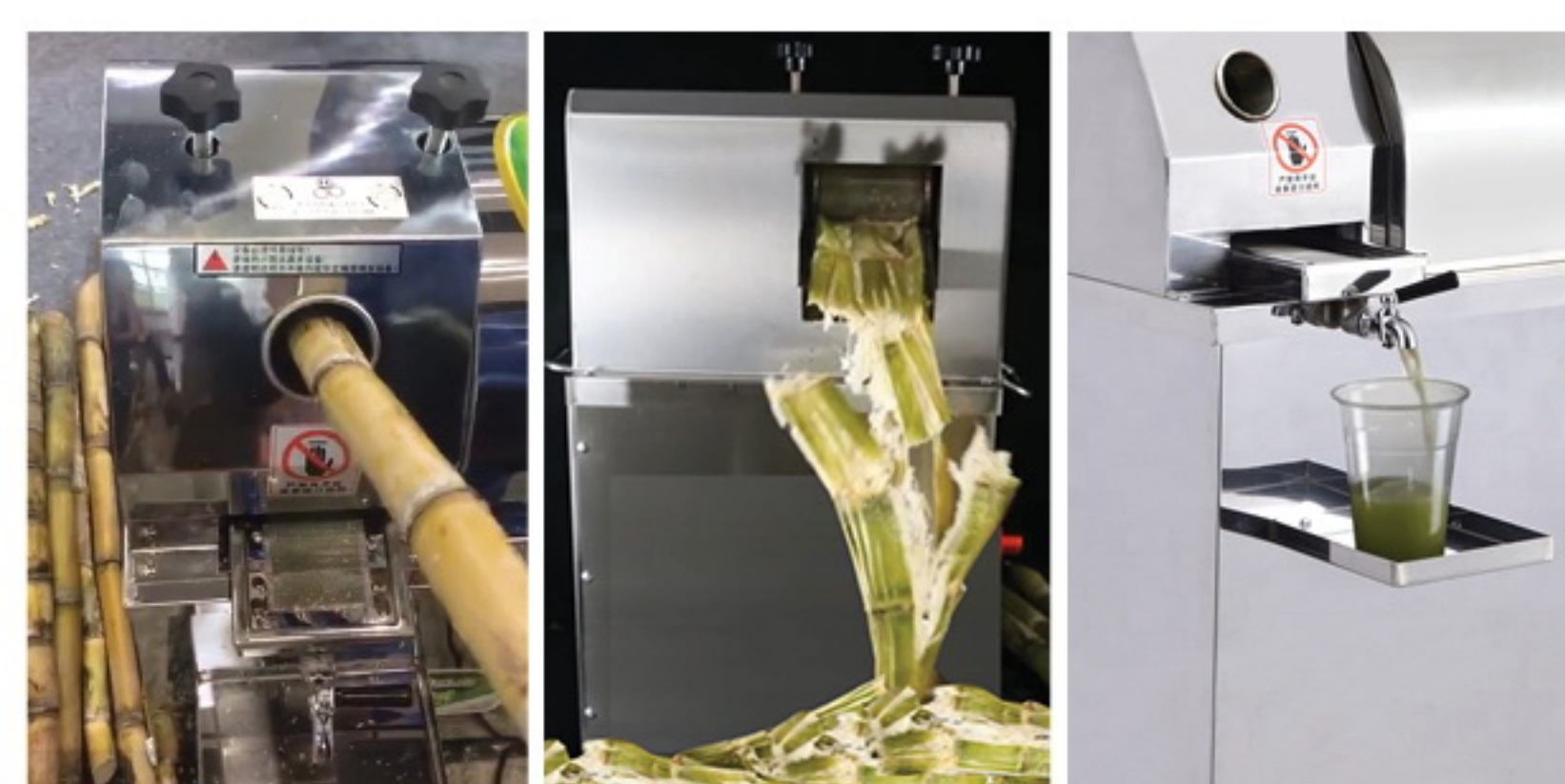
www.balicoolers.com

Sugar Cane Presser

Mesin press tebu



YF-L80N



Features

- Body Stainless steel
- Reversible Motor Direction
- Speed 20 rpm
- Emergency Stop Button
- Easy operation
- S/s tray
- Caster



LZ-80GZ



Features

- Body Stainless steel
- S/s 201, frame S/s 430, S/s 304 1 pcs long roller 105mm, S/s 304 2 pcs short roller 100mm
- Copper motor

| MODEL | DIMENSION (cm) | | | PRODUCTION CAPACITY (kg/hour) | WATT (220V/1P/50Hz) | WEIGHT NW/GW (kg) |
|---------|----------------|------|----|-------------------------------|---------------------|-------------------|
| | L | W | H | | | |
| YF-L80N | 41 | 33,5 | 72 | 250 ~ 300 | 1100 | 52 |
| LZ-80GZ | 35 | 35 | 69 | 150 ~ 300 | 1100 | 48 / 59 |

www.balicoolers.com



Mesin Penggiling Kacang Kedelai / Soybean Milk Processor

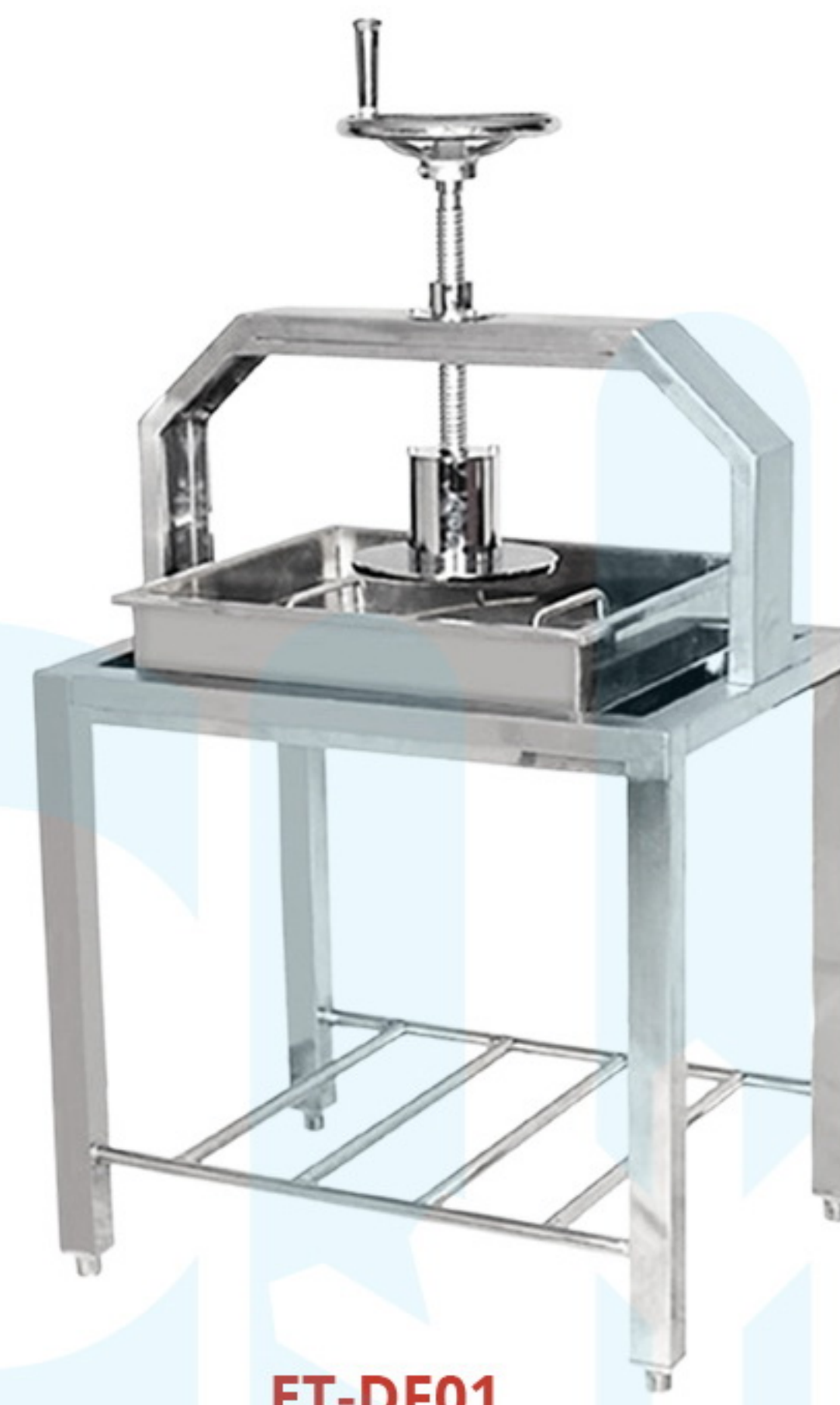
- Untuk membuat susu kacang kedelai
- Speed: 2800 rpm
- S/s 201
- Otomatis memisahkan ampas & sari
- Voltage : 220V/1P/50Hz



MFS-YG

Mesin Press Tahu Manual

Membantu mengurangi kadar air dan memadatkan adonan tahu untuk diproses selanjutnya.



ET-DF01



| TYPE | DIMENSION | | | CAP. (kg/ hour) | WATT | WEIGHT (kg) |
|-----------|-----------|----|--------|-----------------------|------|----------------|
| | L | W | H (cm) | | | |
| MFS-100YG | 41 | 38 | 72 | 30 | 750 | 30 / 45 |
| MFS-150YG | 56 | 46 | 95 | 150 | 2200 | 63 / 80 |

| TYPE | DIMENSION | | | CAPACITY (kg/hour) |
|---------|-----------|----|--------|-----------------------|
| | L | W | H (cm) | |
| ET-DF01 | 60 | 45 | 120 | 12 |

Kacang kedelai harus direndam dalam air minimal 4 jam sebelum proses penggilingan

Mesin Pembuat Susu Kacang Kedelai Otomatis



ET-YL9A



Features

- System Presto
- Body stainless steel
- Water-lacked protection

2 Power Sources:

- Listrik : Penggilingan
- Gas : Memasak



| MODEL | DIMENSION (cm) | | | CAPACITY PRODUCTION | BOWL (L) | WATT (220V/1P) | GAS POWER (BTU) | NW/GW (Kg) |
|---------|----------------|----|-----|------------------------|-------------|-------------------|-----------------------|---------------|
| | L | W | H | | | | | |
| ET-YL9A | 115 | 62 | 144 | 40 L/30 minute | 40 | 1100 | 30.000 | 76,5 / 90,4 |

Fruit & Vegetable Washer

GETRA[®]

bali
coolers
www.balicoolers.com



Air Bubble Vegetable Washer

Mesin yang digunakan untuk mencuci sayuran dan buah-buahan dengan kulit tipis, seperti: apel, tomat, dan mentimun. Dengan sistem tekanan gelembung udara yang tinggi dalam air, mesin ini mampu melarutkan kotoran, pasir, dan insektisida yang menempel pada sayuran dan buah.



- WATER FILTER NEEDED
- WATER CONNECTION NEEDED



Features

- Air Buble
- Conveyor untuk mengangkat sayuran bersih (QX-22, QX-32)
- Body dari stainless steel
- Ozon untuk membersihkan pestisida, membunuh bakteri dan kuman



| TYPE | DIMENSION (cm) | | | CAPACITY (kg/hour) | WATT (220V/1P) | WEIGHT (kg) | |
|-------|----------------|----|-----|-----------------------|-------------------|-------------|-------|
| | L | W | H | | | Nett | Gross |
| QX-1P | 100 | 70 | 100 | 200 ~ 300 | 500 | 90 | 150 |
| QX-22 | 220 | 75 | 150 | 800 ~ 1000 | 1500 | 180 | 250 |
| QX-32 | 320 | 75 | 150 | 1000 ~ 1500 | 2500 | 230 | 300 |

Brush Roller Root Fruit Washer/Peeler

Mesin yang digunakan untuk mencuci sayuran dan buah-buahan dengan kulit tebal, seperti: jahe, kentang, wortel, lobak, singkong (cassava), ubi, dll. dengan cara semprot dan disikat.



QX-608

Dengan mengganti sikat kasar (Optional), dapat berfungsi sebagai pengupas buah yang berkulit tipis, antara lain: Jahe, Wortel, Kentang, Ubi, dll.



| TYPE | DIMENSION (cm) | | | CAPACITY (ton/hour) | WATT | WEIGHT (kg) | BRUSH ROLLER | |
|--------|----------------|----|-----|------------------------|----------------|----------------|--------------|----------|
| | L | W | H | | | | Length | Quantity |
| QX-608 | 110 | 78 | 100 | 0,3 ~ 0,8 | 750 (220V/1P) | 200 / 260 | 80 | 6 |
| QX-612 | 148 | 83 | 101 | 1 ~ 1,5 | 1500 (220V/1P) | 150 | 120 | 6 |
| QX-618 | 225 | 80 | 78 | 1,5 ~ 3 | 2200 (220V/1P) | 220 | 180 | 6 |
| QX-818 | 210 | 92 | 111 | 3 ~ 5 | 2200 (380V/3P) | 250 / 550 | 180 | 6 |



Mesin pencuci sayuran berdaun (sawi, kol, bayam, kangkung, kubis, dll) pencucian dengan sistem gelembung udara memiliki desain yang praktis dioperasikan dan mudah perawatannya.

Prinsip kerjanya saat mesin dinyalakan dan air dalam tanki penuh, sayuran dimasukkan ke dalam basket, dan sensor akan mengaktifkan kipas serta menghasilkan gelembung dari bawah tabung. Sayuran terus berputar di dalam basket. Air bekas cucian dibuang melalui saluran drain. Setelah pembersihan selesai, air dimatikan, angkat handle, mesin stop otomatis dan keluarkan basket sayuran yang sudah dicuci.



QX-7

Features

- Stainless steel body, S/s 304
- Single drum cleaning machine
- Simple and easy to operate
- Stop when the lid is lifted, and start automatically when closed
- Vegetable basket
- Switch power ON/OFF
- Drain valve
- Handle



| TYPE | DIMENSION (cm) | | | CAPACITY (Kg/cycle) | POWER (KW) | VOLTAGE | WEIGHT (kg) |
|------|----------------|----|-----|------------------------|---------------|---------|----------------|
| | L | W | H | | | | |
| QX-7 | 108 | 94 | 100 | 10 | 0,3 | 380V/3P | 87,5 |





Dewater Machine

GETRA



FKD-750

Mesin untuk mengurangi kadar air (Dewater) dari buah-buahan, sayuran sebelum digoreng sehingga produk yang dihasilkan lebih renyah / garing (misalnya: keripik kentang, wortel, singkong, dll. Juga bisa digunakan untuk mengeringkan sayuran yang baru dicuci, misalnya untuk salad.



Dilengkapi Timer (0 ~ 6 menit) dengan kapasitas maksimum 13 Kg.



Drum stainless steel

| TYPE | DIMENSION (cm) | | SPEED (rpm) | WATT | WEIGHT (NW / GW (kg)) |
|---------|----------------|------|-------------|----------|-----------------------|
| | Machine | Drum | | | |
| FKD-750 | 62 x 45 x 65 | Ø 44 | 800 | 750/220V | 70 / 80 |

Dewater & Deoil Machine



KT-40

Mesin ini dilengkapi kontrol kecepatan (beroperasi pada 3 Phase - 380V) yang mempunyai 2 fungsi (Dewater & Deoil).

Kecepatan perputaran fungsi Dewater ± 600 ~ 900 rpm, sedangkan fungsi Deoil ± 300 ~ 500 rpm.

DEWATER :

Untuk mengurangi kadar air buah-buahan / sayuran sebelum digoreng, sehingga produk yang dihasilkan renyah dan garing (Kentang, wortel, singkong, ubi, dll.

DEOIL :

Untuk mengurangi kadar minyak produk sesudah digoreng, misalnya produk buah / sayur seperti : Kripik kentang, ubi, singkong, dll. supaya lebih garing dan daya simpan lama, sedangkan untuk produk daging / ikan selain lebih garing juga lebih higienis dan tampilan cerah, tidak berminyak.

| TYPE | DIMENSION (cm) | | CAPACITY (Kg) | SPEED (rpm) | POWER (380V/3P) | NW/GW (kg) |
|-------|----------------|-----------|---------------|-------------|-----------------|------------|
| | Machine | Drum | | | | |
| KT-40 | 90 x 50 x 70 | Ø 35 x 30 | 5 ~ 10 | Adjustable | 750 W | 180 / 200 |

S/s Vegetable Dryer



DX-360

Features

- Body S/s 304
- Adjustable speed 0~1400 rpm
- Material of basket for food contact S/s 304, 1mm thickness
- Silent base (rubber feet), s/s inclined outlet drain pipe, handle drum, cover lid
- Power switch ON-OFF



| TYPE | DIMENSION (cm) | | | VOLUME (L) | WATT | VOLTAGE | WEIGHT (kg) (Nett Gross) |
|--------|----------------|----|----|------------|------|--------------|----------------------------|
| | L | W | H | | | | |
| DX-360 | 36 | 36 | 58 | 4 | 180 | 220V/1P/50Hz | 30 / 50 |



WATER FILTER NEEDED
 WATER CONNECTION NEEDED

M MANUAL



Mesin pencuci beras / kacang-kacangan ini menggunakan pompa air (water pump) dengan tekanan air minimal 2 bar.

- RW-25 diperlukan pompa air minimal: 250 Watt dan RW-50: 500 Watt.
- Body full stainless steel S/s 201, 0.7mm thickness



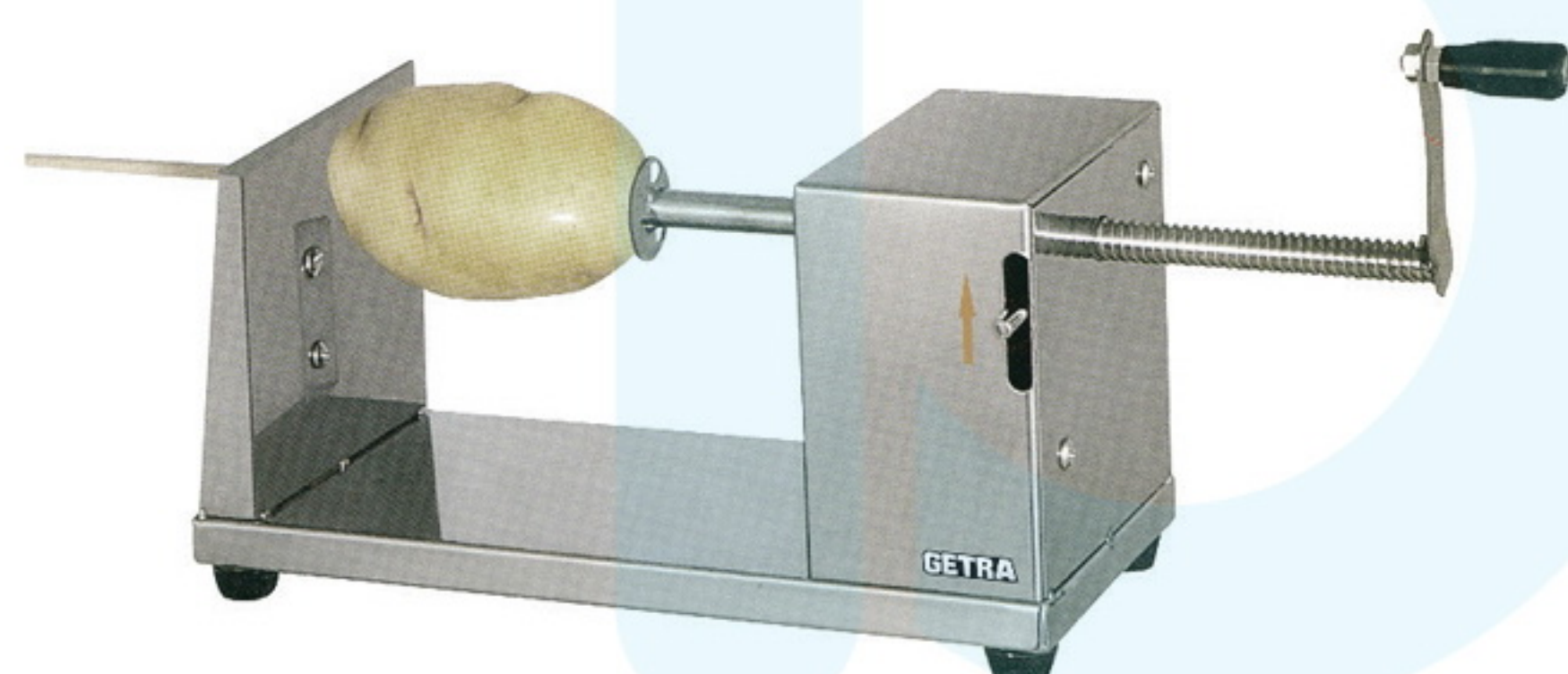
| MODEL | DIMENSION (cm) | | | WASHING CAPACITY | WEIGHT GROSS (kg) |
|-------|----------------|------------|--------|------------------|-------------------|
| | Outer drum | Inner drum | Height | | |
| RW-25 | Ø 45 | Ø 35 | 80 | 25 kg/cycle | 13,48 |
| RW-50 | Ø 55 | Ø 45 | 90 | 50 kg/cycle | 14.54 |

Tidak termasuk pompa air

S/S Tornado Potato Slicer

Alat untuk mengiris produk sayuran seperti kentang, wortel, talas, ubi, dll menjadi bentuk tornado yang menarik. Cocok untuk penggunaan di cafe, pusat rekreasi, food court, kantin sekolah, dll.

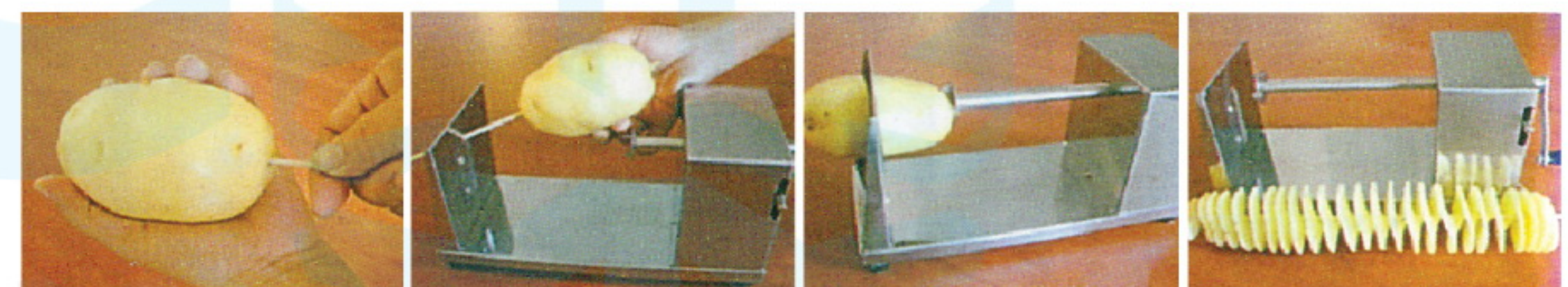
M MANUAL



ZY-PT100

Features

- Compact and flexible design
- Full stainless steel
- Easy to operate
- Maintenance free



| MODEL | DIMENSION (cm) | | | CAPACITY (piece/time) | WEIGHT (kg) Nett Gross |
|----------|----------------|----|----|-----------------------|--------------------------|
| | L | W | H | | |
| ZY-PT100 | 34 | 12 | 14 | 1 | 1 / 1,8 |

Onion / Garlic Machine

GETRA[®]

bali
coolers
www.balicoolers.com



Garlic / Onion / Peanut Peeler

Mesin untuk mengupas bawang putih, bawang merah, dan kulit ari kacang tanah (harus dipanggang terlebih dahulu) dengan tingkat akurasi pengupasan 95%. Dilengkapi dengan sistem tekanan udara kompresor, sehingga mempercepat pengelupasan kulit bawang atau ari kacang tanah. Cocok untuk industri makanan dan pabrik pengolahan bawang goreng/kacang tanah.



FX-128-S

Equipped :

Blower Fan

- Watt : 120 W
- Voltage : 220V/1P/50Hz
- RPM : 2800 rpm
- Pressure : 335 Pa

Heater (mempercepat proses pengelupasan kulit bawang merah)

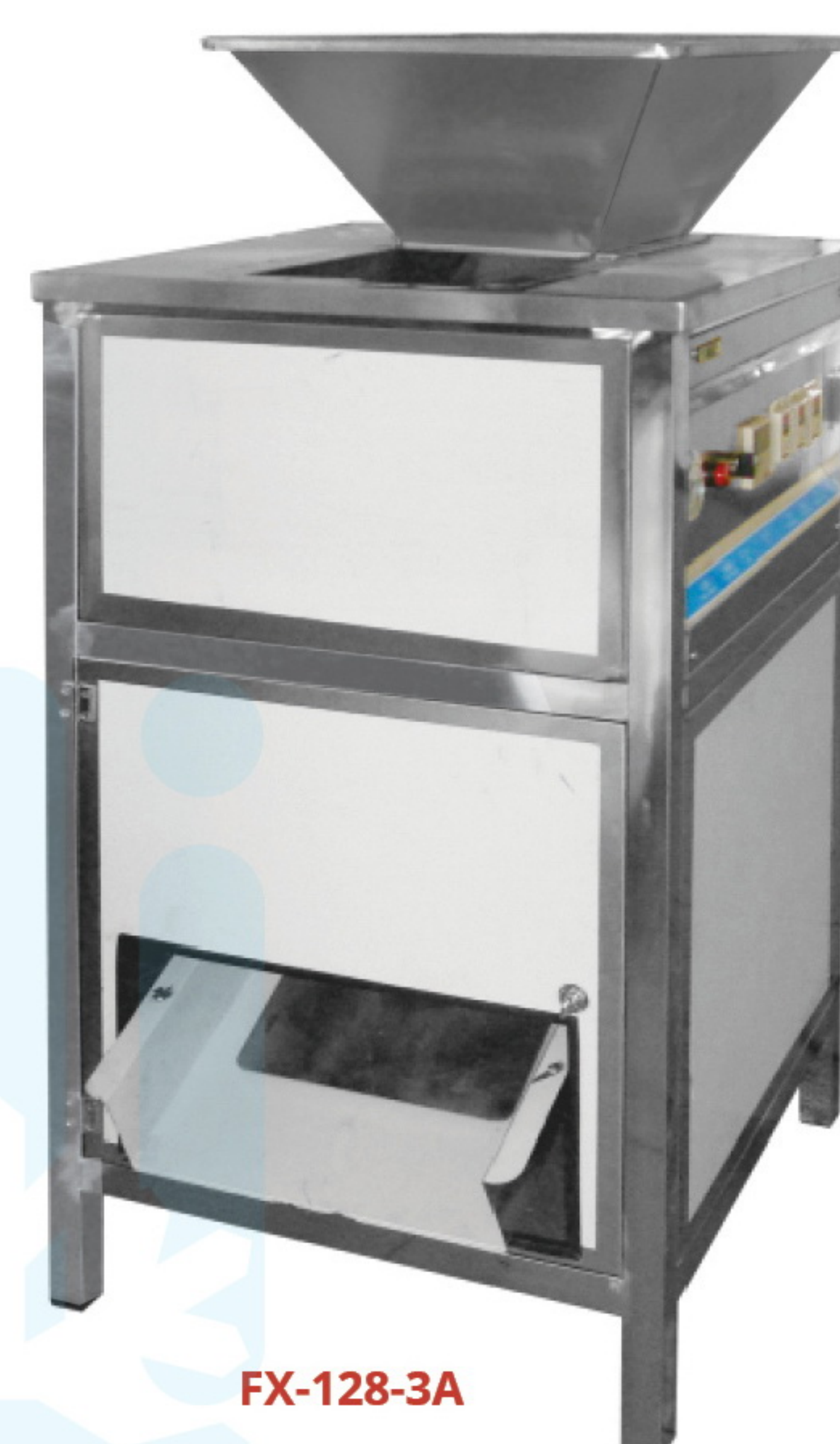
- Watt : 1300 W

| TYPE | DIMENSION (cm) | | | CAPACITY (kg/hour) | VOLTAGE | WEIGHT (kg) |
|----------|----------------|----|-----|-----------------------|--------------|----------------|
| | L | W | H | | | |
| FX-128-S | 90 | 70 | 150 | 70 | 220V/1P/50Hz | 140 |

www.balicoolers.com

Onion Peeler

Mesin yang digunakan untuk mengupas bawang merah. Dilengkapi dengan sistem putaran angin yang kuat, sehingga kulit bawang bisa mengelupas dengan sempurna. Cocok untuk pabrik bawang goreng, industri makanan, dll.



FX-128-3A

| TYPE | DIMENSION (cm) | | | CAPACITY (kg/hour) | POWER (W) | VOLTAGE | WEIGHT (kg) |
|-----------|----------------|----|-----|-----------------------|--------------|--------------|----------------|
| | L | W | H | | | | |
| FX-128-3A | 90 | 70 | 150 | 300 | 200 | 220V/50Hz/1P | 140 |

Note : Harus menggunakan kompresor udara dengan berkekuatan 20 PK dengan tekanan udara (air flow) 1,2 M³/menit. (Belum Termasuk)



Colloid, Pasta, Screw Press Machine Colloid Mill

Mesin untuk menggiling produk basah menjadi pasta dengan tingkat kehalusan yang dapat diatur. Biasa digunakan untuk menggiling buah, sayuran, cabe, kacang tanah (peanut butter), dan tulang (ikan/ayam) sebagai keperluan pakan ternak.

Aplikasi:

- Buah / sayur untuk juice
- Pemasta cabe, guava
- Kacang harus disangrai dahulu
- Pemasta kacang tanah (Butter Peanut)
- Pemasta tulang dari mesin bone grinder untuk pakan ikan / ternak, untuk pembuatan bubuk tulang/ikan, dll

Untuk JM-50 diperlukan penambahan air untuk membuat pasta. Produk yang masuk agar dipotong kecil-kecil terlebih dahulu.



JM-50, JM-80



GNM-130, GNM-180



| MODEL | DIMENSION (cm) | | | CAPACITY (kg/hour) | WATT | WEIGHT (kg) |
|---------|----------------|----|-----|--------------------|----------------|-------------|
| | L | W | H | | | |
| JM-50 | 42 | 28 | 76 | 10 ~ 50 | 1100 W (220V) | 40 |
| JM-80 | 52 | 40 | 90 | 100 ~ 200 | 5500 W (380V) | 270 |
| GNM-130 | 100 | 43 | 106 | 200 ~ 500 | 11000 W (380V) | 400 |
| GNM-180 | 100 | 43 | 106 | 500 ~ 1000 | 18500 W (380V) | 450 |

Electric Screw Press

Mesin pembuat minyak kacang

Features

- Stainless steel body
- Operational panel
- Thermostat
- S/s grinder blade
- Emergency stop
- Indicator lamp



HR-58

Sesame & Peanut Butter

Mesin pembuat pasta dari bahan kacang + wijen

Features

- Stainless steel body
- Power ON/OFF
- Grinder blade



HR-100L

Bahan harus digoreng matang tanpa minyak (sangrai)

| MODEL | DIMENSION (cm) | | | CAPACITY (kg/hour) | WATT (220V/1P/50Hz) | NW/GW (kg) |
|---------|----------------|----|----|--------------------|---------------------|------------|
| | L | W | H | | | |
| HR-58 | 60 | 40 | 98 | 10 ~ 15 | 1500 | 70,5 / 85 |
| HR-100L | 32,8 | 31 | 71 | 15 | 1100 | 30 / 35 |

S/s Spice Herb Grinder

GETRA®

bali
coolers
www.balicoolers.com



Mesin yang digunakan untuk menggiling ramuan herbal kering sekaligus untuk menghaluskan bumbu dapur (lada, ketumbar, cabe kering, dll). dengan tingkat kehalusan 20 sampai 180 mesh

SISTEM TERTUTUP



IC-04A

IC-06B/10B/20B

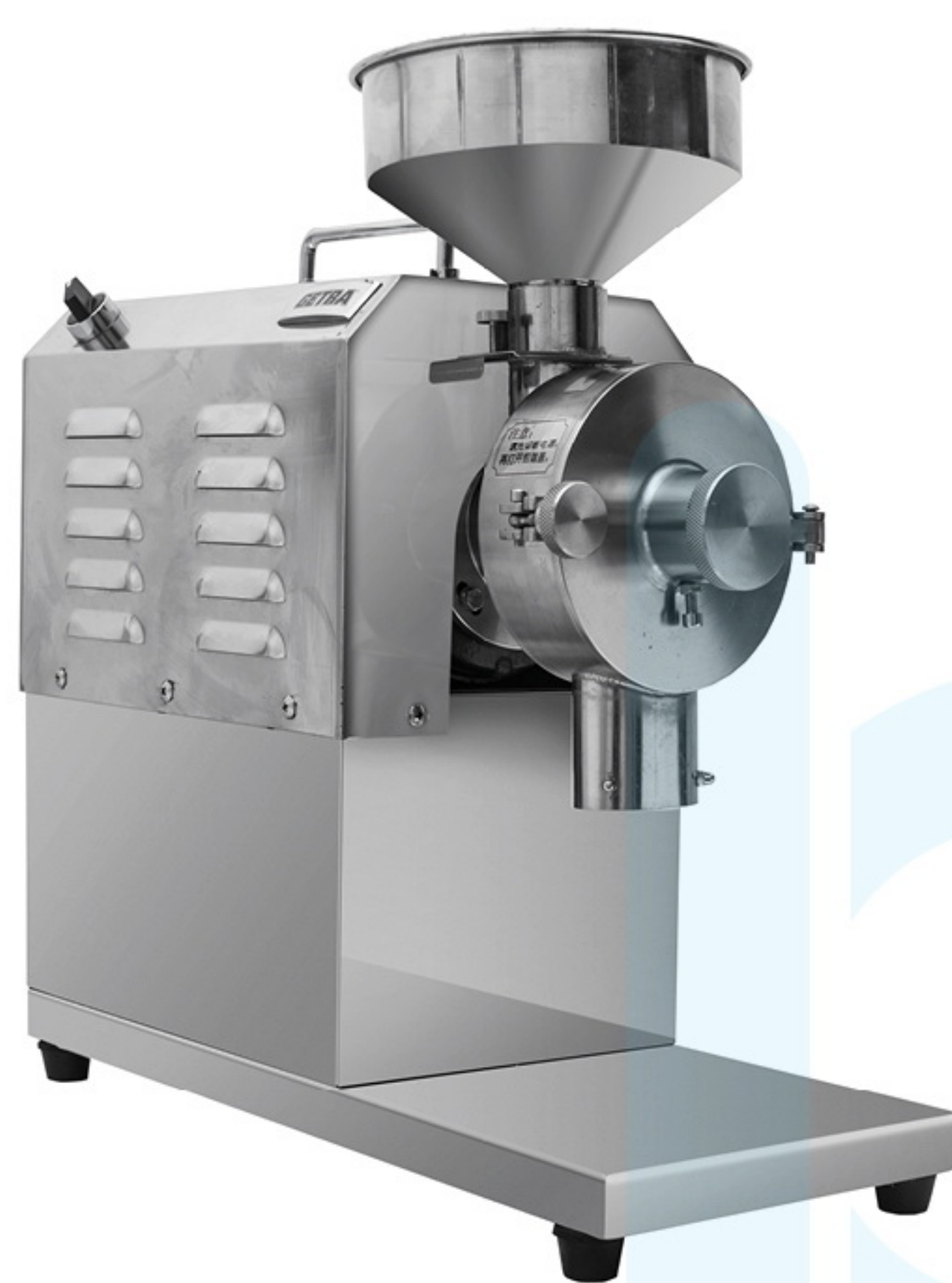


| TYPE | DIMENSION (cm) | | | CAPACITY (gram/batch) | POWER (220V/1P/50Hz) | SPEED (rpm) | WEIGHT (kg) |
|--------|----------------|------|------|--------------------------|-------------------------|----------------|----------------|
| | L | W | H | | | | |
| IC-04A | 17,8 | 16,2 | 36,1 | 200 | 1200 W | 28.000 | 3,7 / 4 |
| IC-06B | 19,8 | 19,2 | 36,1 | 300 | 1500 W | 25.000 | 4,8 / 5,5 |
| IC-10B | 19,8 | 19,2 | 37,8 | 500 | 2000 W | 25.000 | 7 / 7,8 |
| IC-20B | 26 | 22,5 | 37,8 | 1000 | 3000 W | 25.000 | 7,5 / 8,5 |

S/s Disc Mill (Mesing Penepung) Khusus Kering

Mesin untuk menggiling produk kering, seperti: cabe kering, jagung, beras, biji kopi, kakao, lada, kedelai, dan rempah-rempah.dll. Bisa dapat dilakukan penggilingan produk berulang untuk hasil yang lembut/halus. Tingkat kehalusan 20 sampai 100 mesh

SISTEM TERBUKA



SY-1200



SY-2200



| TYPE | DIMENSION (cm) | | | CAPACITY (kg/hour) | SPEED (rpm) | POWER (W) | VOLTAGE | WEIGHT kg Nett Gross |
|---------|----------------|----|----|-----------------------|----------------|--------------|--------------|---------------------------|
| | L | W | H | | | | | |
| SY-1200 | 51 | 22 | 51 | 15 ~ 35 | 1400 | 1100 | 220V/1P/50Hz | 28 / 35 |
| SY-2200 | 55 | 26 | 43 | 30 ~ 50 | 1420 | 2200 | 220V/1P/50Hz | 40 / 46 |

S/s Disc Mill (Mesing Penepung) Khusus Kering

Mesin untuk menggiling produk kering, seperti: cabe kering, jagung, beras, biji kopi, kakao, lada, kedelai, rempah-rempah, dll. menjadi tepung yang halus hanya sekali penggilingan saja. Tingkat kehalusan tepung dapat diatur dengan mengganti jenis filter (ukuran standar 80, 100, 120 mesh).

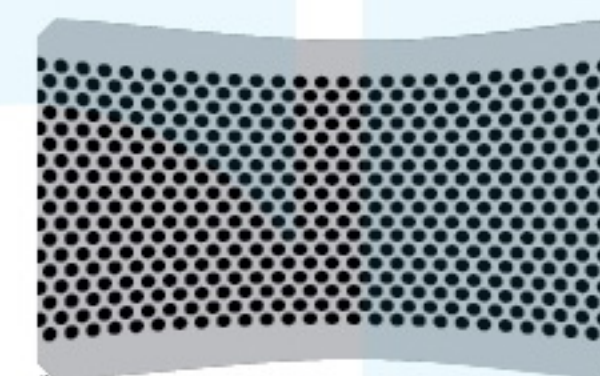
SISTEM TERBUKA



SY-250

Features

- Stainless steel blade and body : S/s 304
- Standar filter : 80, 100, 120 mesh



Harga Filter Dijual Terpisah :

- 80 mesh
- 100, 120 mesh



| TYPE | DIMENSION (cm) | | | CAPACITY (kg/hour) | POWER (W) | VOLTAGE | WEIGHT (kg) |
|--------|----------------|----|-----|-----------------------|--------------|--------------|----------------|
| | L | W | H | | | | |
| SY-180 | 70 | 52 | 85 | 30 ~ 120 | 2200 | 220V/1P/50Hz | 80 |
| SY-250 | 85 | 60 | 107 | 60 ~ 200 | 5500 | 380V/3P/50Hz | 150 / 180 |

Sugar Grinding Machine



TFTJ-250

Mesin yang digunakan untuk menggiling gula pasir menjadi tepung gula putih halus. Dengan Kecepatan perputaran mesin hingga 3.800 rpm, menghasilkan gilingan lebih lembut dalam waktu singkat.



| MODEL | DIMENSION (cm) | | | CAPACITY | | WATT (380V/3P) | WEIGHT (kg) |
|----------|----------------|----|-----|----------|-------------|-------------------|----------------|
| | L | W | H | Hoper | Production | | |
| TFTJ-250 | 124 | 96 | 173 | 50 | 250 kg/hour | 7500 + 1500 | 500 |

S/s Food Dehydrator

GETRA

bali
coolers
www.balicoolers.com



Aplikasi untuk mengeringkan produk makanan seperti :
Buah-buahan, sayuran, produk cabe, daging olahan, ikan / daging kering, rempah-rempah untuk dijadikan obat herbal / usaha farmasi.



Features

- 1 layer stainless steel case
- Internal Fan, so that the temperature is evenly heated
- Thermostat, to regulate temperature
- The distance between the shelves is 3,5 cm
- Timer (heater is OFF when the specified time has been reached)
- Low noise



Cabe dikeringkan



Daun salam dikeringkan



Ikan dikeringkan



| PRODUCT | DEHYDRATE DURATION |
|--------------|--------------------|
| BAY LEAF | ± 1 hour |
| CHILLI | ± 4 hours |
| TILAPIA FISH | ± 5 hours |



ST-01



ST-02



ST-32



ST-00

| TYPE | DIMENSION (cm) | | | VOLUME (L) | SHELF (pcs) | TRAY SIZE (cm) | RACK GRID SPACING (mm) | WATT | TEMP. (°C) | WEIGHT NW/GW (kg) |
|-------|----------------|------|-------|------------|-------------|----------------|------------------------|----------------|------------|-------------------|
| | L | W | H | | | | | | | |
| ST-01 | 42 | 55 | 38 | 60 | 10 | 39,6x39,6 | 8 | 1000 (220V/1P) | 40~90 | 15,5/17 |
| ST-02 | 42 | 55 | 60 | 100 | 16 | 39,6x39,6 | 8 | 1500 (220V/1P) | 40~90 | 22,8/25 |
| ST-32 | 42 | 59,6 | 143,5 | 200 | 32 | 39,6x39,6 | 8 | 3150 (220V/1P) | 40~90 | 47,5/53 |
| ST-00 | 70 | 88 | 142,5 | 600 | 24 | 67x67 | 10 | 5850 (380V/3P) | 40~90 | 95/140 |

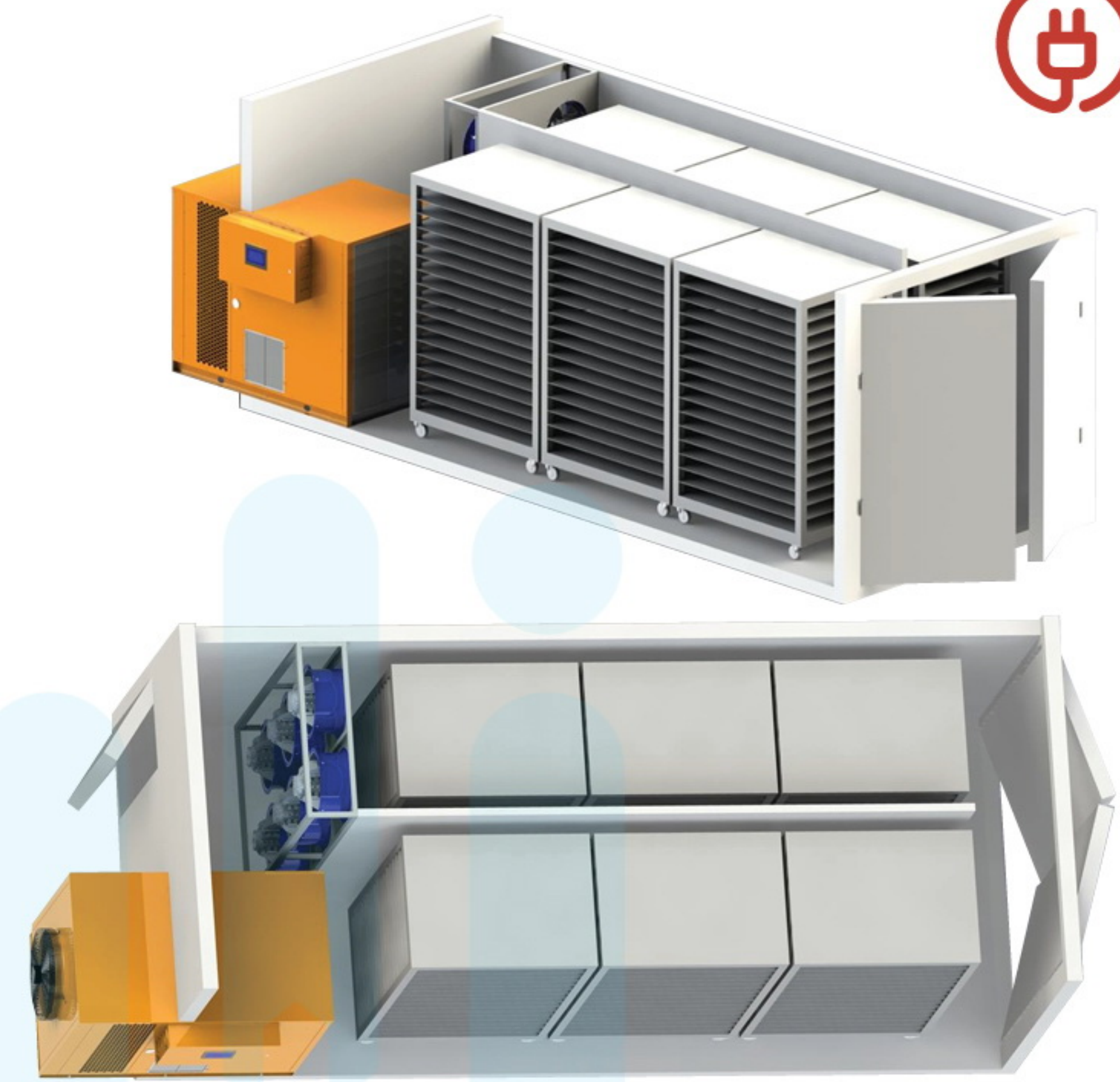
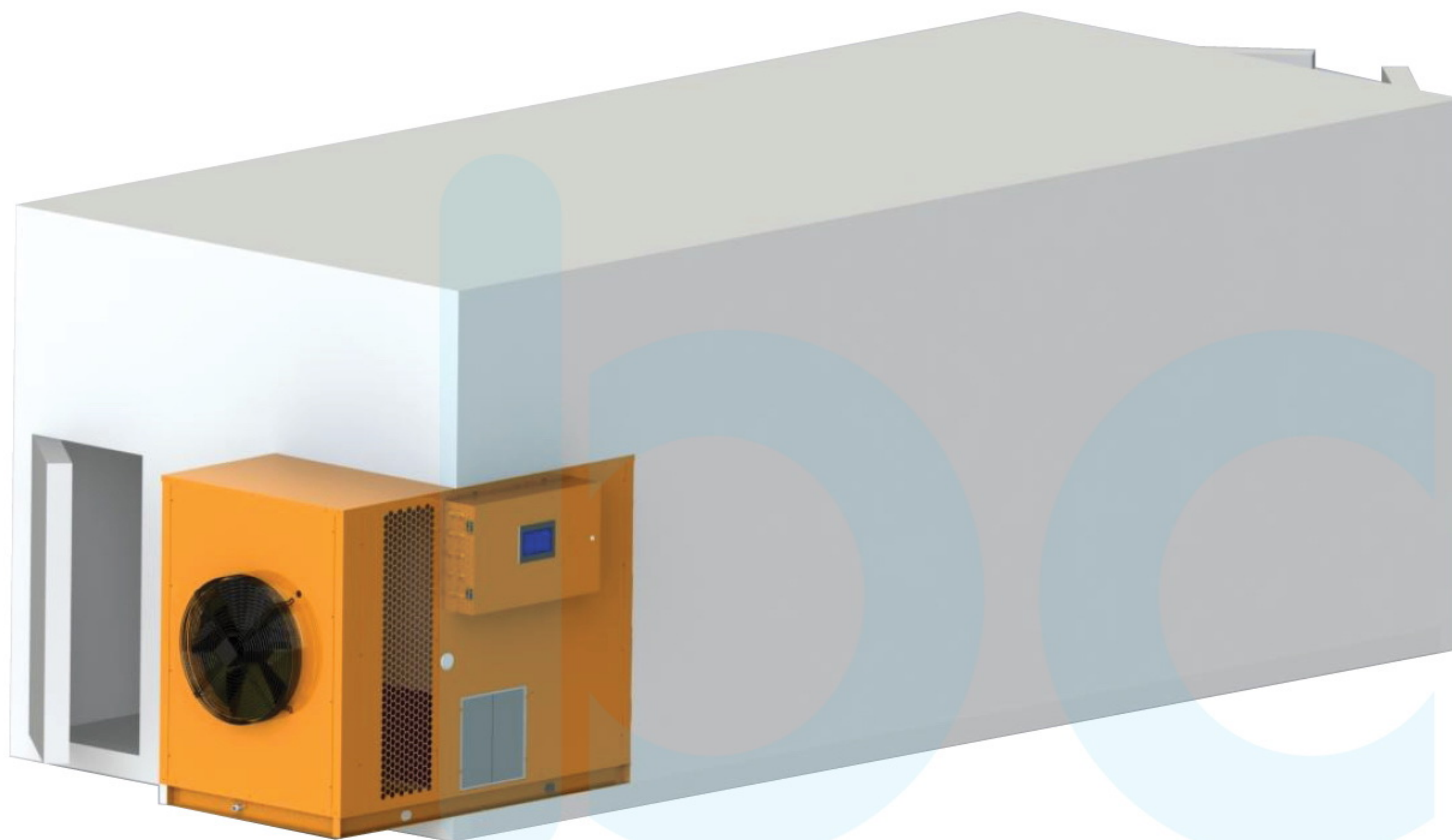
Air Heat Pump Food Dryer Room

GETRA®

bali
coolers
www.balicoolers.com



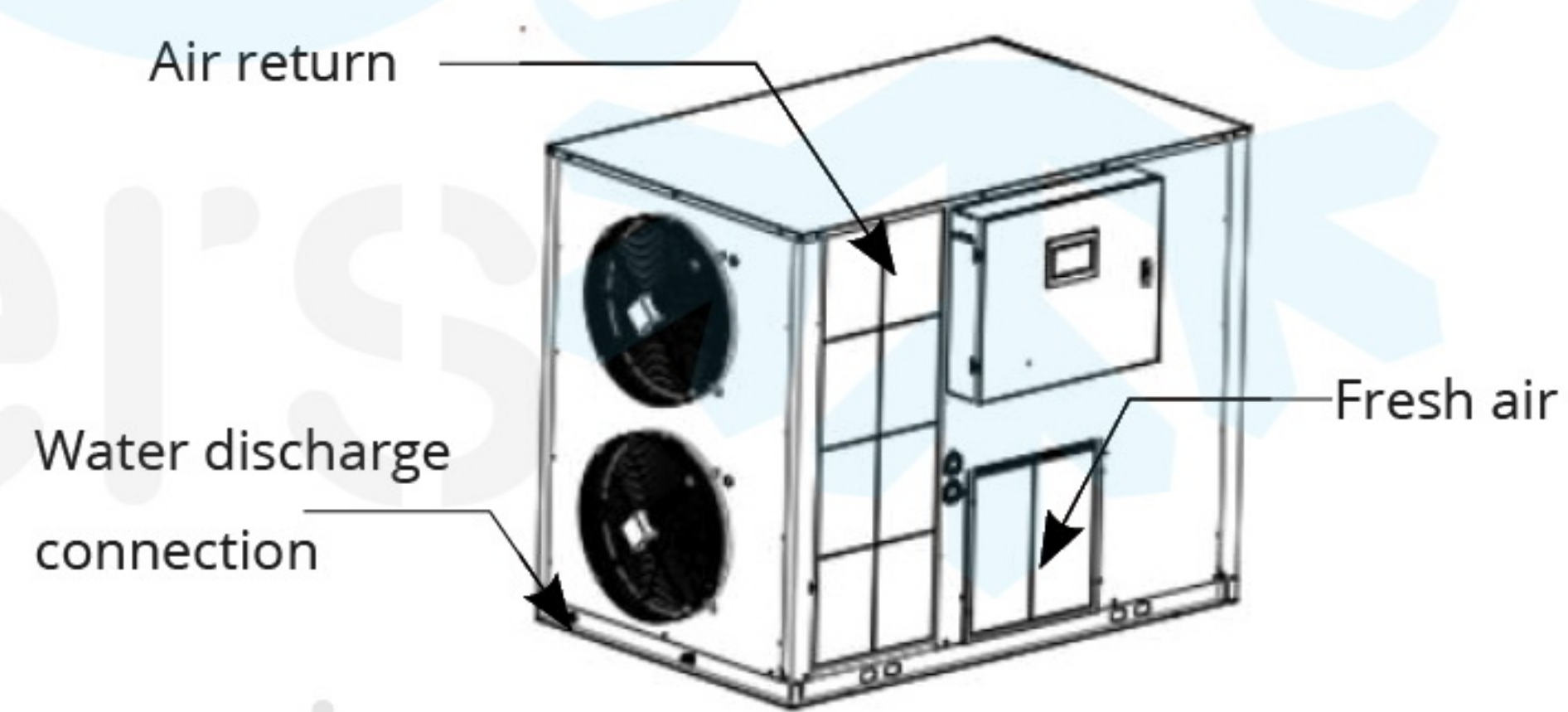
Ruangan dengan dinding panel PU dilengkapi Heat pump dryer & air circulation fan untuk mengeringkan produk makanan seperti :
Daging, sayur, buah, bunga, teh daun, rempah / bahan herbal, untuk dijadikan obat herbal / usaha farmasi, dll.



Note:
- Tidak termasuk Trolley / Pan
- Gambar hanya untuk ilustrasi saja

Features

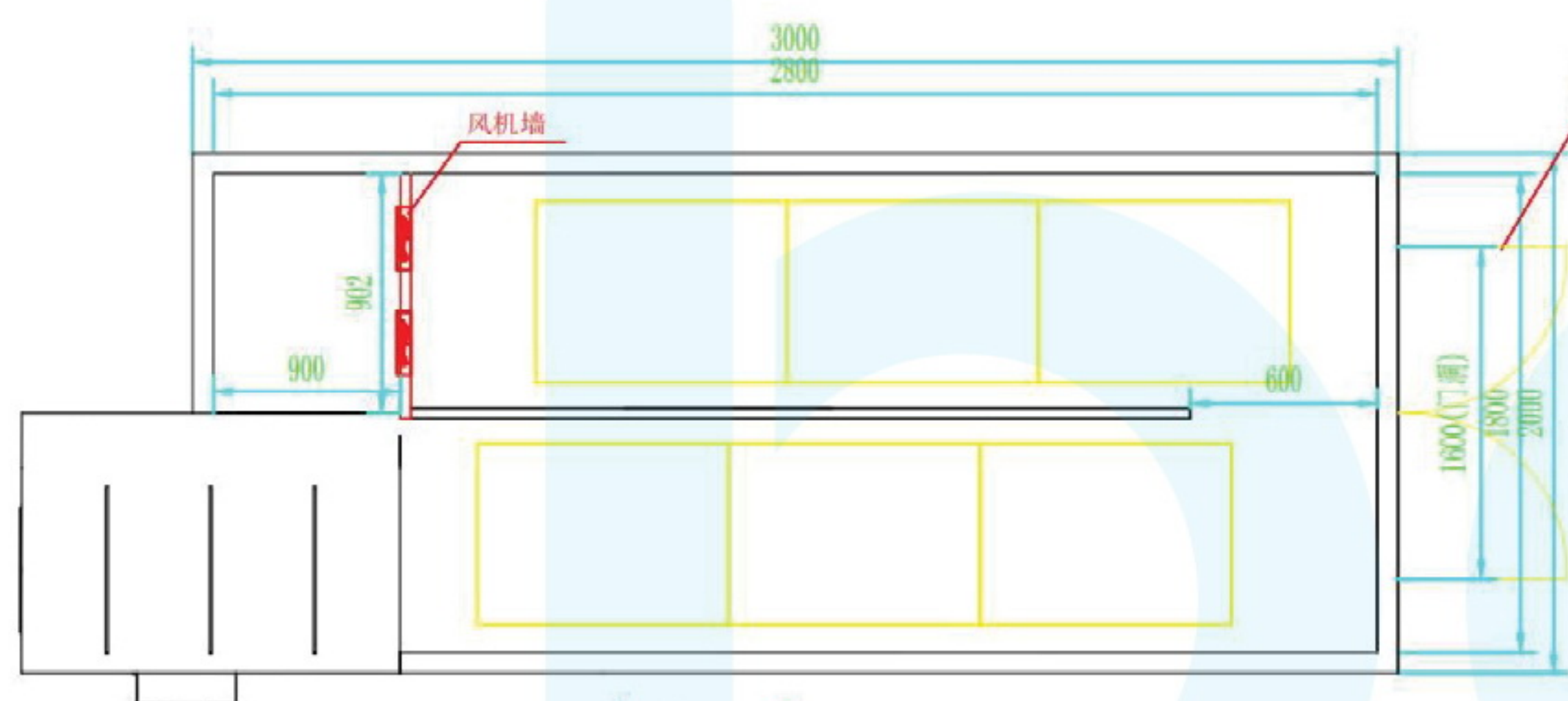
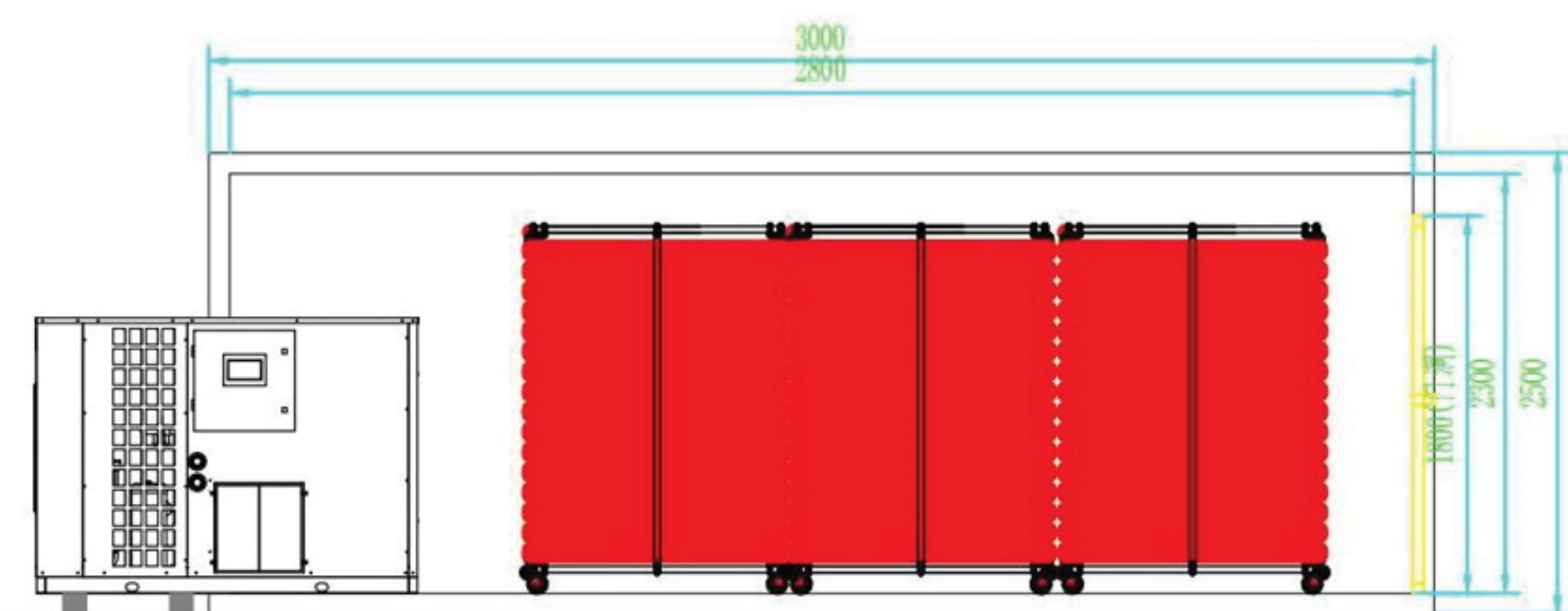
- PLC screen touch controller
- Polyurethane foam insulation layer 7.5cm thickness, zinc plated steel surface water and humidity proof
- Hi temp. high humidity resistance fans system 6 blades, low noise
- Drying room could adapt the trolley BPT-15
- Sus201 trolleys with flat grid plat (0.7 mm diameter wire 5*5mm space)
- Fresh air volume: 2000m³/h & 4000m³/h



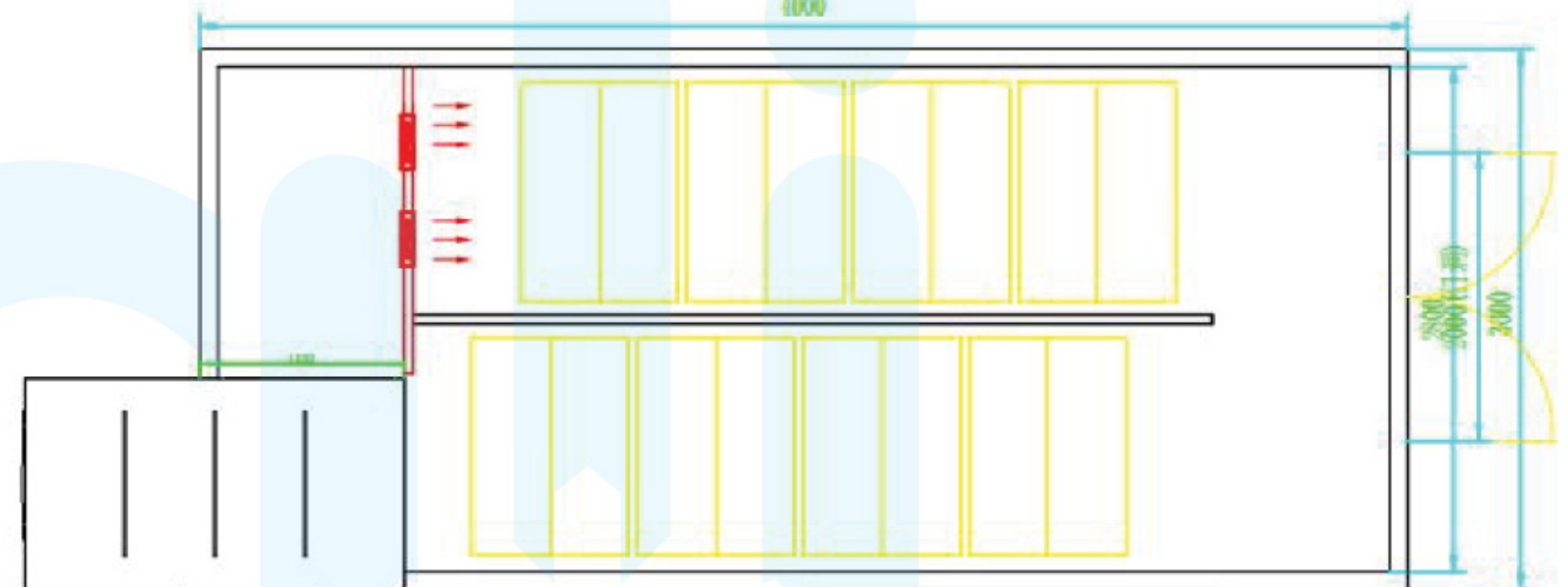
BPT-15

- AHRZ070S : Access door L.60xH.120cm, Double open door L.160x200 cm
- AHRZ140S : Access door L.60xH.120cm, Double open door L.200x200 cm

AHRZ070S-DR
(7 HP)



AHRZ140S-ZDR
(14 HP)



| TYPE | CHAMBER SIZE (cm) | | | CAPACITY | | HEAT CAPACITY (kW) | INPUT POWER (380V/3P) | TEMP. (°C) | DEHUMID. VOLUME (L/hour) | NW/GW (kg) |
|--------------|-------------------|-----|-----|--------------------------|-----------------------|--------------------|-----------------------|------------|--------------------------|------------|
| | L | W | H | Trolley size (47x62x175) | per cycle (18~24hour) | | | | | |
| | | | | | | | | | | |
| AHRZ070S-DR | 300 | 200 | 250 | 8 cm | 300~480 | 22 | 7,7 | 40~75 | 25 | 258 |
| AHRZ140S-ZDR | 300 | 400 | 250 | 24 cm | 720~1260 | 43 | 10,8 | 40~75 | 50 | 430 |

*) Biaya instalasi 5%
Harga tidak termasuk trolley & Pan