

A collage of kitchen accessories. The top section shows a knife rack with several knives, a wooden cutting board with jars of spices, and a tray of fresh produce. The middle section features a large stainless steel bucket filled with ice, a stack of metal trays, and several stainless steel food containers. The bottom section displays a stainless steel sink area with a cutting board, a blender, and a multi-tiered stainless steel cart with various kitchen equipment like a coffee machine and a red fire extinguisher.

GETRA[®]

Kitchen
Accessories

Gastronom Pan

S/S Food Pan



Stainless Steel Food Pan

Perforated Pan



Non Perforated	MODEL		ORIGIN	DIMENSION (cm)			CONTENT (per Carton)	DESCRIPTION
	Perforated			L	W	H		
FP 2/1-1			China	65	53	2	6	Dua per satu ~ 2 cm
FP 2/1-4				65	53	10	6	Dua per satu ~ 10 cm
FP 1/1-1				53	32,5	2,5	6	Satu per satu ~ 2,5 cm
FP 1/1-2.5	FP 1/1-2.5P			53	32,5	6,5	12	Satu per satu ~ 6,5 cm - hole Ø 0,5 cm
FP 1/1-4	FP 1/1-4P			53	32,5	10	12	Satu per satu ~ 10 cm - hole Ø 0,5 cm
FP 1/1-6	FP 1/1-6P			53	32,5	15	12	Satu per satu ~ 15 cm - hole Ø 0,5 cm
FP 1/1-8				53	32,5	20,5	12	Satu per satu ~ 20,5 cm - hole Ø 0,5 cm
FP 2/3-2.5				35,3	32,5	6,5	12	Dua per tiga ~ 6,5 cm
FP 2/3-4				35,3	32,5	10	12	Dua per tiga ~ 10 cm
FP 2/3-6				35,3	32,5	15	12	Dua per tiga ~ 15 cm
FP 2/4-1				53	16,2	2	12	Dua per empat ~ 2 cm
FP 2/4-2.5				53	16,2	6,5	24	Dua per empat ~ 6,5 cm
FP 2/4-4				53	16,2	10	18	Dua per empat ~ 10 cm
FP 1/2-1				32,5	26,5	2,5	12	Satu per dua ~ 2,5 cm
FP 1/2-2.5	FP 1/2-2.5P			32,5	26,5	6,5	24	Satu per dua ~ 6,5 cm - hole Ø 0,5 cm
FP 1/2-4	FP 1/2-4P			32,5	26,5	10	24	Satu per dua ~ 10 cm - hole Ø 0,5 cm
FP 1/2-6	FP 1/2-6P			32,5	26,5	15	12	Satu per dua ~ 15 cm - hole Ø 0,5 cm
FP 1/2-8				32,5	26,5	20,5	12	Satu per dua ~ 20,5 cm
FP 1/3-2.5	FP 1/3-2.5P			32,5	17,6	6,5	18	Satu per tiga ~ 6,5 cm - hole Ø 0,35 cm
FP 1/3-4				32,5	17,6	10	18	Satu per tiga ~ 10 cm - hole Ø 0,35 cm
FP 1/3-6				32,5	17,6	15	24	Satu per tiga ~ 15 cm
FP 1/4-2.5				26,5	16,2	6,5	72	Satu per empat ~ 6,5 cm
FP 1/4-4				26,5	16,2	10	24	Satu per empat ~ 10 cm
FP 1/4-6				26,5	16,2	15	24	Satu per empat ~ 15 cm
FP 1/6-2.5				17,6	16,2	6,5	36	Satu per enam ~ 6,5 cm
FP 1/6-4				17,6	16,2	10	48	Satu per enam ~ 10 cm
FP 1/6-6				17,6	16,2	15	48	Satu per enam ~ 15 cm
FP 1/9-2.5				17,6	10,8	6,5	72	Satu per sembilan ~ 6,5 cm
FP 1/9-4			17,6	10,8	10	72	Satu per sembilan ~ 10 cm	

Gastronom Pan

S/S Divided Food Pan



TYPE	DIMENSION (cm)			CONTENT (per Carton)	ORIGIN	DESCRIPTION (Rp)
	L	W	H			
FP 1/1x2-2.5 (YH723FPD)	53	32,5	6,5	12	China	Satu per satu bagi dua, tinggi 6,5 cm
FP 1/1x2-4	53	32,5	10	12		Satu per satu bagi dua, tinggi 10 cm

S/S Food Pan Cover



MODEL		DIMENSION (cm)		CONTENT (per Carton)	DESCRIPTION
Pan Cover	ORIGIN	L	W		
FP 2/1C	China	65	53	6	Dua per satu pan cover
FP 1/1C		53	33	24	Satu per satu pan cover
FP 2/4C		53	16,2	12	Dua per empat pan cover
FP 1/2C		32,5	26,5	48	Satu per dua pan cover
FP 2/3C		35,3	32,5	12	Dua per tiga pan cover
FP 1/3C		32,5	17,6	72	Satu per tiga pan cover
FP 1/4C		26,5	16,2	72	Satu per empat pan cover
FP 1/6C		17,6	16,2	36	Satu per enam pan cover
FP 1/9C		17,6	10,8	72	Satu per sembilan pan cover

Polycarbonate Pan

Polycarbonate Food Pan

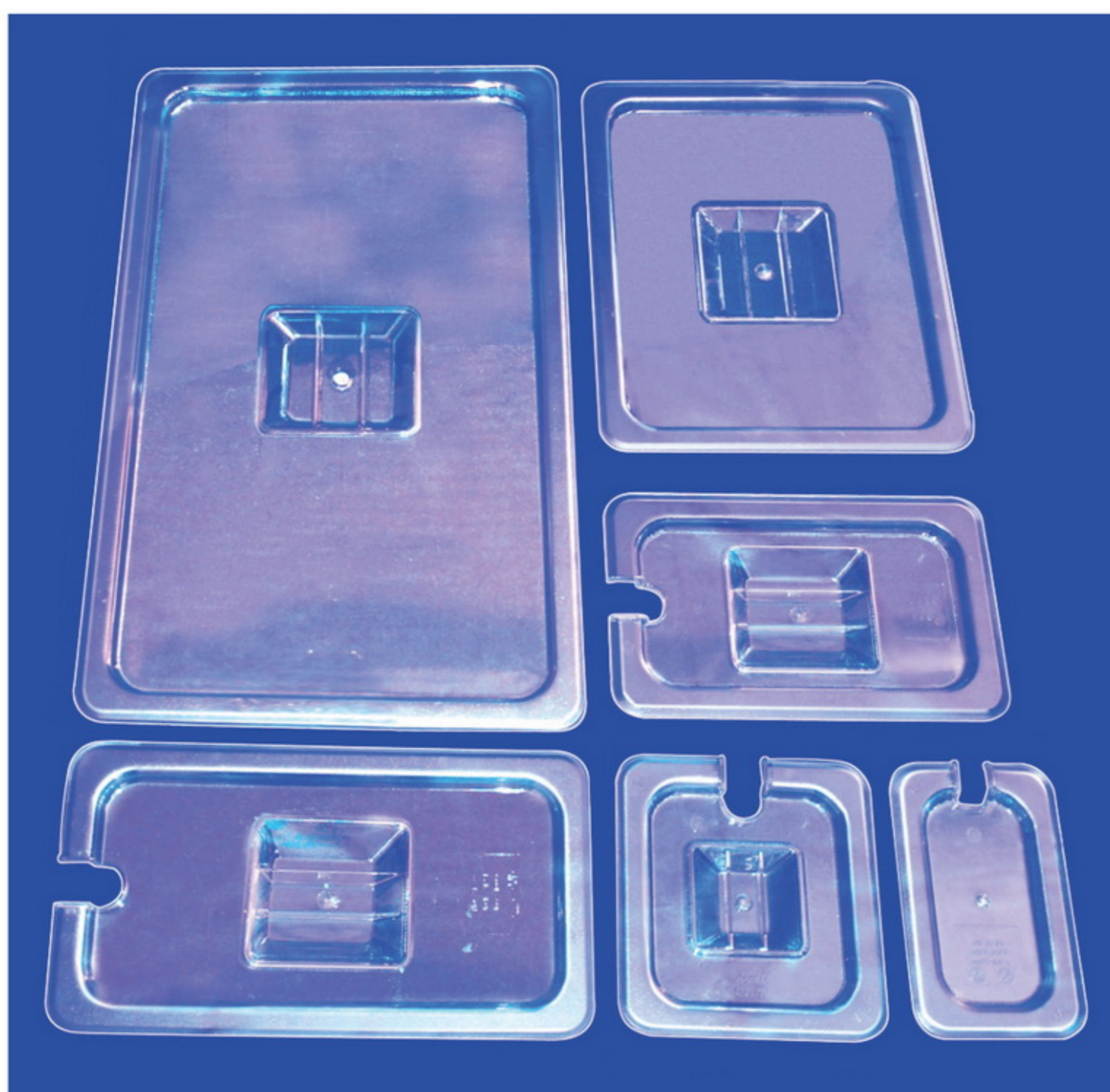


Features

- Range Temperature: -40 ~ 100°C
- Food Grade
- Durable

MODEL	DIMENSION (cm)			VOL. (L)	CONTENT (per Carton)	ORIG
	L	W	H			
PC 1/1-2.5	53	32,5	6,5	8,47	12	China
PC 1/1-4	53	32,5	10	13,02	12	
PC 1/1-6	53	32,5	15	19,49	12	
PC 1/1-8	53	32,5	20,5	25,59	12	
PC 1/2-2.5	32,5	26,5	6,5	3,91	24	
PC 1/2-4	32,5	26,5	10	5,96	24	
PC 1/2-6	32,5	26,5	15	8,88	12	
PC 1/2-8	32,5	26,5	20,5	11,7	12	
PC 1/3-2.5	32,5	17,6	6,5	2,5	48	
PC 1/3-4	32,5	17,6	10	3,57	24	
PC 1/3-6	32,5	17,6	15	5,29	24	
PC 1/4-2.5	26,5	16,2	6,5	1,6	72	
PC 1/4-4	26,5	16,2	10	2,5	24	
PC 1/4-6	26,5	16,2	15	3,72	24	
PC 1/6-2.5	17,6	16,2	6,5	1	36	
PC 1/6-4	17,6	16,2	10	1,53	48	
PC 1/6-6	17,6	16,2	15	2,2	48	
PC 1/9-2.5	17,6	10,8	6,5	0,57	72	
PC 1/9-4	17,6	10,8	10	0,85	72	

Polycarbonate Pan Cover



TYPE	DIMENSION (cm)		CONTENT (per Carton)	ORIGIN
	L	W		
PC1/1C	53	32,5	24	China
PC1/2C	32,5	26,5	48	
PC1/3C	32,5	17,6	72	
PC1/4C	26,5	16,2	72	
PC1/6C	17,6	16,2	36	
PC1/9C	17,6	10,8	72	

S/S Wall Hanging Cabinet



SERI LMDG-HVB
Thickness : 1 mm
Sliding Door

TYPE	DIMENSION			GW (kg)	ORIGIN
	L x W x H (cm)				
LMDG-150	150	35	60	38	China
LMDG-120HVB	120	40	60	29	
LMDG-150HVB	150	40	60	38	
LMDG-180HVB	180	40	60	44	

S/S Kitchen Cabinet



SERI SFMHT-HVB
Sliding Door

TYPE	DIMENSION			GW (kg)	ORIGIN
	L x W x H (cm)				
SFMHT-120HVB	120	70	85	56	China
SFMHT-150HVB	150	70	85	62	
SFMHT-180HVB	180	70	85	68	

S/S Upright Cabinet

With 4 Sliding Door



UR4D
Thickness : 1 mm

TYPE	DIMENSION			GW (kg)	ORIGIN
	L x W x H (cm)				
UR4D	100	70	180	74	China

S/S Sink Table



SST-0755



SST-1085



SST-1255



SST-1585



DST-1855



DST-2185

Features

- Full stainless steel cabinet
- Knock down system
- With Grid Undershef
- Table top: 1.0 mm stainless steel
- High density board

TYPE	DIMENSION (cm)			BOWL DIMENSION (cm)			GROSS WEIGHT	ORIGIN
	L	W	H (+ backplash)	L	W	H		
SST-0755	70	70	84~86 (+10)	50	50	30	21,4 kg	China
SST-1085	100	70	84~86 (+10)	80	50	30	28,1 kg	
SST-1255	120	70	84~86 (+10)	50	50	30	35 kg	
SST-1585	150	70	84~86 (+10)	80	50	30	39,5 kg	
DST-1855	180	70	84~86 (+10)	50	50	30	45 kg	
DST-2185	210	70	84~86 (+10)	80	50	30	47 kg	

S/S Knee Operated Wash Basin



KOWB-01



Features

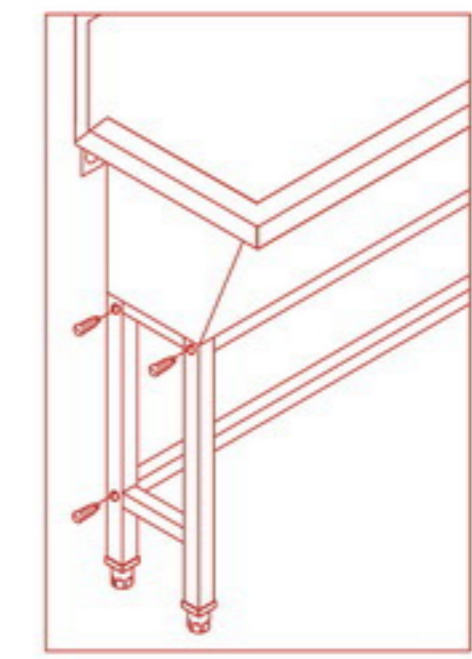
- Stainless steel body 1 mm thickness
- Faucet (Hot & Cool) - Included
- Single bowl
- Knee push to operate

TYPE	DIMENSION			ORIGIN
	L x W x H (cm)			
KOWB-01	40	33	57	China

S/S Hand Wash Sink



SERI HWS



Sistem knock-down



Bisa ditempel pada dinding
Kaki bisa dilepas

Features

- Full stainless steel (Thick 0.88mm)
- Knockdown feet
- Hole ø 9 cm



TYPE	DIMENSION			ORIGIN
	L x W x H (cm)			
HWS-90	90	40	95	China
HWS-120	120	40	95	
HWS-150	150	40	95	



TC-180
Thickness : 1 mm

S/S Bubble Tea Cabinet

TYPE	DIMENSION			GW	ORIGIN
	L x W x H (cm)				
TC-180	180	76	80 + 55	110	China



VF-10

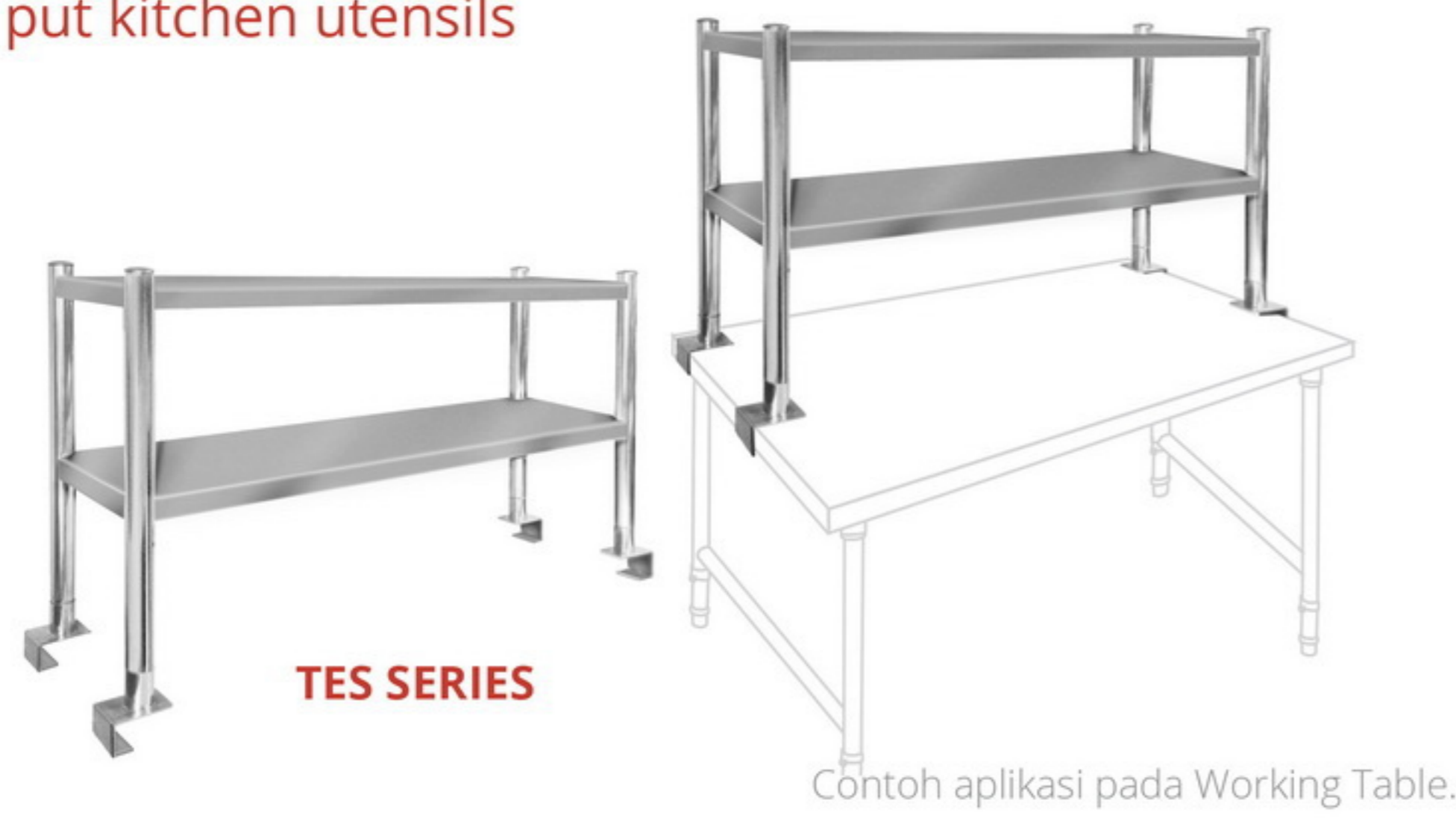
S/S Bubble Tea Barrel

Mampu menahan panas hingga 12 jam, dan tahan dingin + 6 jam

TYPE	DIMENSION		VOLUME	WEIGHT	ORIGIN
	L x W x H (cm)				
VF-10	Ø 23	41,6	10	10,8	China

S/S Table Extra Shelf (Knock Down)

Additional shelves are installed above the working table for put kitchen utensils



TES SERIES

Contoh aplikasi pada Working Table.

TYPE	DIMENSION			GW (kg)	NOTE	ORIGIN
	L	W	H (cm)			
TES-120	113	29	60	12,4	for WK-120	China
TES-150	143	29	60	14,5	for WK-150	
TES-180	173	29	60	17	for WK-180	

S/S Working Table

Table with board support, Solid and reduce noise, Adjustable Feet



Knock down

With backslash.



WK SERIES

With solid undershelf.



WK-BS SERIES

TYPE	DIMENSION			GW (kg)	ORIGIN
	L	W	H (+ back splash) (cm)		
WK-100	100	70	85~87	21,3	China
WK-120	120	70	85~87	24	
WK-150	150	70	85~87	31,5	
WK-180	180	70	85~87	35,5	
WK-100BS	100	70	85~87 (+10)	22,4	
WK-120BS	120	70	85~87 (+10)	25,5	
WK-150BS	150	70	85~87 (+10)	31,5	
WK-180BS	180	70	85~87 (+10)	37,8	

S/S Working Table W/ Drawers

Knock-down with solid undershelf, Adjustable Feet



WKDW SERIES



Knock down

TYPE	DIMENSION			DRAW. (pcs)	GW (kg)	ORIGIN
	L	W	H (cm)			
WKDW-150	150	70	85~87	2	55	China
WKDW-180	180	70	85~87	3	68,5	

S/S Sorting Table

Adjustable feet.



ST-120



RCS-01



TYPE	DIMENSION			ORIGIN
	L	W	H (+ back splash) (cm)	
ST-120	120	70	85~86,5 (+10)	China
RCS-01	31	54	60	

S/S Corner Work Table



With solid undershelf
Adjustable feet

TYPE	DIMENSION			GW (kg)	ORIGIN
	L x W x H (+ back splash) (cm)				
ZJGZT-9090	90	90	85~86,5 (+10)	32	China

S/S Double Adjusted Wall Shelves

Rak Stainless Steel yang menempel di dinding ketinggian rak bisa diatur (8,5 s/d 30 cm)



TYPE	DIMENSION		GW (kg)	ORIGIN
	L x W (cm)			
AWS-100	100	35,5	9,6	China
AWS-120	120	35,5	10,6	
AWS-150	150	35,5	14,1	
AWS-180	180	35,5	16	

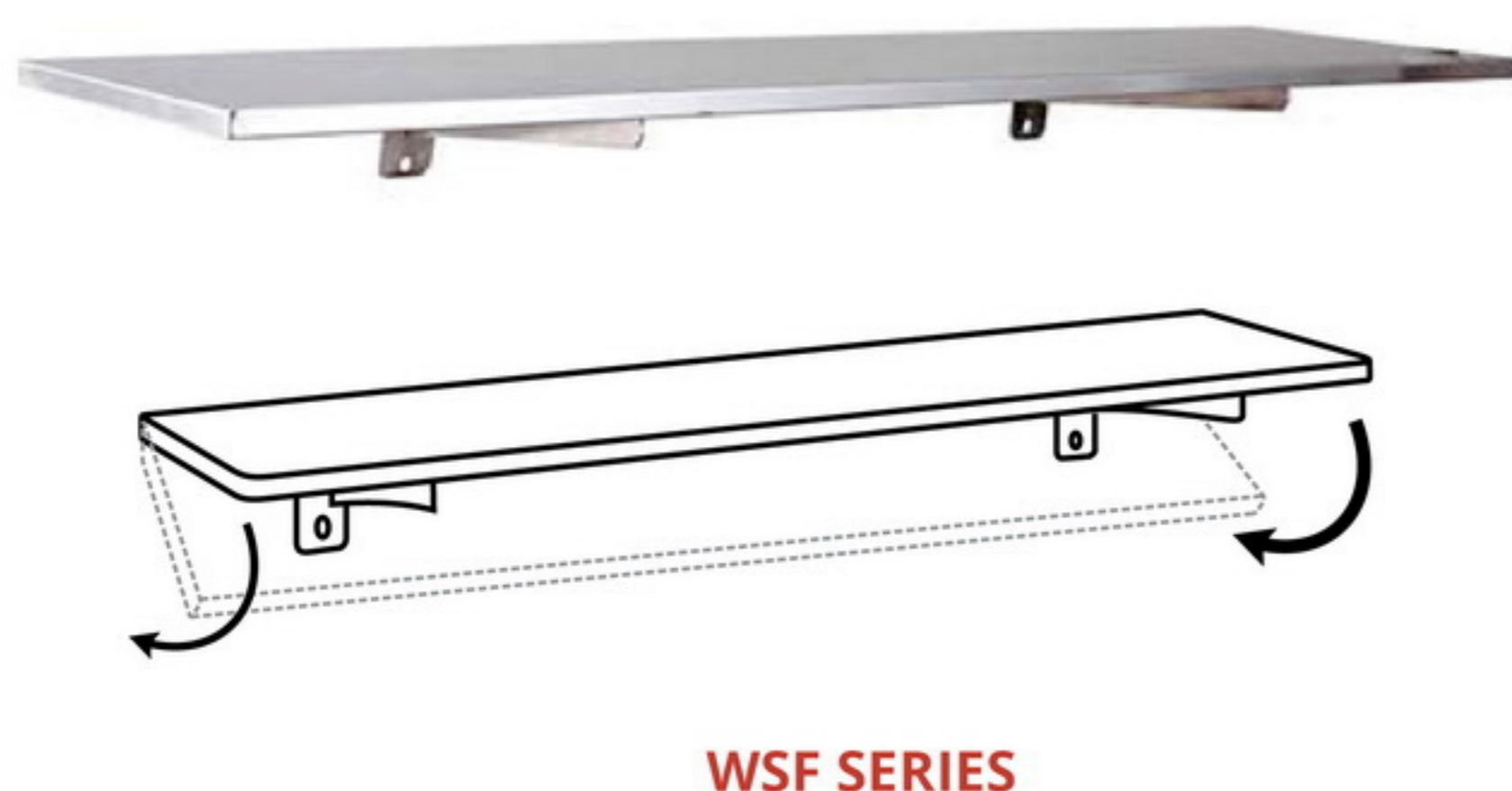
S/S Pipe Wall Shelves



TYPE	DIMENSION		ORIGIN
	L x W (cm)		
WSP-90	90	30	China
WSP-120	120	30	
WSP-150	150	30	
WSP-180	180	30	

S/S Solid Wall Shelves/Foldable

Dapat dilipat kebawah



TYPE	DIMENSION		ORIGIN
	L x W (cm)		
WSF-90	90	30	China
WSF-120	120	30	
WSF-150	150	30	
WSF-180	180	30	

S/S Storage Rack

(Board Type)



SR SERIES

TYPE	DIMENSION			WEIGHT	ORIGIN
	L x W x H (cm)				
SR-120	120	50	155	17	China
SR-150	150	50	155	21,5	
SR-180	180	50	155	24	

S/s Gastronom/Bakery/ Food Pan Trolley



11041

Features

- 18 tiers
- Stainless steel 201
- Distance between rails 77mm
- Rail thickness 1,0 mm
- 4 swivel castors with braker
- Suitable for GN 1/1

TYPE	DIMENSION (cm)			WEIGHT	ORIGIN
	L	W	H		
11041	60	46,6	174,5	28,4 / 31,6	China

S/s GN Rack Trolley

Trolley 4 rak serbaguna untuk menaruh aneka produk, rangka dari stainless steel, modul rak plastik mudah dilepas bisa diganti dengan GN Pan ukuran GN1/1, 1/3, 2/3 (Tidak termasuk). Cocok digunakan di area dapur Restoran, Hotel, Catering, dll.



GNT-856

GNT-1211

GNT-1566

Features

- Material : Tube S/s 201 thick 1,1mm, Holder (tray) PP
- Plastic tray can be removed & replace with GN pan
- Adjustable rack height
- 2 castor w/ stopper
- Loading capacity 40 Kg/rack
- Maximum temperature plastic tray 110° C
- Color plastic tray : Blue

TYPE	DIMENSION (cm)			CAPACITY / SHELF	NW / GW	ORIGIN
	L	W	H			
GNT-856	85,6	37,2	175	GN1/1 + GN1/3 or 4 x GN1/3	19,2 / 21,5	China
GNT-1211	121,1	37,2	175	2 x GN1/1 or 2 x GN2/3 + 2 x GN1/3	23,6 / 25,5	
GNT-1566	156,6	37,2	175	2 x GN1/1 + GN2/3	27,6 / 29	

S/s Gastronom/Bakery Trolley

Untuk menaruh GN Pan, Bakery/Rice Pan & basket dishwasher



GNT-15

BPT-15

RTDB01

Features

- Knock Down System
- Size of GN Pan: 1/2 and 1/1
- Bakery Pan size: 40 x 60 CM

S/s Plate Trolley

Untuk menaruh piring (dish plate) nampan



110501

Features

- 20-tier plate rack
- Material S/s 201
- Distance between rails: 67mm
- Rail thick: 0,6mm
- Square tube thick: 1,2mm, 20x30mm
- Rails with PVC sleeve, not easy sleeve
- 4 PVC swivel castors, 2 with brake

TYPE	DIMENSION			WEIGHT (kg)	ORIGIN
	L	W	H (cm)		
GNT-15	38	55	173,5	20	China
BPT-15	47	62	175,3	24 / 27,9	
RTDB01	55,5	50,5	171,5	26	

TYPE	DIMENSION			CAPACITY	NW/GW	ORIGIN
	L	W	H (cm)			
110501	60	60	161,5	80 pcs.	23,5/27,5	China

Collect and Service Trolley

Mengumpulkan piring/
gelas+Bak Sampah



CT-024

Mengumpulkan
piring/gelas



CT-023

Mengantar/mengirim
makanan & minuman



ST-022, 401, 501

TYPE	DIMENSION			ORIGIN
	L	W	H (cm)	
CT-024	82	44	91	China
CT-023	81	46	85	
ST-022	81	46	85	
ST-401	84,5	52,5	125	
ST-501	84,5	52,5	155	

Features

- Stainless Steel
- Rounded Corner
- Castor w/ Stopper
- Knockdown

S/S Universal Trolley

Trolley untuk mengangkut, memuat semua jenis barang bisa dilipat sehingga praktis



A1047

TYPE	DIMENSION L x W x H (cm)			ORIGIN
	L	W	H	
A1047	72	45	85	China

S/S Knife Disinfection Cabinet & Magnetic Knife Holder

Kabinet untuk menyimpan pisau dapur serta mensterilisasinya. Magnetic Knife Holder agar pisau menempel, knob timer untuk pengaturan waktu.



CDC-01

Features

- UV LIGHT
- Timer
- Indicator light
- S/s body



MKH-46
Magnetic Knife Holder

TYPE	DIMENSION (cm)			WATT (220V/1P)	GW (kg)	ORIGIN
	L	W	H			
CDC-01	50	76	80	200 W	13	China
MKH-46	46,5	4	2	-	14,7	

S/S Flour Trolley

Trolley untuk menaruh tepung adonan, gula dll.pada perusahaan bakery, restoran, dll



FT-80L



FT-100L

TYPE	DIMENSION L x W x H (cm)			VOLUME (L)	ORIGIN
	L	W	H		
FT-80L	49,3	57	56,7	80	China
FT-100L	59,5	67,5	56,7	100	

Anti Slip Tray

Rectangular



1418PT



1520PT

Round



1400PT



1600PT

Oval



2700CT / 3100CT

Big Tray Holder



BTH-001

TYPE	DIMENSION L x W x H (cm)		QTY (/box)	WEIGHT (/box)	ORIGIN
	L	W			
1418PT	35,5	46	12	9,3	China
1520PT	38	51,5	12	12,3	
1400PT	Ø 35,5		12	6,5	
1600PT	Ø 40,5		12	8,3	
2700CT	56	68,5	6	9,5	
3100CT	75	58	6	15	
BTH-001	52,2	48	77	-	-

Baffle Grease Filter

Untuk menyerap partikel lemak yang terbentuk selama proses memasak, bagian dari cooker hood.



Features

- Thickness 0,6mm

GF-500
Stainless Steel

TYPE	DIMENSION			MATERIAL (L)	ORIGIN
	L	W	H (cm)		
GF-500	50	50	4,5	Stainless	China

Cutlery Basket

(8 Compartment)



CB-08

TYPE	DIMENSION			ORIGIN
	L	W	H (cm)	
CB-08	42,5	20,5	15	China

Cutlery Tray



CT-04

TYPE	DIMENSION			ORIGIN
	L	W	H (cm)	
CT-04	54	32,5	10,5	China

Straw Dispenser

Alat untuk mengeluarkan sedotan dengan cara ditekan



JD-8280

TYPE	DIMENSION			ORIGIN
	L	W	H (cm)	
JD-8280	31	16	18	China

Sauce Squeeze Dispenser

White / Red / Yellow



Note: Pembelian minimal 1 (satu) Bag (isi 10 botol) per type atau warna yang sama

TYPE	DIMENSION		CAPACITY		ORIGIN
	L	W X H (cm)	oz	mL	
JD-BSD8	Ø 5	18,5	8	227	China
JD-BSD12	Ø 6	20	12	340	
JD-BSD24	Ø 7	26	24	680	

Bill Holder



BH-48

BH-24

TYPE	DIMENSION			ORIGIN
	L	W	H (cm)	
BH-24	60	6	2	China
BH-48	120	6	2	

Sauce / Condiment Pan

S/S Sauce Pan

Untuk mengeluarkan / memompa saus tomat / cabe. Terbuat dari bahan stainless steel yang higienis



Mekanis Pompa Buatan USA

TYPE	DIMENSION			CAPACITY	GW	ORIGIN
	L	W	H (cm)			
151434	35	20	16,5	1 Bowl	3,1	China
151444	70	20	16,5	2 Bowl	5,1	

Sauce Warmer Machine



Features

- Material : Body S/s 201
- Bottle material : PE
- Thermostat
- Power switch
- Easy to use



TYPE	DIMS. (cm)			BOTTLE		POWER	TEMP.	NW / GW	ORIGIN
	L	W	H	Ø	H				
SWM-1	25	17	23	8	16	80	30 ~ 85	2,1 / 3,9	China

S/S Condiment Holder

Plastic Container + Transparent Lid



TYPE	DIMENSION			VOLUME	ORIGIN
	L	W	H (cm)		
CH4	30,5	15	9	4 x 500	China
CH5	38,5	15	9	5 x 500	
CH6	45,5	15	9	6 x 500	

Spoon Drainer Holder

Untuk mengeringkan / meniriskan sendok, garpu, pisau -makan setelah dicuci



EK-171707



SD-03



SD-04

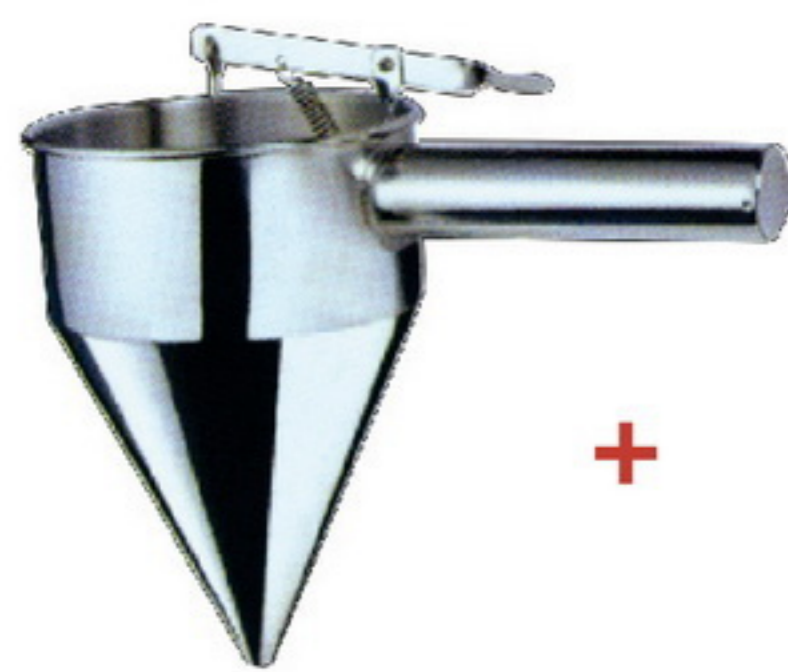


SD-06

TYPE	DIMENSION			ORIGIN
	L x W x H (cm)			
EK-171707	11,5	11,5	14,5	China
SD-03	38,5	15	18	
SD-04	26,5	30,5	20	
SD-06	38,5	30,5	20	

S/S Batter Funnel w/ Stand

Untuk memudahkan menuangkan adonan ke dalam cetakan : Crepes, Dorayaki, Waffle



EK-181901

+



Funnel Stand

TYPE	DIMENSION			ORIGIN
	L x W x H (cm)			
EK-181901	-	Ø 13,5	26	China

Adjustable Feet/Bracket



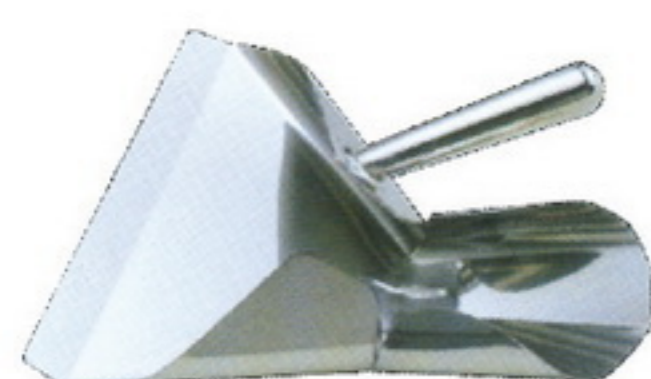
Y-38



F-38

TYPE	DESC.	DIMENSION			ORIGIN
		L x W x H (cm)			
Y-38	S/s Round	Ø 3,8	-	-	China
F-38	S/s Square	3,8	3,8	-	

Scoop



EH-181401



JD-8632



JD-8633

TYPE	DIMENSION			ORIGIN
	L x W x H (cm)			
EH-181401	19	-	23	China
JD-8632	28,5	12,2	9	
JD-8633	36,5	15,3	11	

Water Jug



WJ-1,8L



WJ-2,2

TYPE	DIMENSION		VOLUME (L)	ORIGIN
	W x H (cm)			
WJ-1,8L	Ø 13,5	19,5	1,8	China
WJ-2,2L	Ø 13	23,5	2,2	

Pitcher



P-0,9L



P-1,4L

TYPE	DIMENSION		VOLUME (L)	ORIGIN
	W x H (cm)			
P-0,9L	Ø 10,5	15	0,9	China
P-1,4L	Ø 11,7	20	1,4	

Acrylic Ice Bucket



AIB-1,3L



AIT-16

TYPE	DIMENSION			VOLUME (L)	ORIGIN
	L x W x H (cm)				
AIB-1,3L	-	Ø 13	14,5	1,3	China
AIT-16	16	3,5	1,6	-	

S/S Bucket

S/S Wine/
Champagne
Bucket



H0011-2

Bucket
Stand



H0011-1



TYPE	DIMENSION			ORIGIN
	L x W x H (cm)			
H0011-2	Ø 19,8	Ø 14,5	22	China
H0011-1	Ø 19,3		75,1	

S/S Bowl Sink

Model Las



BS-553



BS-853

Sink Strainer



EO-50

Model Pond



A-4030



TYPE	DIMENSION			THICK (cm)	GW (kg)	ORIGIN
	L x W x H (cm)					
BS-553	50	50	30	0,1	20,5	China
BS-853	80	50	30	0,12	21	
EO-50	Stainless Steel					
A-4030	40	40	30		1,36	
A-4530	45	45	30	0,12	1,66	
A-5030	50	50	30		2,09	

S/S Dining Table



Seri DT



A1175

TYPE	DIMENSION			ORIGIN
	L x W x H (cm)			
DT-90	90	80	80	China
DT-120	120	80	80	
DT-180	180	80	80	
A1175	30	30	45	

S/S Folding Work Table



- Top table S/s 201+wooden board inside
- Thick 0,8mm board
- Thick 0,9mm tube
- Adjustable feet

TYPE	DIMENSION			ORIGIN
	L x W x H (cm)			
300811	100	70	91	China
300812	120	70	91	
300814	150	70	91	

S/S Grease Trap

Untuk menyaring minyak, dilengkapi dengan keranjang, dipasang di bawah sink, pipa inlet & outlet : 2 ¼ Inch



GT-422



GT-633

TYPE	DIMENSION			WEIGHT (kg)	ORIGIN
	L x W x H (cm)				
GT-422	40	25	25	4,9	China
GT-633	60	30	30	6	

S/S Grating

Cover Stainless Steel untuk menutup drainase/parit di dapur komersial. Mudah dipasang/dibersihkan



KTC-20



KTC-25

Thickness :
1,2 mm

TYPE	DIMENSION			WEIGHT (kg)	ORIGIN
	L x W x H (cm)				
KTC-20	58	20	2,5	0,92	China
KTC-25	58	25	2,5	1,85	

S/S Cup Dispenser

TYPE	DIMENSION Ø x L (cm)	CAPACITY (cup)	GW / NW (Kg)	ORIGIN
012270-M	14 x 63	60	1,2 / 1,4	China

Features

- Cup Ø 80 ~ 85 mm



012270-M

S/S Cabinet with 2 Cups Dispenser

Dispenser cup 2 lubang khusus untuk mengeluarkan cup, dengan kabinet dari bahan stainless steel

TYPE	DIMENSION (cm)			GW (Kg)	ORIGIN
CCD-500	50	76	80	32	China

Features

- Cup Ø 89 ~ 99 mm
- Thickness 1 mm



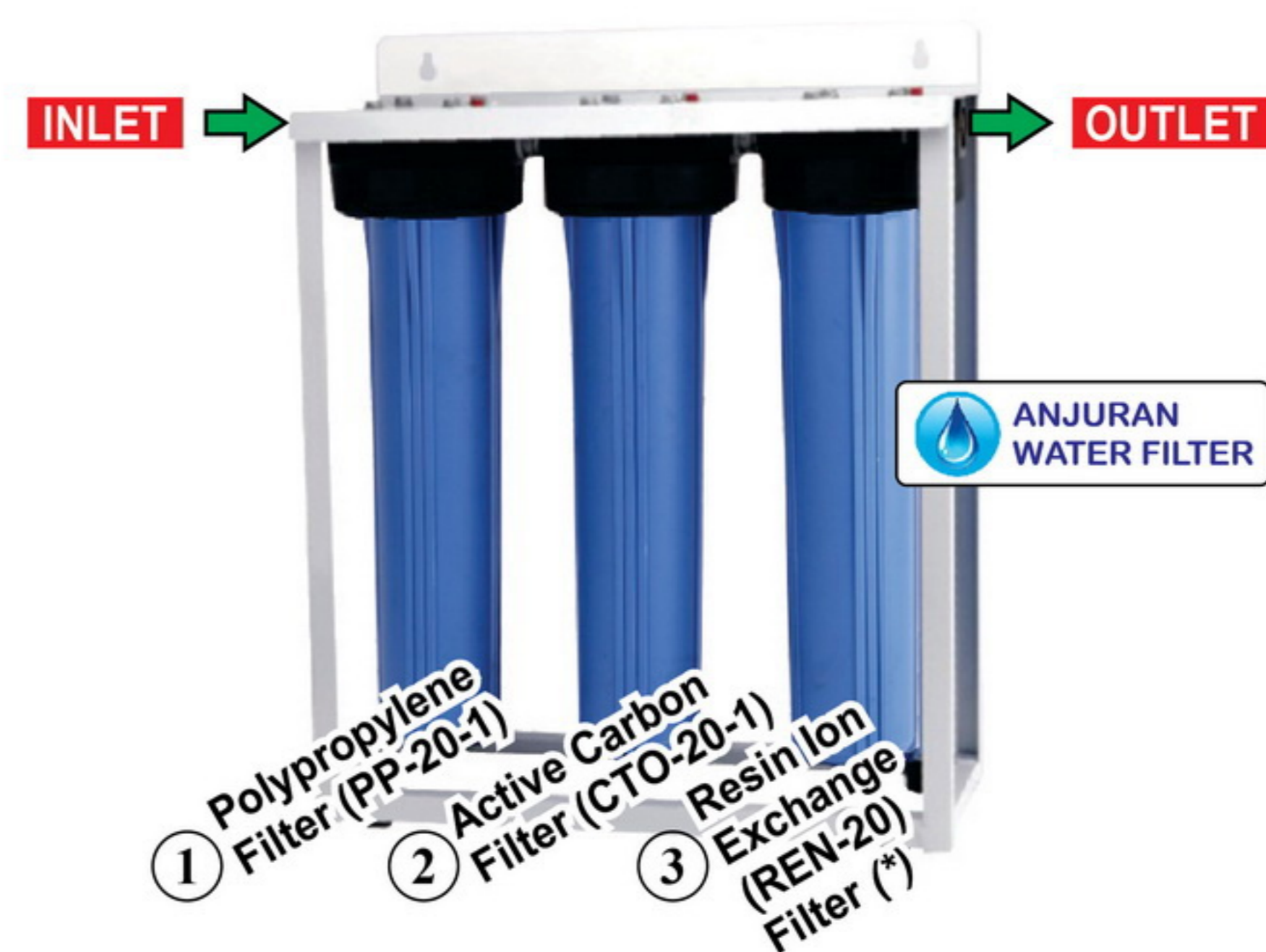
CCD-500

Water Filter (RY-20T)

Sangat disarankan untuk menggunakan Water Filter, memastikan produk es bersih (lebih higienis) untuk campuran minuman, murni, & berasa lebih segar. Sistem penyaringan air meningkatkan kualitas pasokan air, menghasilkan es yang bebas dari sedimen (endapan) sehingga mesin Es Anda lebih awet. Water Filter juga sangat dianjurkan dipasang ke peralatan pemanasan untuk mengurangi timbunan kerak air, seperti: Water Boiler, Mesin Kopi, Mesin Steamer (RSC-08, RSC-12, RSC-24, dll), Humidifier, dll

- 3 tingkat penyaringan
- Ukuran Inlet: 1/2" (Termasuk selang 150 CM)
- Ukuran outlet: 1/2" (Termasuk selang 150 CM)
- Tekanan air masuk : 15 ~ 125 psi
- Kapasitas : 600 L/jam
- Dimensi: 590 x 240 x 750 mm
- Ukuran Catridge : 20" x 3
- Berat: 12 Kg
- Origin : China

Optional Cartridge :
Polypropylene Filter PP-20-1
Active Carbon Filter CTO-20-1
Resin Ion Exchange Filter REN-20



(*) Harus dicuci dengan air garam sebulan sekali untuk meregenerasi

De-Scaler (C-9602)

Heater listrik basah (yang terendam air) akan menumpuk kerak karena timbunan mineral akibat proses pemanasan, akibatnya heater akan keropos dan konslet (rusak). Produk elektrik yang memakai heater basah seperti : Water boiler, Coffee machine, Dish washer, Proofer dan lainnya. Peralatan gas yang fungsinya untuk memanaskan air juga berpotensi keropos pada tankinya seperti : Gas steamer, heavy duty rice cooker, Pao steamer, dll. Untuk merawat dan memperpanjang usia pemakaian disarankan untuk melakukan proses perontokan kerak (Descaler) rutin setiap bulan

Cara Pemakaian:

- Larutkan C-9602 sekitar 3% (1 Liter C-9602 campur 30 L air) pada suhu sekitar 50~60°C selama 15 ~ 50 menit, sebaiknya diaduk dengan pompa



C-9602

- Kemasan 20L
- Origin : China

Bar Faucet (Hot & Cool)



9800-12

Features

- Double Hole
- Deck mounted faucet
- 4" (102mm) centers
- Swing nozzle with 12" (305mm) length
- Chrome plated escutcheon

TYPE	ORIGIN
9800-12	China

Sink Faucet (Hot & Cool)



9816-P3

Features

- Double Hole
- Deck mounted faucet
- 8" (203mm) centers
- Swivel gooseneck with P3
- 1/2" NPT flanged female inlets
- P3 = 145*264*162 mm

TYPE	ORIGIN
9816-P3	China

Glass/Container Washer

Peralatan untuk membantu pencucian yang sulit dijangkau tangan, seperti : gelas, loyang, blender, dll



9870C

Tekanan air minimal 1 bar

TYPE	DIMENSION		ORIGIN
	L x H (cm)		
9870C	15	35,3	China

Dishwasher Pre-Rinse



98001-1

Features

- Deck mounted type
- Heavy duty construction
- 20" (510mm) riser brass pipe
- 44" (1118mm) flexible stainless steel hose, Santoprene inner pipe
- Spray valve
- 6" (152) / 12" (305mm) Wall bracket
- The product includes check valve to prevent cross-flow
- The spray valve conforms to ANSI/ASTM F2324-03
- Ideal For food service, commercial kitchens, restaurants & hotel applications

Pre-Rinse With Faucet

Add-on faucet, swing nozzle with 12" (305mm) length



98001-2

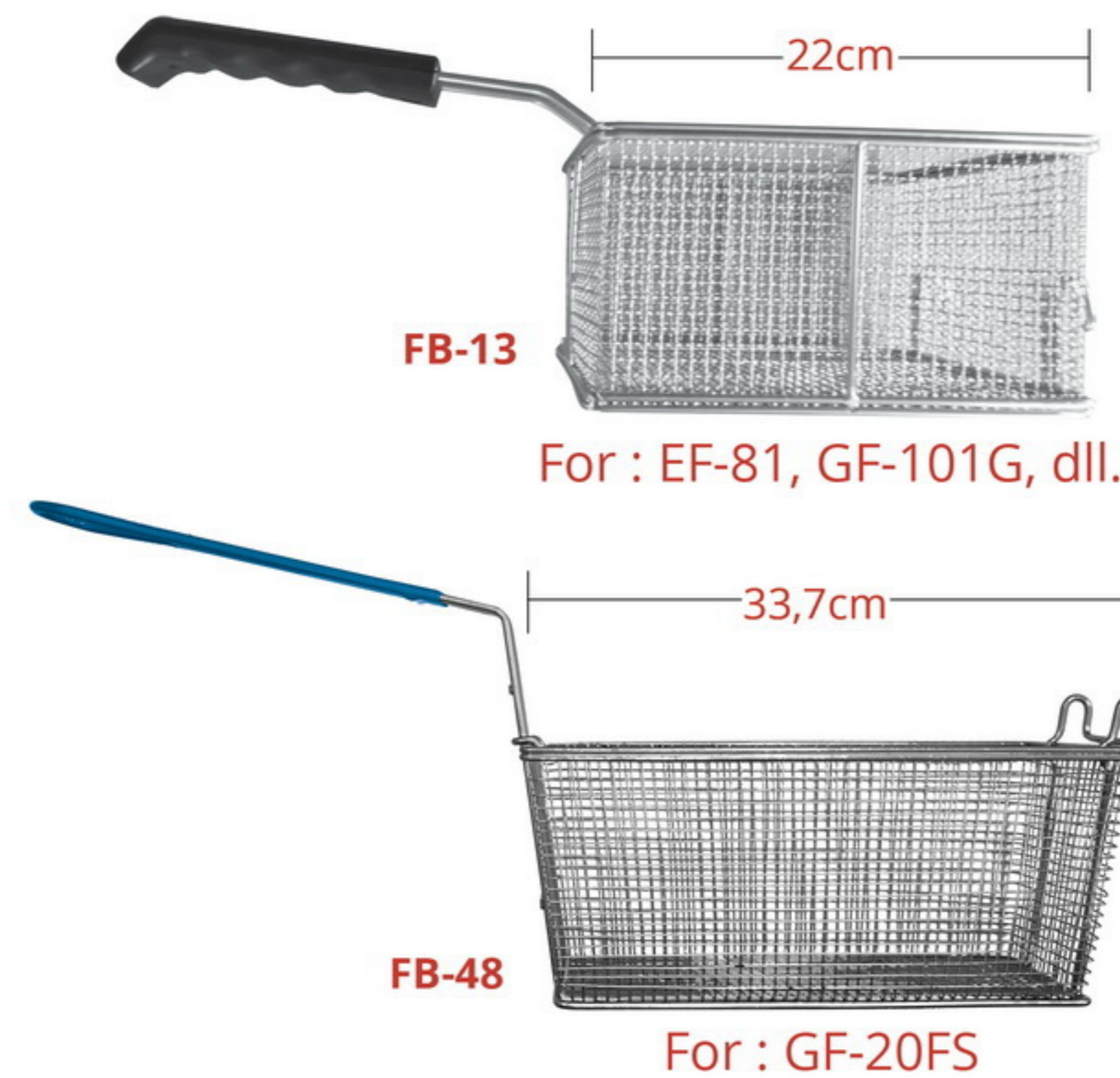
All products in this page are made in China

Frying Basket

Features

- Stainless steel basket
- Strong & durable

TYPE	DIMENSION			WEIGHT (kg)	ORIGIN
	L	W	H (cm)		
FB-13	21	22	12	1	China
FB-48	16,5	33,7	15	1,2	



Steamer (Dimsum Bamboo Basket)

Klakat / kukusan bambu sering digunakan saat mengukus dim sum, siomay, bakpao, tahu, dll. Kukusan ini memiliki celah cukup besar agar uap air yang dihasilkan benar-benar panas dan membuat dim makanan cepat matang. Bahan bambu membuat aroma khas yang menambah cita rasa.

NO.	PHOTO	DIMENSION (cm)		TYPE	ORIGIN
		Ø	H		
1.		15	5	Basket	Indonesia
2.			3,5	Lid	
3.		18	6	Basket	
4.			4	Lid	
5.		24	7	Basket	
6.		30	4,5	Lid	
7.			7	Basket	
8.		45	4,5	Lid	
9.			5,5	Basket	
10.		50	8	Lid	
11.			9	Basket	
12.			5	Lid	



Cara Pemakaian:

- Bila baru membeli kukusan bambu, cuci dengan air hangat dan jangan mencuci dengan sabun
- Rendam klakat (baik badan dan tutupnya) dalam keadaan kosong dengan air panas selama 30 menit.
- Beri alas pada dasar klakat dengan kertas roti tipis (daun pisang / pandan)
- Taruh kukusan bambu dalam panci agak dalam atau wajan supaya semua bagian pengukus bisa masuk.
- Tuang air dalam panci tapi jangan sampai menyentuh dasar
- Jangan sampai air kering dan tambahkan air bila perlu.
- Sebaiknya gunakan dua kukusan bambu yang ditumpuk bila makanan butuh waktu lama untuk matang.
- Taruh produk makanan pada pengukus bagian atas. Bila ingin menaruh makanan di kedua kukusan bambu, taruh makanan yang lebih lama matang di bawah dan makanan lebih cepat matang di bagian atas.