



GETRA[®]

Food & Cooking Equipment

Dalam memilih Regulator Gas mohon dipastikan pemilihan Tekanan Rendah (Low Pressure) atau tekanan Sedang/Tinggi (Medium/High Pressure) sesuai dengan spesifikasi kompor. Kompor Gas yang didesign bertekanan rendah, apabila menggunakan regulator bertekanan tinggi, akan merusak membran, meledak, dan api akan membumbung tinggi, beresiko menimbulkan kebakaran.

- **LNG Low Pressure**
1.500 ~ 2.200 pa
- **LPG**
Low Pressure : 2.800 pa = 0,41 psi = 0,03 bar
High Pressure : 50.000 pa = 7,3 psi = 0,5 bar

1 Kg LPG : 13.7 KW/Hour= 47.000 BTU



CS-4860DX
1 Burner

MEDIUM/HIGH PRESSURE

CS-4960DX
1 Burner with blower

LOW PRESSURE

CS-6070DX
1 Burner with blower

Terdiri dari 2 handle, masing-masing untuk kontrol volume gas & udara dari blower

CS-1380DX
2 Burner + 1 Soup Ring + blower

Terdiri dari 2 handle, masing-masing untuk kontrol volume gas & udara dari blower

| MODEL | DIMENSION (cm) | | | POWER | | Gas Cons. (Kg/hour) | WEIGHT (kg) Nett Gross |
|-----------|----------------|----|--------|----------|-----------------------|---------------------|--------------------------|
| | L | W | H | Gas (kW) | Electricity (220V/1P) | | |
| CS-4860DX | 48,5 | 60 | 80 | 20 | - | 1,45 | 16 / 18 |
| CS-4960DX | 48,5 | 60 | 73 | 28 | 75 W | 2,2 | 19.5/21.8 |
| CS-6070DX | 60 | 70 | 80-115 | 25 | 120 W | 1,82 | 36 / 56,5 |
| CS-1380DX | 130 | 80 | 110 | 2 x 38 | 2 x 120 W | 2 x 2,84 | 76 / 97,5 |

Price exclude gas pipe, regulator & installation



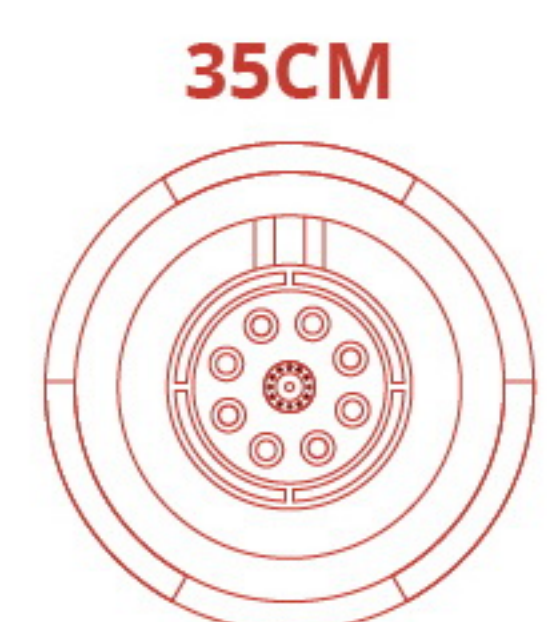
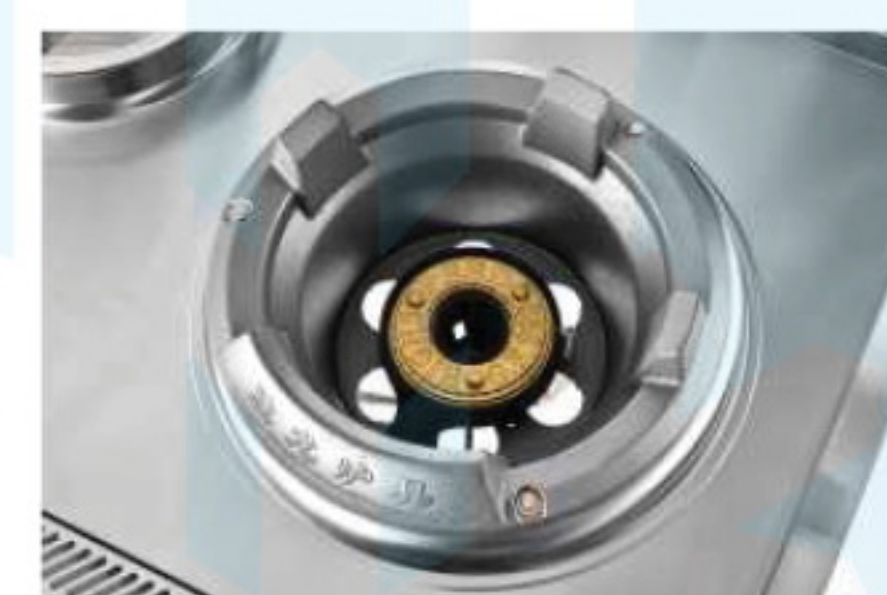
CS-9080DX
1 Burner + 1 Soup Ring

CS-1480DX
2 Burner + 1 Soup Ring

CS-1880DX
2 Burner + 2 Soup Ring

Features

- Stainless steel body
- Application : Chinese food, Hotel, Catering



| MODEL | DIMENSION (cm) | | | GAS POWER (kW/h) | Gas Cons. (Kg/hour) | WEIGHT (kg) Nett Gross |
|-----------|----------------|----|--------|------------------|---------------------|--------------------------|
| | L | W | H | | | |
| CS-9080DX | 95 | 80 | 80/115 | 1 x 25 | 1,82 | 30 / 58 |
| CS-1480DX | 130 | 80 | 80/115 | 2 x 25 | 2 x 1,82 | 47 / 92 |
| CS-1880DX | 180 | 80 | 80/115 | 2 x 25 | 2 x 1,82 | 58 / 96 |

Price exclude gas pipe, regulator & installation



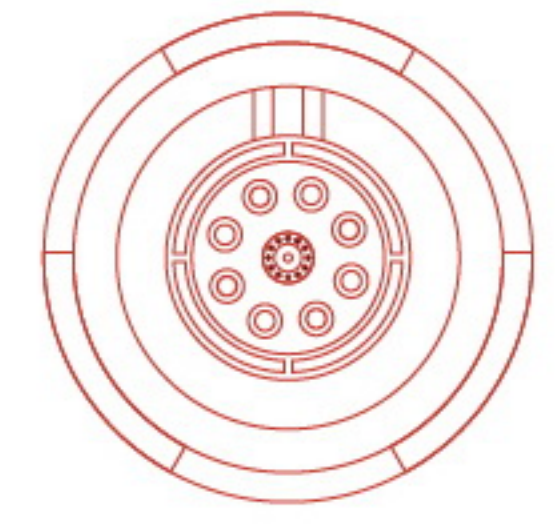
Blower Kwali Range

M **MANUAL AIR REGULATOR**

Terdiri dari 2 handle, masing-masing untuk kontrol volume gas & udara dari blower.

LOW PRESSURE

45CM



CS-1095DX
1 Burner + 1 Soup Ring



CS-1995DX
2 Burner + 1 Soup Ring



CS-2111DX
2 Burner + 2 Soup Ring



*) Equipped with gas saving feature when frying pan on leaning position

| MODEL | DIMENSION (cm) | | | POWER | | Gas Cons. (Kg/hour) | WEIGHT (kg) Nett Gross |
|-----------|----------------|-----|--------|----------|-----------------------|---------------------|-----------------------------|
| | L | W | H | Gas (kW) | Electricity (220V/1P) | | |
| CS-1095DX | 105 | 95 | 80/115 | 40 | 250 W | 2,9 | 116 / 143 |
| CS-1995DX | 199,5 | 95 | 80/115 | 2 x 40 | 2 x 250 W | 2 x 2,9 | 196 / 235 |
| CS-2111DX | 215 | 115 | 80/125 | 2 x 40 | 2 x 250 W | 2 x 2,9 | 221 / 258 |

Price exclude gas pipe, regulator & installation

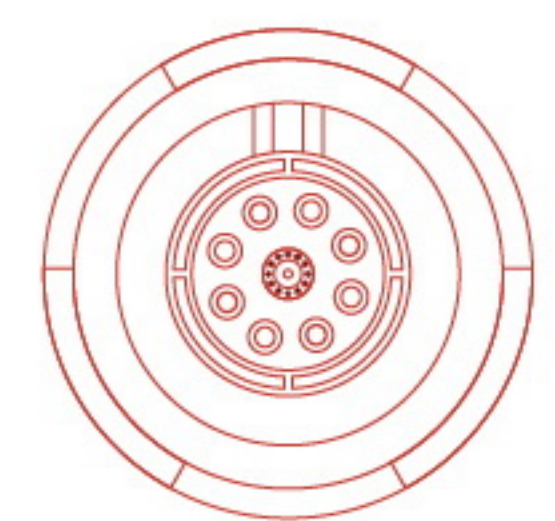
Deluxe Blower Kwali Range

A **AUTOMATIC AIR REGULATOR**

Hanya 1 handle untuk mengatur volume gas + udara dari blower. Biasanya dikontrol dengan lutut kaki.

LOW PRESSURE

45CM



DBR-48DX
1 Burner Range + 1 Soup Ring



DBR-48/96ADX
2 Burner Range + 2 Soup Ring



| MODEL | DIMENSION (cm) | | | POWER | | Gas Cons. (Kg/hour) | WEIGHT (kg) Nett Gross |
|--------------|----------------|-----|--------|----------|-----------------------|---------------------|-----------------------------|
| | L | W | H | Gas (kW) | Electricity (220V/1P) | | |
| DBR-48DX | 120 | 115 | 80/125 | 40 | 250 W | 2,9 | 128 / 177,3 |
| DBR-48/96ADX | 215 | 115 | 80/125 | 2 x 40 | 2 x 250 W | 2 x 2,9 | 221 / 278 |

Price exclude gas pipe, regulator & installation

*) Equipped with gas saving feature when frying pan on leaning position

Gas Open Burner with Stand



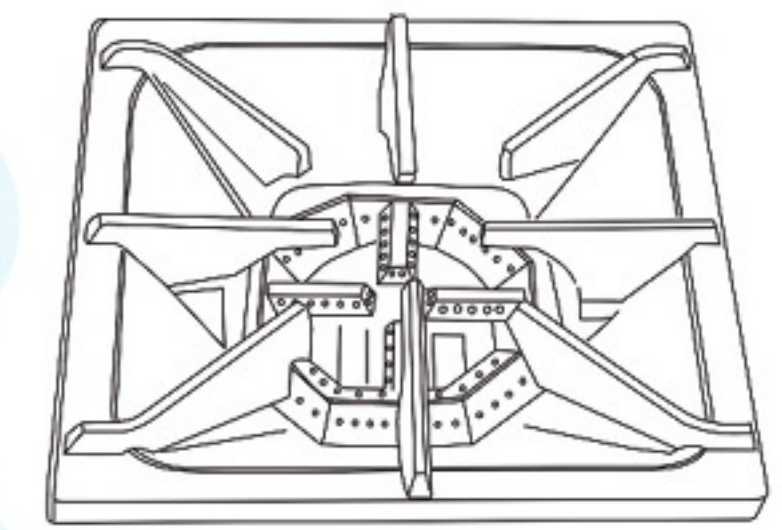
Kompas untuk memasak makanan yang digunakan dalam skala besar, seperti: restoran, catering, dll.



RBD-4



RBD-6



Octagon furnace design for more even heat energy saving and easy to clean

- Heavy duty gas range
- The mat is made of die casting
- Body stainless steel
- Cooked quickly

| TYPE | DIMENSION (cm) | | | GAS POWER | Gas Cons. (Kg/hour) | WEIGHT (kg) Nett Gross |
|-------|----------------|----|---------|-----------|---------------------|-----------------------------|
| | L | W | H | | | |
| RBD-4 | 70 | 80 | (85+10) | 4 x 6 kW | 1,74 | 72 / 95 |
| RBD-6 | 105 | 80 | (85+10) | 6 x 6 kW | 2,61 | 96 / 120 |

Price exclude gas pipe, regulator & installation

www.balicoolers.com

Gas Open Griddle & Broiler with Stand

Aplikasi : Memanggang daging steak, ikan dll.



RPD-4B
Griddle Strip with Shelf



RPD-4
Flat Griddle with Shelf



RSD-3
Lava Rock with Shelf

| TYPE | DIMENSION (cm) | | | GAS POWER | Gas Cons. (Kg/hour) | WEIGHT (kg) Nett Gross |
|--------|----------------|----|---------|-----------|---------------------|-----------------------------|
| | L | W | H | | | |
| RPD-4B | 70 | 80 | (85+10) | 2 x 7 kW | 1,02 | 91 / 106 |
| RPD-4 | 70 | 80 | (85+10) | 2 x 7 kW | 1,02 | 91 / 106 |
| RSD-3 | 70 | 80 | (85+10) | 3 x 5 kW | 1,09 | 91 / 106 |

Price exclude gas pipe, regulator & installation

Gas Open Burner

GETRA

bali
coolers
www.balicoolers.com



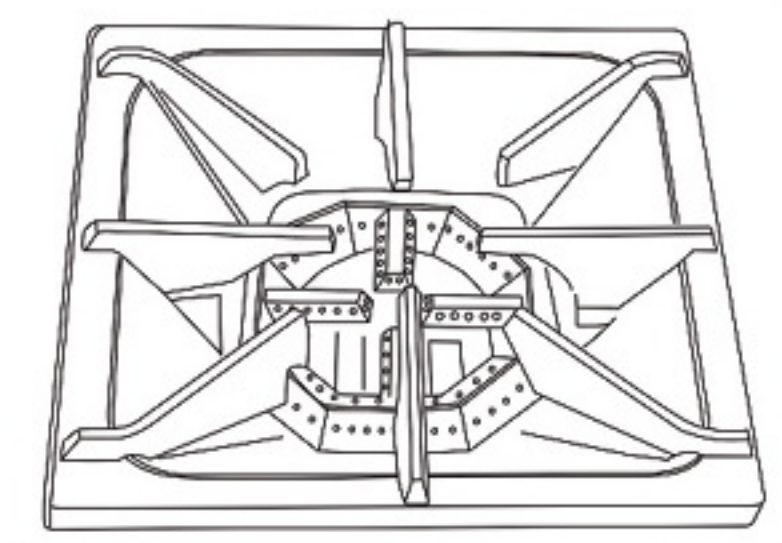
LOW PRESSURE



RBJ-4
4 Burner Gas Range + Oven



RBJ-6
6 Burner Gas Range + Oven



Octagon furnace design for more even heat energy saving and easy to clean

- Heavy duty gas range
- The mat is made of die casting
- Body stainless steel
- Cooked quickly

| TYPE | DIMENSION (L x W x H) (cm) | | GAS POWER | | Gas Cons. (Kg/hour) | WEIGHT (kg) Nett Gross |
|-------|----------------------------|----------------|------------|--------|---------------------|-----------------------------|
| | Unit | Oven | Burner | Oven | | |
| RBJ-4 | 70 x 80 x (85+10) | 47 x 59 x 29 | 4 x 7,2 kW | 6,5 kW | 2,56 | 136 / 145 |
| RBJ-6 | 105 x 80 x (85+10) | 69,5 x 59 x 29 | 6 x 7,2 kW | 6,5 kW | 3,61 | 182 / 223 |



RPG-4
Gas Flat Griddle + Cabinet Griddle (60x45cm)



RPG-4B
Gas Half Grooved Griddle + Cabinet Griddle (60x45x2cm)



RSK-3
Gas Lava Rock + Cabinet Griddle (55x45cm)

| TYPE | DIMENSION (L x W x H) (cm) | GAS POWER | Gas Consump. (Kg/hour) | WEIGHT (kg) Nett Gross |
|--------|----------------------------|-----------|------------------------|-----------------------------|
| | Unit | Burner | | |
| RPG-4 | 70 x 80 x (85+10) | 2 x 7 kW | 1,02 | 119 / 134 |
| RPG-4B | 70 x 80 x (85+10) | 2 x 7 kW | 1,02 | 117 / 134 |
| RSK-3 | 70 x 80 x (85+10) | 3 x 5 kW | 1,09 | 102 / 130 |

Price exclude gas pipe, regulator & installation

INDUCTION S/S KWALI RANGE

GETRA[®]

bali
coolers
www.balicoolers.com



S/s Electric Kwali Range

Kompur induksi (electric kwali range) besar menggunakan tenaga listrik ini dirancang untuk memasak makanan, menggoreng, menumis, merebus aneka masakan (asian food, dll)



Features

- Stainless steel body
- Fix power 12kW
- Digital power display
- Indicator Hot & Power Light
- 1 s/s soup ring
- Faucet
- Diameter of induction pot: Ø 40 cm

| TYPE | DIMENSION (cm) | | | BURNER (pcs) | POWER (Watt) | VOLTAGE | WEIGHT (kg) | |
|---------|----------------|----|-----|--------------|--------------|--------------|-------------|-------|
| | L | W | H | | | | Nett | Gross |
| ES-1091 | 100 | 90 | 120 | 1 | 12000 | 380V/3P/50Hz | 110 | 140 |
| ES-1890 | 180 | 90 | 120 | 2 | 2 x 12000 | 380V/3P/50Hz | 186 | 228 |

S/s Electric Cooker with Oven



Big round plate:
2.6kW, Ø23cm

Features

- Thermostat
- Temp. range : 50 ~ 300 °C
- Indicator Hot & Power Light
- Big & small round hot plate
- Handle door

Small round plate:
2kW, Ø19cm



S/s Commercial Induction Cooker

Features

- Digital thermostat
- Indicator Hot & Power Light
- Platform thickness: 2mm
- Glass heating size: 30x30cm
- Handle door cabinet



| TYPE | DIMENSION (cm) | | | OVEN SIZE INTERNAL (cm) | POWER (Watt) | VOLTAGE | PLATE (pcs) | WEIGHT (kg) | |
|----------|----------------|----|------|-------------------------|--------------|------------------|-------------|-------------|-------|
| | L | W | H | | | | | Nett | Gross |
| LER-74V | 70 | 70 | 85+7 | 57 x 61 x 31 | 14000 | 380V/3P/ 50Hz | 4 | 88 | 103 |
| LER-76V | 105 | 70 | 85+7 | 57 x 61 x 31 | 18600 | | 6 | 126 | 146 |
| LEIC-94C | 80 | 90 | 85+7 | | 4 x 3,5kW | | 4 | 65 | 83 |

S/s Half Grooved Griddle Plate

GETRA

bali
coolers
www.balicoolers.com



with Cabinet



LEG-7C

Electric Griddle digunakan untuk memanggang aneka jenis masakan seperti steak, sate, ikan, daging dan juga semua jenis masakan yang dapat dimasak menggunakan panggangan plat datar dan grooved.



Features

- Thermostat
- Indicator Hot & Power Light
- 2/3 Flat and 1/3 Grooved
- Handle cabinet
- Adjustable feet



| TYPE | DIMENSION (cm) | | | POWER (Watt) | VOLTAGE | TEMP. RANGE (°C) | WEIGHT (kg) Nett Gross |
|--------|----------------|----|------|--------------|--------------|------------------|-----------------------------|
| | L | W | H | | | | |
| LEG-7C | 70 | 70 | 85+7 | 8000 | 380V/3P/50Hz | 50 ~ 300 | 93 / 108 |

S/s Electric Boiling Pan

S/s Electric Tilting Pan

Features

- Stainless steel body
- Thermostat
- Indicator Hot & Power Light
- Adjustable feet

Features:

- Inner pot S/s 304
- Digital controller
- Round tilting handle
- Stainless steel body

Features

- Stainless steel body
- Thermostat
- Indicator Hot & Power Light
- Adjustable feet
- Round tilting handle
- Inner pot S/s 304 (ZH1500)



ZH900-TO



ESP-1000T-200



ZH900-TS
ZH1500-TS

| TYPE | DIMENSION (cm) | | | VOLUME (L) | POWER (Watt) | VOLTAGE | TEMP. (°C) | WEIGHT(kg) Nett Gross |
|---------------|----------------|-----|------|------------|--------------|--------------|------------|----------------------------|
| | L | W | H | | | | | |
| ZH900-TO | 80 | 90 | 85+7 | 100 | 15000 | | 30 ~ 110 | 120 / 140 |
| ESP-1000T-200 | 145 | 104 | 114 | 200 | 22000 | 380V/3P/50Hz | 30 ~ 100 | 200 / 240 |
| ZH900-TS | 80 | 90 | 85+7 | 80 | 12000 | | 30 ~ 300 | 145 / 163 |
| ZH1500-TS | 140 | 110 | 95 | 150 | 15000 | | 30 ~ 300 | 200 / 230 |

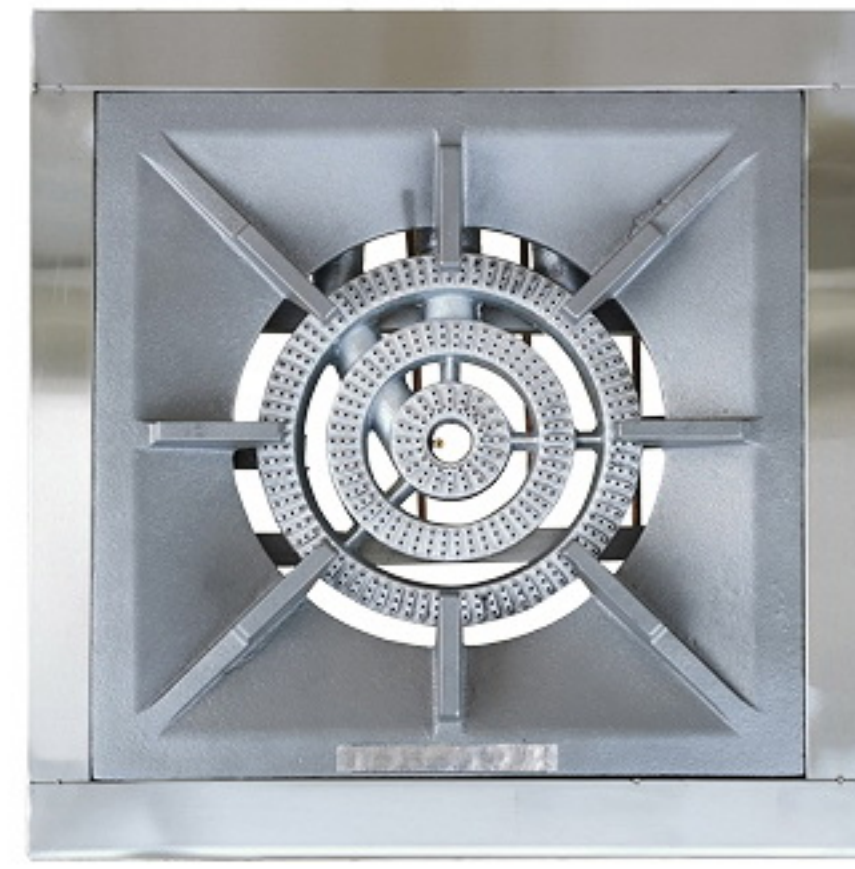
Gas Stock Pot



Kompur heavy duty ini untuk memasak air / kuah sup skala besar dalam pot



SP-1DX



Features

- Stainless steel body
- 3 knobs for triple ring burner

Gas Pressure:
2800 pa

| TYPE | DIMENSION (cm) | | | GAS | | WEIGHT |
|--------|----------------|----|----|-------|-------------|--------|
| | L | W | H | Power | Consumption | Gross |
| SP-1DX | 60 | 62 | 50 | 25 kW | 1,82 Kg/h | 47 kg |

Price exclude gas pipe, regulator & installation

Gas Stand Burner



Features

- Cast iron gas stove
- Auto ignition
- With a 5-leg bowl

Features

- Cast iron gas stove
- Auto ignition
- With a 5-leg bowl
- Diameter: 32 cm
- Length: 59 cm

Features

- Cast iron gas stove
- Manual zinc alloy valve
- 4 direct pipe with cast iron trivet
- Diameter: 49 cm
- Length: 71.5 cm



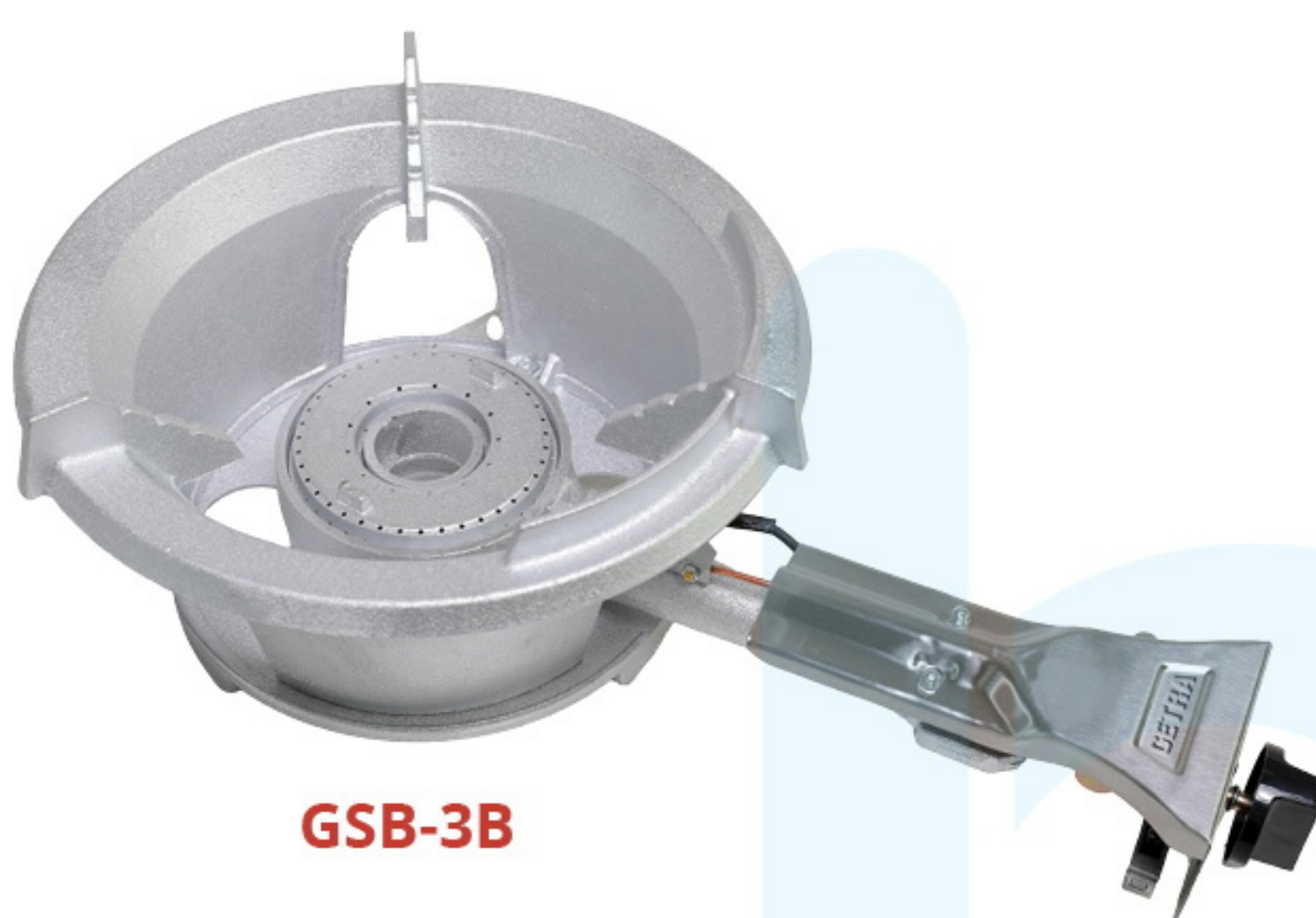
GSB-21A



GSB-31F



GSB-TM50



GSB-3B



GSB-3BS

Features

- Cast iron gas stove
- Auto ignition
- Bowl includes two parts: bowl body and base
- Big stainless steel badge

| TYPE | DIMENSION (cm) | | | GAS | | WEIGHT |
|----------|----------------|------|------|-------|---------------|-----------|
| | L | W | H | Power | Consumption | NW/GW |
| GSB-21A | 54 | 29 | 13 | 6 kW | 0,436 Kg/hour | 5,1 / 5,6 |
| GSB-31F | 59 | 33,5 | 12,5 | 10 kW | 0,727 Kg/hour | 6,2 / 6,7 |
| GSB-TM50 | 72 | 49 | 17,5 | 18 kW | 1,309 Kg/hour | 16 / 16,5 |
| GSB-3BS | 55,5 | 37,5 | 19,5 | 18 kW | 1,309 Kg/hour | 7 / 7,8 |
| GSB-3B | 54 | 31,5 | 18 | 18 kW | 1,309 Kg/hour | 5,4 / 5,8 |

Price exclude gas pipe, regulator & installation

Gas 4 Open Burner

GETRA

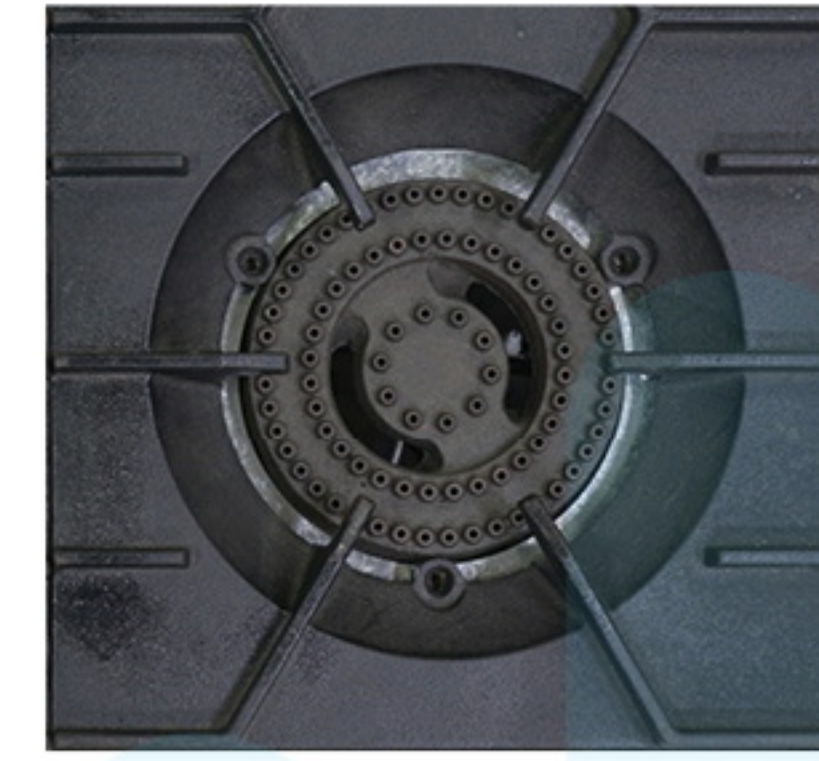
bali
coolers
www.balicoolers.com



OL-GOB-60

Features

- Oil tray
- Knob burner
- Gas flow 0,54 m³/hour
- Gas pressure: 2800pa



| TYPE | DIMENSION (cm) | | | GAS POWER | Gas Cons. (Kg/hour) | GAS FLOW (m ³ /hour) | NW/GW (kg) |
|-----------|----------------|------|----|------------|---------------------|---------------------------------|------------|
| | L | W | H | | | | |
| OL-GOB-60 | 60,5 | 71,5 | 42 | 4 x 2,5 kW | 2,43 | 0,54 | 33 / 39,5 |

Price exclude gas pipe, regulator & installation

S/S Gas Griddle



OL-GGR-60F
Full Flat Griddle

Features

- Thickness of the grill is 10mm
- Drain hole
- Oil tray
- Grill area : 55x41,5cm



OL-GGR-60H
Half Flat Half Grill

Gas Pressure:
2800 pa



| TYPE | DIMENSION (cm) | | | GAS POWER | Gas Cons. (Kg/hour) | GAS FLOW (m ³ /hour) | NW/GW (kg) |
|------------|----------------|------|----|-----------|---------------------|---------------------------------|------------|
| | L | W | H | | | | |
| OL-GGR-60F | 61,5 | 71,5 | 42 | 2 x 7 kW | 1,05 | 0,288 | 32 / 41 |
| OL-GGR-60H | 61,5 | 71,5 | 42 | 2 x 7 kW | 1,05 | 0,288 | 31 / 41 |

S/S Gas Deep Fryer



OL-GFR-60

Features

- Gas pressure 2800 pa
- Gas flow 0,288 M³/hour
- Max level oil @9L
- 2 pcs fryer basket

S/S Gas Char Broiler



OL-GCB-60

Features

- Gas pressure 2800 pa
- Oil tray
- Gas flow 0,372 M³/hour
- No fire stone
- Grill area: 60x52cm

| TYPE | DIMENSION (cm) | | | GAS POWER | Gas Cons. (Kg/hour) | TANK VOLUME | NW/GW (kg) |
|-----------|----------------|------|----|-----------|---------------------|-------------|------------|
| | L | W | H | | | | |
| OL-GFR-60 | 62 | 71,5 | 42 | 2 x 7 kW | 1,05 | 2 x 13 L | 23,5 / 31 |
| OL-GCB-60 | 67 | 71,5 | 42 | 2 x 6 kW | 1 | - | 43 / 63 |

Price exclude gas pipe, regulator & installation



Gas Open Burner

Kompur untuk memasak makanan yang digunakan dalam skala besar, seperti: restoran, catering, dll.



LOW PRESSURE

4 Open Burner



SC-BZ-R4

6 Open Burner



SC-BZ-R6

Features

- Oil tray
- Knob burner & pilot
- Counter top design
- Adjustable feet

| TYPE | DIMENSION (cm) | | | GAS POWER | Gas Cons. (Kg/hour) | WEIGHT (kg) Nett Gross |
|----------|----------------|------|------|-------------|---------------------|-----------------------------|
| | L | W | H | | | |
| SC-BZ-R4 | 61,6 | 81,5 | 31,5 | 4 x 3,95 kW | 2,8 | 55,4 / 60,4 |
| SC-BZ-R6 | 92 | 81,5 | 31,5 | 6 x 3,95 kW | 4,2 | 77,8 / 82,8 |

Price exclude gas pipe, regulator & installation

Gas Open Burner With Stand

4 Open Burner with under shelf



SC-BZL-R4

6 Open Burner with under shelf



SC-BZL-R6



LOW PRESSURE

Features

- Oil tray
- Knob burner & pilot
- Free stand with under shelf
- Adjustable feet

| TYPE | DIMENSION (cm) | | | GAS POWER | Gas Cons. (Kg/hour) | WEIGHT (kg) Nett Gross |
|-----------|----------------|------|----|-------------|---------------------|-----------------------------|
| | L | W | H | | | |
| SC-BZL-R4 | 61,6 | 81,5 | 87 | 4 x 3,95 kW | 2,8 | 61 / 66 |
| SC-BZL-R6 | 92 | 81,5 | 86 | 6 x 3,95 kW | 4,2 | 84,4 / 89,4 |

Price exclude gas pipe, regulator & installation



Gas Noodle Cooker

Kompur untuk merebus mie berbahan bakar gas bertekanan rendah



OL-GPC-60

Features

- 6 holes joined in one tank
- 6 pcs noodle basket
- 2 burners
- Gas pressure: 2800pa
- Gas flow 0,372 M³ / hour
- Drain valve

| TYPE | DIMENSION (cm) | | | GAS POWER | Gas Cons. (Kg/hour) | TANK VOLUME | NW/GW (kg) |
|-----------|----------------|------|----|-----------|---------------------|-------------|------------|
| | L | W | H | | | | |
| OL-GPC-60 | 56,5 | 75,5 | 42 | 2 x 6 kW | 1 | 29 L | 21 / 28,5 |

S/S Gas Bain Marie



OL-GBM-60

Features

- 2 x 1/2 GN pan,
- 2 x 1/3 GN pan
- With pan cover
- Drain valve
- Gas pressure: 2800pa

| TYPE | DIMENSION (cm) | | | GAS POWER | Gas Cons. (Kg/hour) | GAS FLOW (m ³ /hour) | NW/GW (kg) |
|-----------|----------------|------|----|-----------|---------------------|---------------------------------|------------|
| | L | W | H | | | | |
| OL-GBM-60 | 71,5 | 75,5 | 42 | 2 x 6 kW | 1 | 0,372 | 20,5 / 29 |

Counter Top Electric Griddle



OL-EGR-60F
Full Flat Griddle



OL-EGR-60H
Half Flat Half Grill

Features

- Thickness of the grill is 10mm
- Drain hole
- Thermostat knob
- Indicator light
- Oil tray

| TYPE | DIMENSION (cm) | | | GRILL AREA (cm) | POWER (220V/1P) | NW/GW (kg) |
|------------|----------------|----|------|-----------------|-----------------|-------------|
| | L | W | H | | | |
| OL-EGR-60F | 61,5 | 62 | 31,5 | 55 x 41,5 | 2800+2800W | 32 / 37,6 |
| OL-EGR-60H | 61,5 | 62 | 31,5 | 55 x 41,5 | 2800+2800W | 31,5 / 36,8 |

Price exclude gas pipe, regulator & installation



Salamander

Gas Salamander

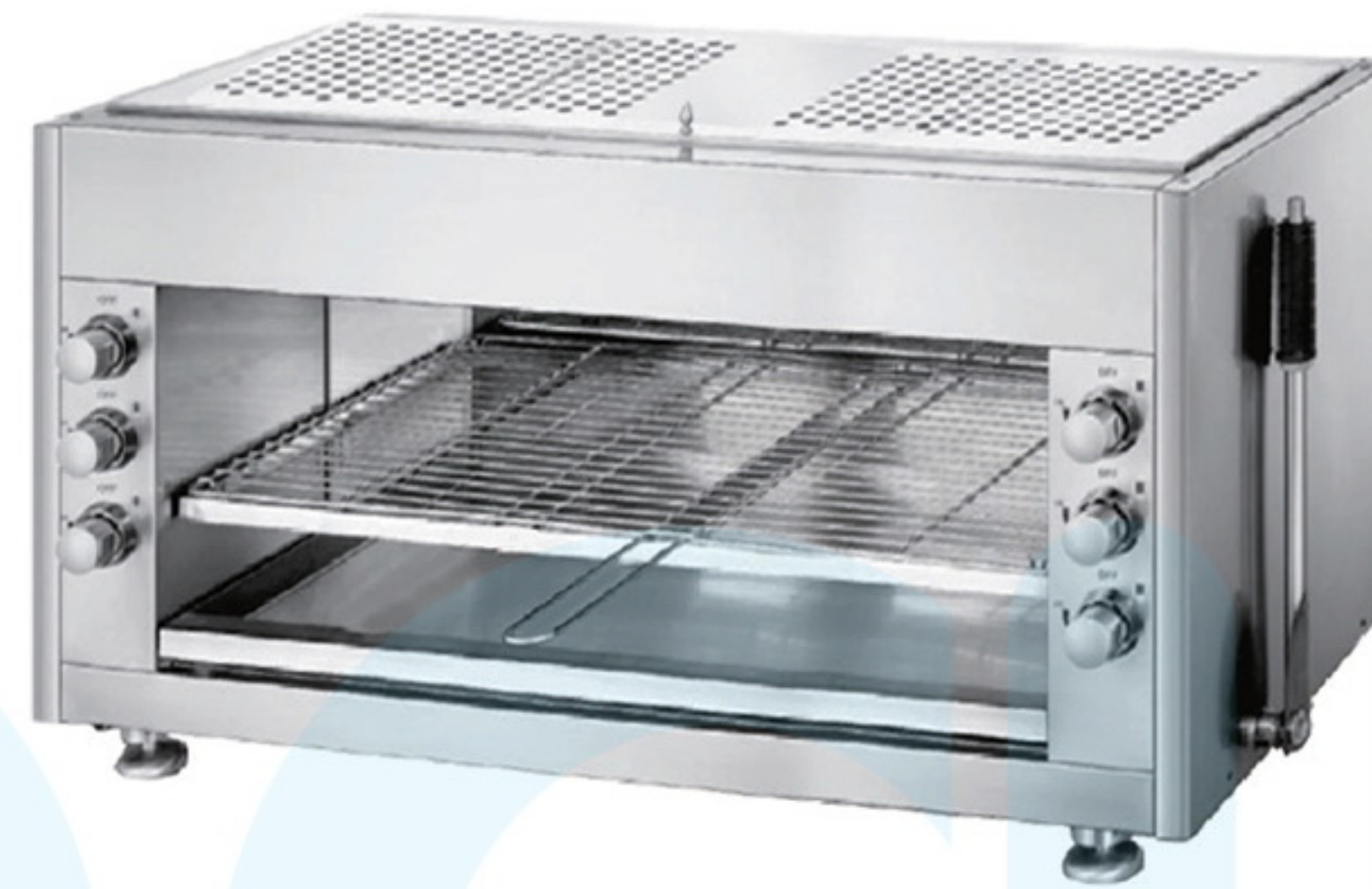
Kompas yang dirancang dengan tungku di bagian atas, berguna untuk memanggang permukaan makanan bagian atas agar tampak kecoklatan dan menarik seperti pada creme brulee.



LOW PRESSURE



BS-333M
Shelf size : 45,5x41cm



BS-316M
Shelf size : 61*41cm

Features

- Stainless steel plates
- The best quality components
- The height of the Grill can be adjusted with the lever
- Reliable infrared furnace
- Oil tray

| TYPE | DIMENSION (cm) | | | GAS POWER | Gas Cons. (Kg/hour) | WEIGHT (kg) Nett Gross |
|---------|----------------|------|------|-----------|---------------------|-----------------------------|
| | L | W | H | | | |
| BS-333M | 73 | 50,5 | 58,5 | 3 x 3kW | 0,84 | 23 / 26 |
| BS-316M | 92 | 50,5 | 58,5 | 6 x 3kW | 1,32 | 30 / 32 |

Electric Salamander

PRODUCT IMPROVED

Alat pemanggang khusus dengan elemen pemanas di bagian atas yang digunakan untuk memanggang permukaan makanan bagian atas agar tampak kecoklatan atau untuk merenyahkan bagian atas makanan. Biasa digunakan untuk keperluan hotel, supermarket, restoran, restoran cepat saji, dll.



BS-333E
Shelf size : 45,5x41 cm



BS-316E
Shelf size : 61x41 cm

Features

- High quality stainless steel body
- 2 thermostat knobs and independent temperature control
- Quartz heater
- Suitable for restaurant kitchen, hotel, catering chainshops, etc

| TYPE | DIMENSION (cm) | | | WATT (220V/1P) | SHELF SIZE (cm) | NW/GW (kg) |
|---------|----------------|------|------|----------------|-----------------|------------|
| | L | W | H | | | |
| BS-333E | 70,5 | 50,5 | 58,5 | 4 kW | 45,5 x 41 | 20 / 24,5 |
| BS-316E | 90 | 50,5 | 58,5 | 6 kW | 61 x 41 | 26 / 28,5 |



Electric Kebab Slicer

GETRA



KSE-100E

Mesin elektrik untuk mengiris daging kebab menjadi irisan pipih (bisa diatur 0 ~ 8 mm), dengan diameter pisau 10 cm.



| TYPE | DIMENSION (cm) | | | POWER (220V/1P/50Hz) | GROSS WEIGHT (kg) |
|----------|----------------|----|------|----------------------|-------------------|
| | L | W | H | | |
| KSE-100E | 23 | 18 | 26,5 | 80 W | 1,2 / 1,7 |

Gas Kebab Grill



HGV-850OL

HGV-1050OL

HGV-1250OL



Features

- Infrared ceramic plate burner
- Piezoelectric ceramic ignition
- Stainless steel body
- Automatic rotating
- Adjustable grill distance
- Separate knob burner
- Power switch
- Feet

(*) Disarankan menggunakan tabung LPG 20 Kg

| TYPE | DIMENSION (cm) | | | POWER | | Gas Cons. (Kg/hour) | CAPACITY (kg) | GROSS WEIGHT (kg) |
|------------|----------------|----|-----|---------|----------|---------------------|---------------|-------------------|
| | L | W | H | Gas | Electric | | | |
| HGV-850OL | 62 | 62 | 87 | 3 x 4kW | 40 W | 0,7 | 30 | 26 / 41 |
| HGV-1050OL | 62 | 62 | 105 | 4 x 4kW | 40 W | 0,93 | 40 | 28 / 45,5 |
| HGV-1250OL | 62 | 62 | 125 | 5 x 5kW | 60 W | 1,17 | 40 | 30 / 50 |

Sous Vide (Slow Cooker)



SC-011

Features

- Digital controller (thermostat & timer)
- Water pump for water circulation system
- Stainless Body easy to clean, Shelves for separate : S/s 304
- Drainage valve
- Seamless water tank

Teknik memasak menggunakan media air dengan sistem sirkulasi oleh pompa air untuk pemerataan suhu produk, dilengkapi thermostat digital untuk setting suhu panas air agar stabil dan presisi (akurasi +1) serta timer untuk pengaturan lamanya (4 ~ 6 jam) proses cooking. Produk biasanya dimasukan ke dalam plastik zipper terlebih dahulu sebelum dimasukan ke dalam tanki air. Teknik ini menghasilkan produk yang matang merata (tidak over cook) dan menjaga kelembapannya, produk terjaga nutrisinya, rasa dan tekstur daging lebih optimal. Cocok diaplikasikan untuk steak daging, ayam, ikan atau seafood pada Restoran, Hotel, Catering, dll.

| TYPE | DIMENSION (cm) | | | CAPACITY (L) | POWER 220V/1P/50Hz | TEMP. RANGE (°C) | WEIGHT (kg) Nett Gross |
|--------|----------------|----|----|--------------|--------------------|------------------|--------------------------|
| | L | W | H | | | | |
| SC-011 | 62 | 36 | 30 | 24 L | 700 W | 30 ~ 95 | 12 / 14,2 |



Kanto / Oden Cooker

Kanto Cooker / Mesin pemasak masakan Jepang



OKB-2

Features

- Thermostat for each pan
- Double pan for energy efficiency
- Power switch ON/OFF
- Indicator light
- 2 heater plate
- Wooden frame
- Each pan has 9 grids
- Spoon holder
- Material Bowl/GN Pan: SS 304
- Block thickness: 0.7mm
- Shell thickness: 1.0mm

| TYPE | DIMENSION (cm) | | | VOLUME | POWER 220V/1P/50Hz | TEMPERATURE (°C) | GW/NW (Kg) |
|-------|----------------|----|----|-----------|-----------------------|---------------------|---------------|
| | L | W | H | | | | |
| OKB-2 | 57 | 37 | 45 | 2 x 2,5 L | 1,3kW x 2 | 50 ~ 100 | 15 / 20 |

Indoor Korean BBQ Chimney

Exhaust pipe untuk menghisap asap di meja barbeque Korea.



IKBC-230C



IKBC-280B

Features

- Stainless steel body
- Power ON/OFF
- Include motor, should be connected to main duckting
- Foil hose 100cm



H: 8,5 cm

Ø 30 cm



| TYPE | DIMENSION (cm) | | WATT (220V/1P) | WEIGHT (kg) |
|-----------|----------------|-----------|-------------------|----------------|
| | Ø | L | | |
| IKBC-230C | 30 | 158 ~ 230 | 120 W | 8,5 |
| IKBC-280B | 30 | 88 ~ 280 | 120 W | 5,4 |



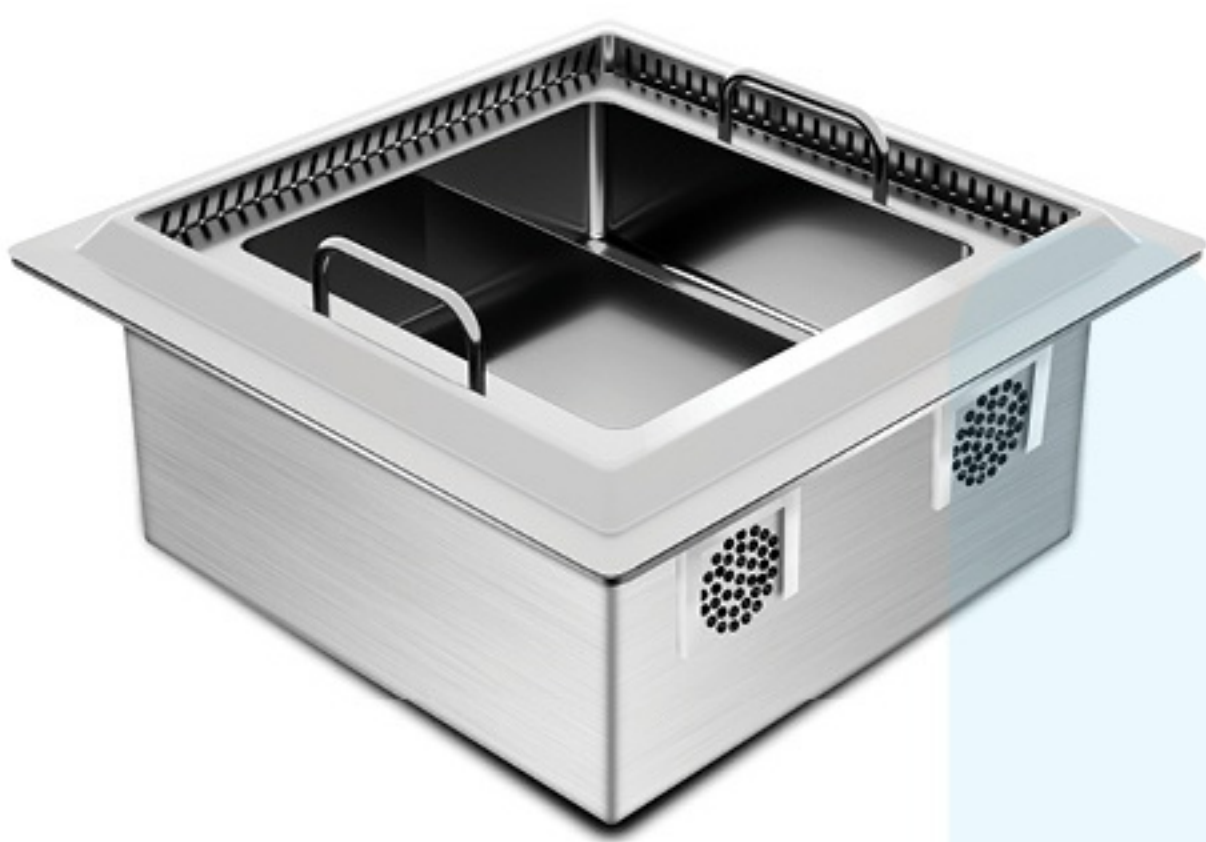
Smokeless Electric Hot Pot

Stainless steel Pot dengan teknologi memasak tanpa asap, dengan 8 pipa hisap mampu menghisap uap proses memasak yang mengandung minyak sehingga partikel asap disaring melalui box pemurnian actived filter (aluminium filter, actived charcoal filter, dan cotton filter) untuk penyerapan optimal, juga sinar UV mampu membunuh bakteri dan virus. Menjadikan kenyamanan saat menyantap hidangan yang sehat dan higienis di Restoran.

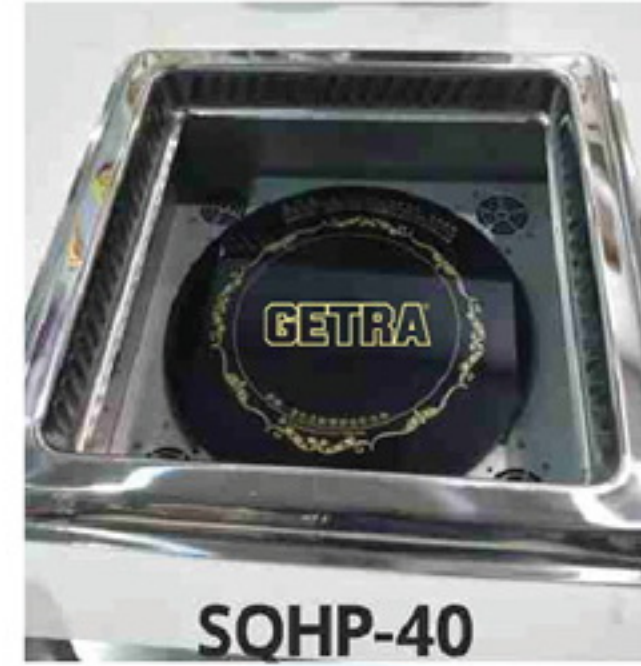


Square Hotpot Induction Cooker

Smokeless system dijual terpisah



SQHP-40
Sistem Tanam



Features

- Pot : S/s 304 (2 flavours) Food Grade
- Hole size : 40x40 cm



Smokeless



Round Hotpot Induction Cooker

Smokeless system dijual terpisah



RDHP-42
Sistem Tanam



Features

- Pot : S/s 430 (2 flavours) Food Grade
- Hole size Ø42 cm



Smokeless



Octagon Hotpot Induction Cooker

Smokeless system dijual terpisah



OCHP-38
Sistem Tanam

Features

- Pot : S/s 304 (2 flavours) Food Grade
- H2O Steel ring + cover
- Hole size Ø37 cm



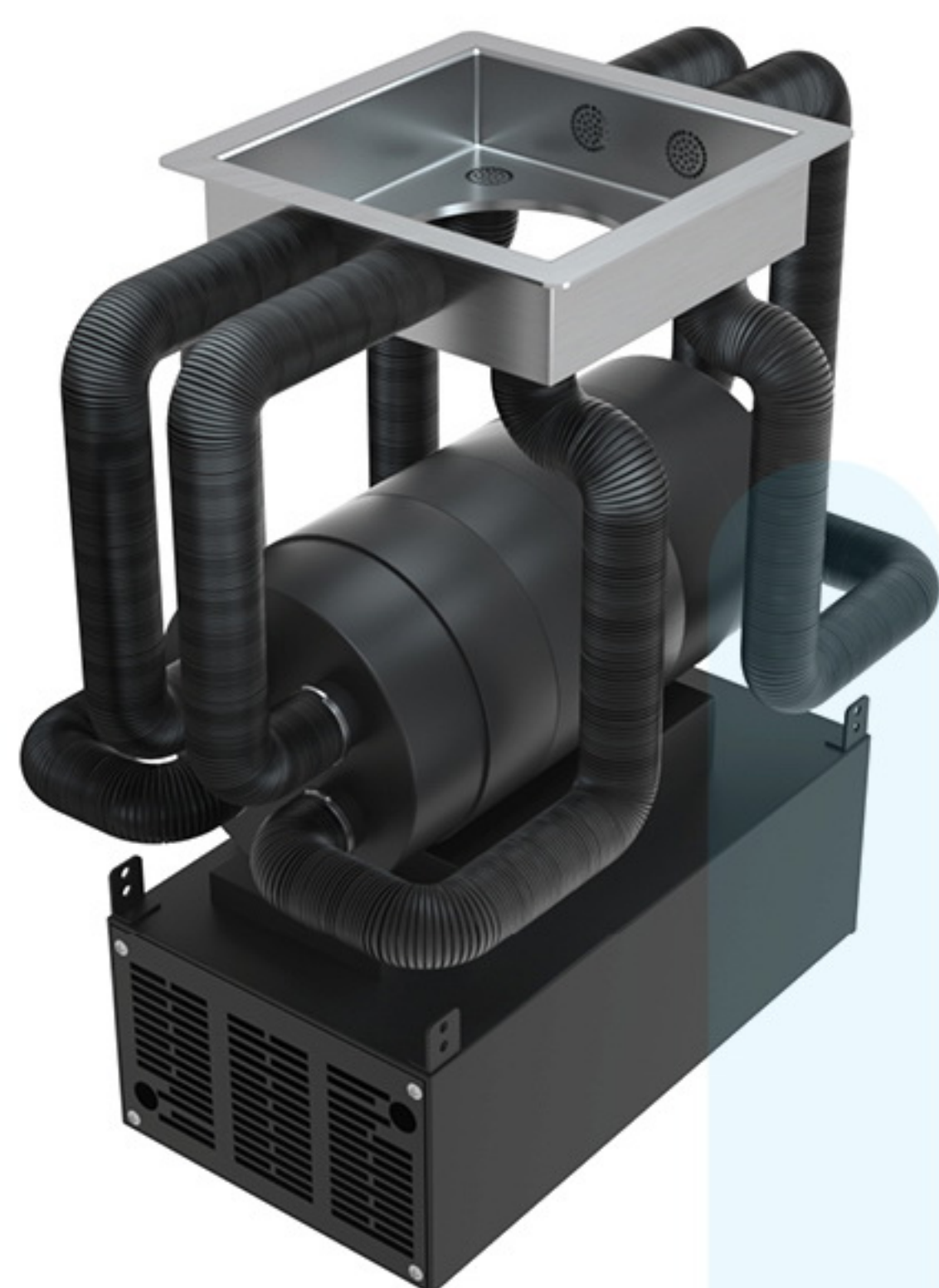
Induction Cooker



Kabel digital panel control : 1,5 m

Contoh aplikasi hot pot system ditanam di meja makan (tidak termasuk meja)

Hot Pot Smokeless System



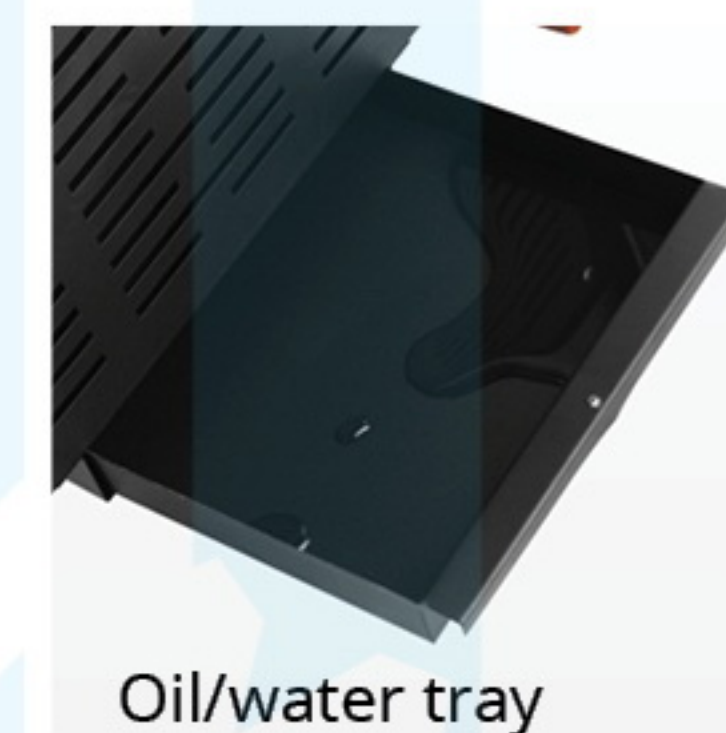
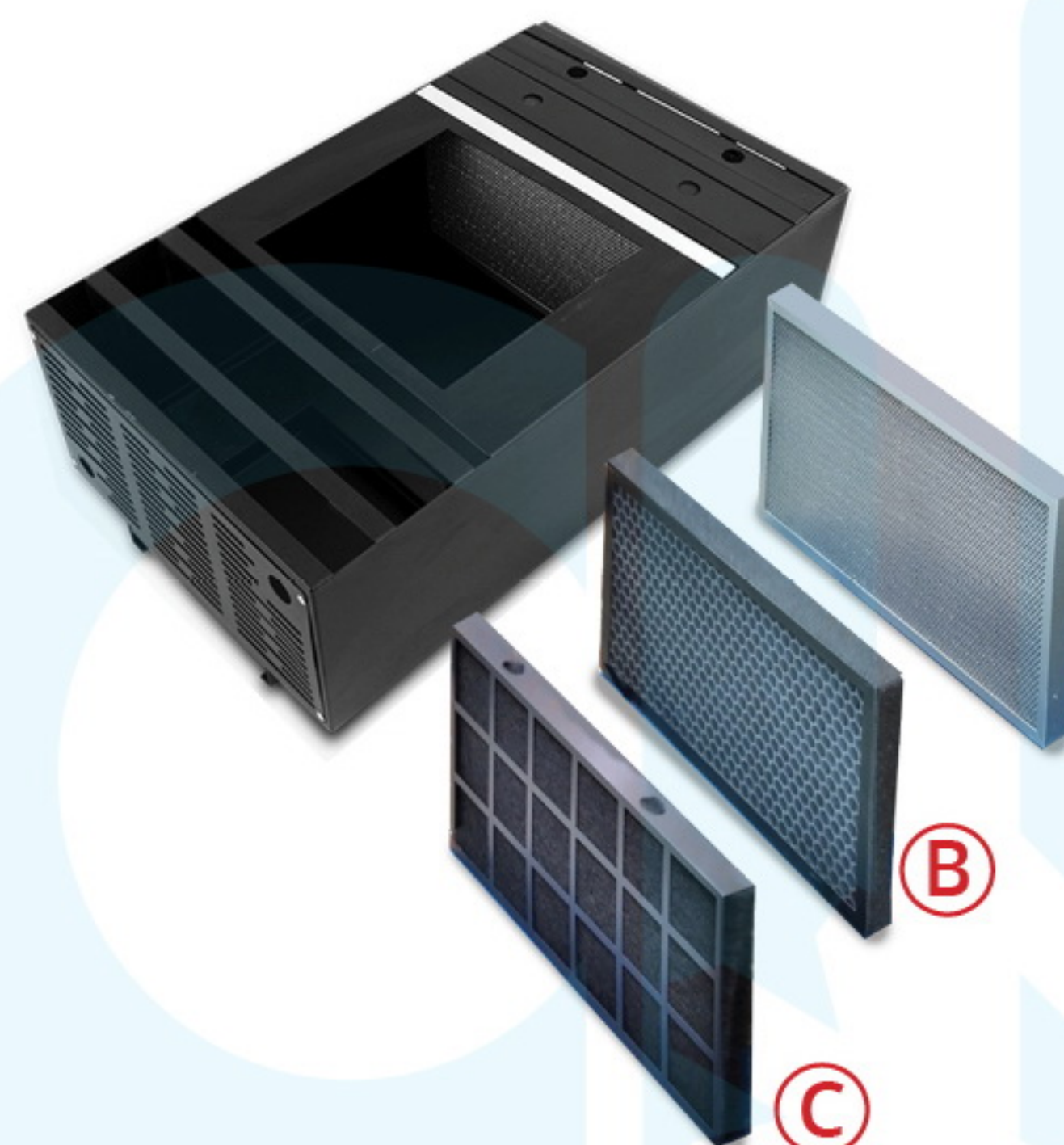
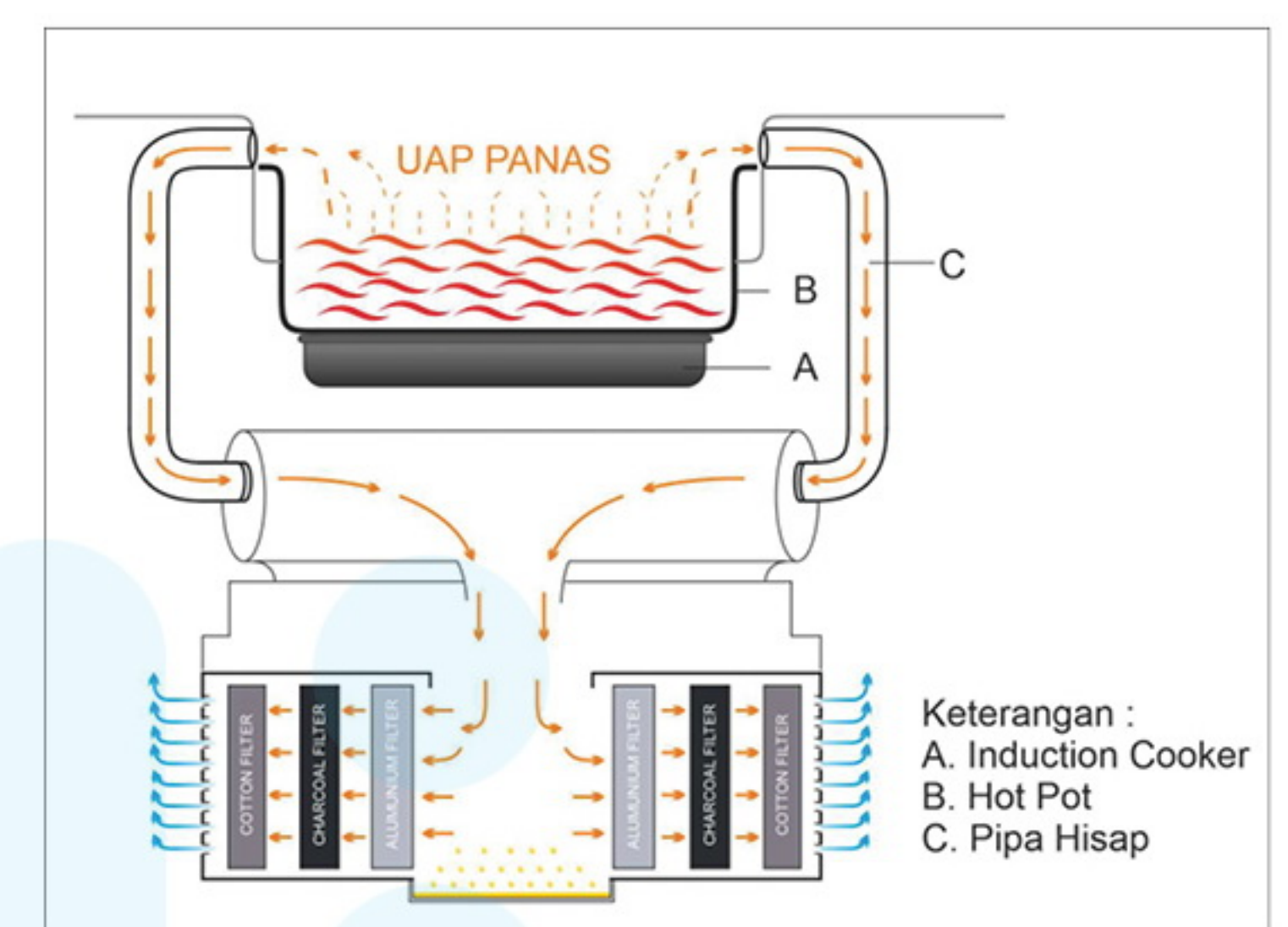
WY-DG8

- Sistem penghisap asap (uap) proses memasak dengan 8 pipa penghisap, hisap + actived charcoal filter & lampu UV



Features

- Speed: 1350 r/min
- Air flow: 1050m³/h
- UV light
- Smoke exhaust pipe
- Aluminium filter (A)
- Activated charcoal filter (B)
- Cotton filter (C)
- Oil/water tray



Gratis 1 set filter cadangan

| TYPE | DIMENSION (cm) | | | HOLE SIZE (cm) | VOLUME (L) | WATT 220V/1P/50Hz | WEIGHT (Kg) |
|---------|----------------|------|------|----------------|------------|-------------------|-------------|
| | L | W | H | | | | |
| SQHP-40 | 63 | 63 | 38,5 | 40 x 40 | 7,5 | 3000 | 8,8 |
| RDHP-42 | | Ø 38 | | Ø 42 | 4,9 | 3000 | 7,3 |
| OCHP-38 | | Ø 34 | | Ø 37 | 7 | 3000 | 5,3 |
| WY-DG8 | 62,5 | 38,2 | 51,7 | - | - | 125 | 20,3 |

Induction Cooker

GETRA

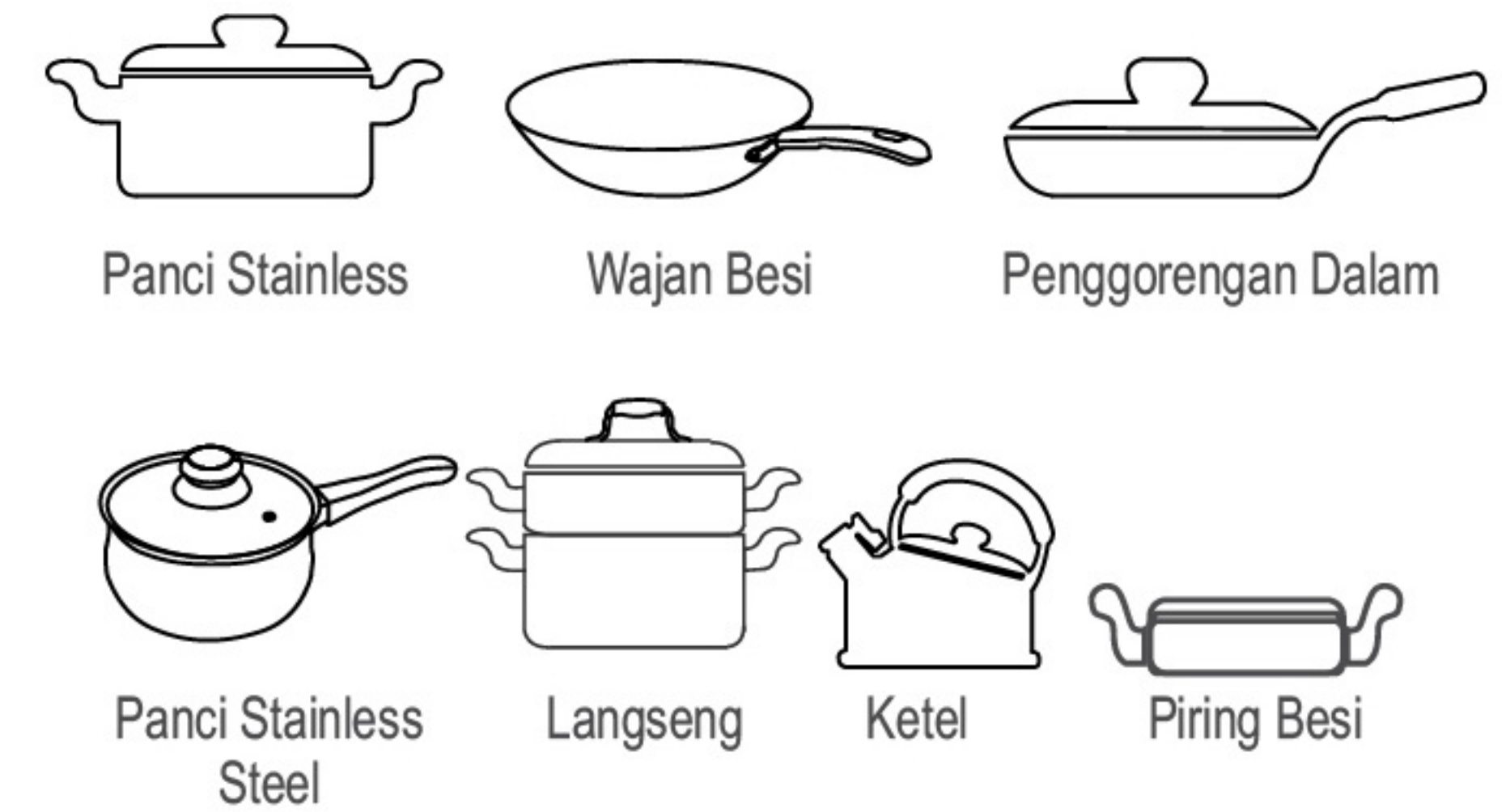
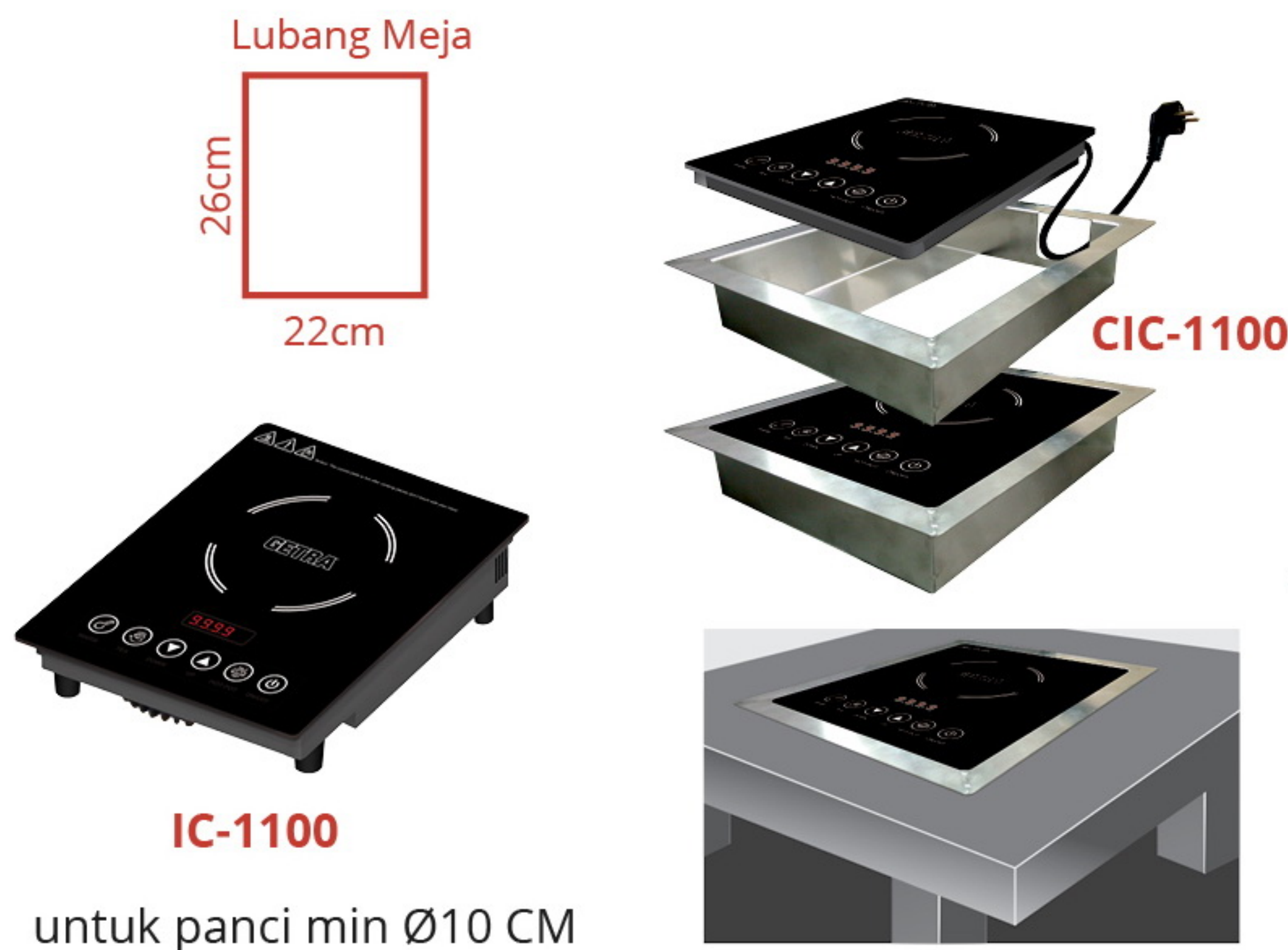
bali
coolers
www.balicoolers.com



Kompur Induksi sangat efisien, bisa memilih daya (Watt) sesuai kebutuhan.



A) Flat Plate Induction Cooker (Permukaan Datar)



peralatan dapur yang boleh digunakan pada kompor (dari bahan besi atau besi cor, berlapis besi, stainless steel, panci dengan dasar rata Ø 10 ~ 15 cm)



Features

- S/s 304 housing
- Knob kontrol to adjust power
- Digital display
- Power, timer 0 ~ 180 minute, temperature touch button
- Temperature : 80 ~ 280°C
- Cooking zone : Ø 18 cm
- Timer: 0~180 minute

B) Concave Induction Cooker (Tipe Permukaan Cekung)



Features

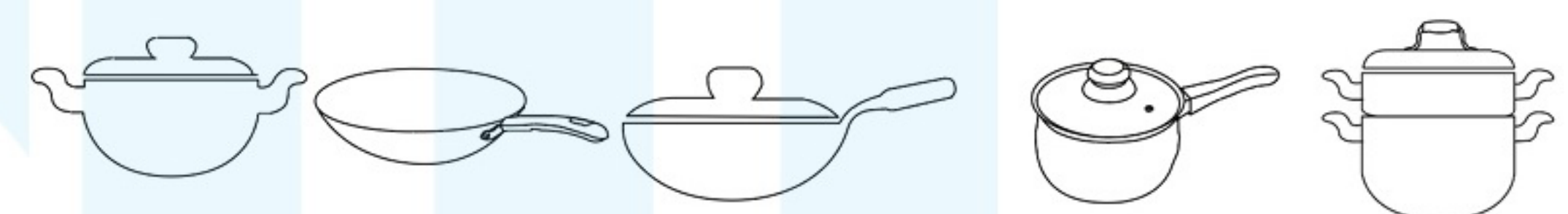
- Stainless Steel body
- Aluminum heating plate
- Knob kontrol to adjust power
- Touch Control
- 10 adjustable power levels (400W-3500W)
- Firepower adjustment/stir-fry/ Display battery level/pause key
- Temperature : 60 ~270°C
- Time off timer: Adjustable within 24 hours



Glass on the heating plate size: Ø27,7*42mm



Dual fans for heat dissipation



Peralatan dapur yang boleh digunakan dari bahan besi, besi cor, berlapis besi, stainless steel, panci dengan dasar cekung

| TYPE | DIMENSION (cm) | | | WATT (220V/1P/50Hz) | WEIGHT (kg) |
|----------|----------------|------|-----|--|----------------|
| | L | W | H | | |
| IC-1100 | 21 | 25 | 5,8 | 100,200,300,500,600,700,900,1100 | 1,8 |
| IC-2000 | 31 | 39 | 5,8 | 200, 400, 600, 800, 1000, 1200, 1400, 1600, 1800, 2000 | 4,5 |
| CIC-1100 | 26 | 30 | 5 | S/s casing for IC-1100 | 1 |
| DR-D2-1 | 32,9 | 41,9 | 10 | 400, 600, 1000, 1300, 1600, 2000, 2500, 3000, 3500 | 5,07 / 5,2 |
| CX350-H | 42,5 | 35 | 12 | 400,800,1000,1500,1800,2000,2500, 2800,3000,3500 | 3,6 / 4,1 |



Instant Noodle Boiler

Mesin boiler untuk merebus / masak mie instant dengan cepat dan praktis. Dengan bodi dari stainless steel agar mudah dibersihkan dan control panel digital agar mudah dalam pengoperasiannya, kombinasi teknologi induksi dan heater untuk pemanas air mampu memasak merebus mie secara cepat. Cocok untuk usaha kuliner, restoran, hotel, cafe, bar, cantin, convenience store, dll.



RS27WS

Features

- Touch screen digital controller
- Body stainless steel, Sus 304
- S/s bowl hold cover, hole: Ø 20 cm, size: 25,7x22x2,5 cm
- Power switch
- Water inlet/drain hose



Bowl hold cover



Bowl pad area

Note:

- Selang air tidak untuk dihubungkan ke keran air PDAM / air bertekanan, unit sudah dilengkapi dengan pompa hisap, tidak membutuhkan tekanan air dari luar
- Harus menggunakan bowl, tray, wadah yang terbuat dari stainless steel atau bahan alumunium, dengan permukaan bawah rata

| TYPE | DIMENSION (cm) | | | WATT (220V/1P/50Hz) | WEIGHT NW/GW (kg) |
|--------|----------------|----|------|-------------------------------------|----------------------|
| | L | W | H | | |
| RS27WS | 26 | 42 | 41,8 | Water heater: 800 , Induction: 1200 | 9 / 10 |

Commercial Pressure Cooker

Untuk Presto Bandeng, Ayam, Daging dll.

Features

- Alumunium Casing
- Safety Valve



| TYPE | DIMENSION (cm) | | | CAPACITY (L) | WEIGHT (kg) |
|------|----------------|------|------|-----------------|----------------|
| | L | W | H | | |
| C24 | 25,8 | 24,5 | 27,3 | 7 | 2,1 |
| C28 | 29,8 | 28,3 | 35,8 | 15 | 3,5 |
| C32 | 34,3 | 32,8 | 45,2 | 24 | 4,8 |
| C44 | 46,3 | 45 | 48,8 | 50 | 9,5 |
| C50 | 52,3 | 51 | 52,5 | 75 | 13,3 |
| C70 | 73,1 | 73 | 60 | 135 | 27 |

Gas Deep Fryer

GETRA[®]

Asian Series

bali
coolers
www.balicoolers.com



Table Top Gas Fryer



GF-17MP

Features

- Stable temperature with a thermostat
- Drain valve
- Energy-efficient burner
- Temperatures up to 200°C
- Drain tray
- Without basket
- 1 piece of sodet / filter



LOW PRESSURE

Free Standing Gas Fryer



GF-30MP



Katup Pembuangan
(Tarik Kebawah)



GF-40MP

Penyaring Minyak S/s



Panci Minyak S/s
Volume 23 L



LOW PRESSURE



GF-60MP

Features

- Stable temperature with a thermostat
- Drain valve
- Big capacity, fast heating speed
- Stainless steel body, thickness 1 mm
- Temperatures up to 200°C
- Drain tray (1 pcs)
- Sodet (1 pcs), 2 pcs oil pan



| TYPE | DIMENSION (cm) | | | VOLUME (L) | GAS | | WEIGHT (kg) |
|---------|----------------|----|----|------------|------------|-----------------|-------------|
| | L | W | H | | POWER (kW) | Cons.(Kg/ hour) | |
| GF-17MP | 50 | 65 | 45 | 17 | 6 | 0,44 | 19,2 |
| GF-30MP | 45 | 60 | 97 | 30 | 8 | 0,58 | 35 |
| GF-40MP | 55 | 60 | 97 | 40 | 10 | 0,73 | 39,1 |
| GF-60MP | 85 | 60 | 97 | 60 | 12 | 0,7 | 68 / 72 |

Price exclude gas pipe, regulator & installation

www.balicoolers.com

S/S Oil-Water Gas Deep Fryer

GETRA

bali
coolers
www.balicoolers.com



Mesin penggoreng (Deep Fryer) menggunakan bahan bakar gas, menggunakan media air pada tanki 30 Liter, dan minyak goreng 30 Liter sehingga dapat menghemat penggunaan minyak goreng. Cocok untuk dapur restoran, hotel, catering, cafe untuk menggoreng aneka makanan cepat saji : nugget, french fires, fried chicken, ikan, bebek goreng, dll.



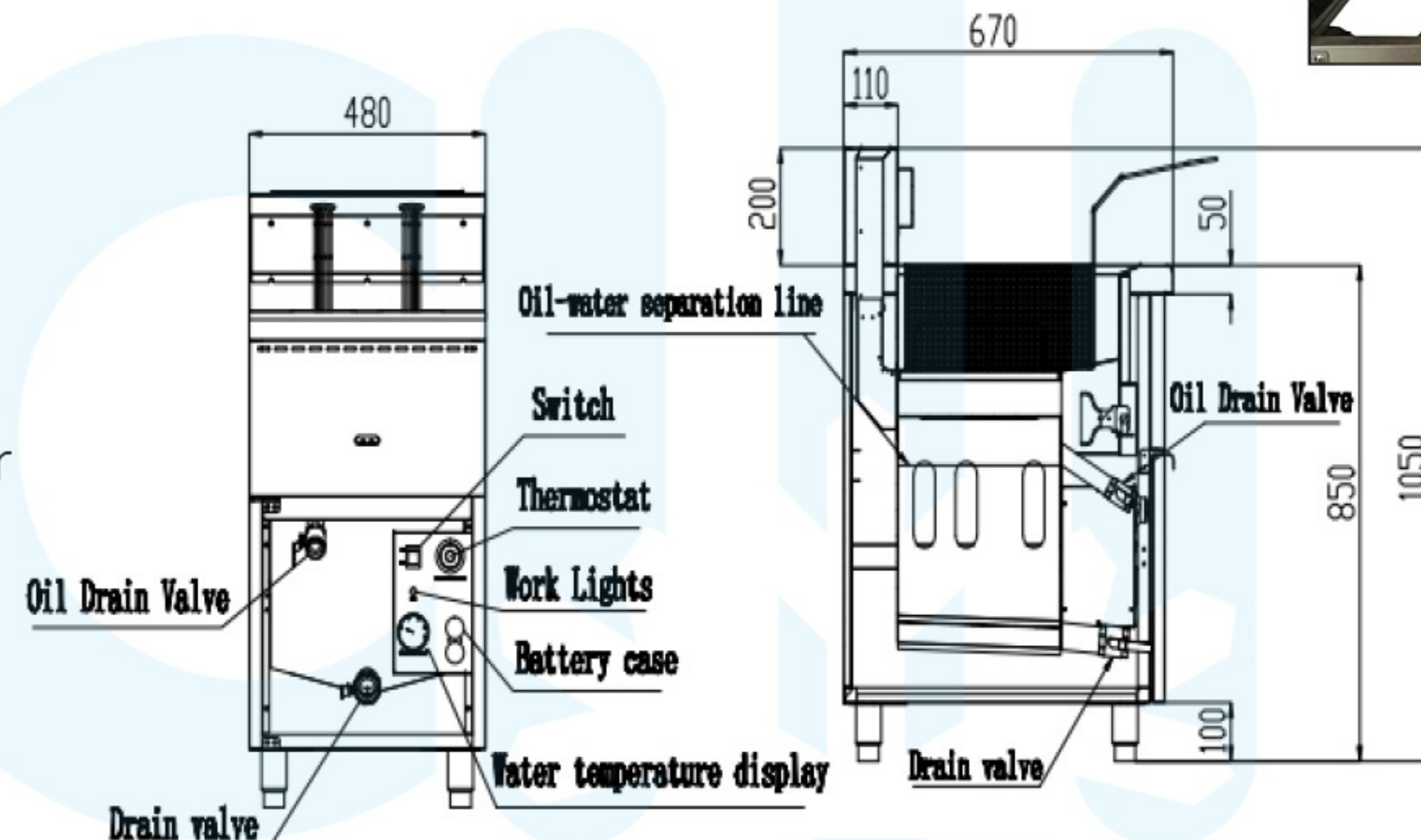
LOW PRESSURE



GF-380YS

Features

- Body Stainless steel
- 2 pcs basket
- Oil drain valve
- AC/DC Switch ignition
- Water drain valve
- Analogue thermostat
- Analogue thermometer for water
- Oil & Gas Saving
- Battery case
- Indicator heat
- Adjustable feet



Panel Kontrol

*) Kuras air dalam tanki setiap hari setelah pemakaian deep fryer!

| TYPE | DIMENSION (cm) | | | TANK SIZE (mm) | MAX CONTENT | | POWER | | WEIGHT (kg) |
|------|----------------|----|----|----------------|-------------|---------|-------|-------------|-------------|
| | L | W | H | | OIL | WATER | GAS | ELECTRICITY | |
| | GF-380YS | 47 | 68 | | 98 | 38 x 45 | 30 L | 30 L | |

Gas Deep Fryer

Features

- Controller Robertshaw, made in USA
- Stainless steel body
- Recessed handle door
- S/s basket + hanger
- 1 pcs s/s wire mesh
- Drain valve + s/s pipe
- Thermostat, main gas switch ON/OFF
- Adjustable feet



Controller Robertshaw



GF-4RS



GF-5RS



GF-3RS

Features

- Robertshaw brand gas valve, thermostat, high-limit, thermocouple and pilot
- Adjust. Temp. 93°~204°C
- 6" adjustable feet
- Front panel S/s 430 thick 1.0mm, left/right side S/s 430 thick 1.0mm, oil tank S/s 304 thickness 1.2mm

| TYPE | UNIT SIZE (cm) | | | TANK SIZE (cm) | | | CAPACITY (L) | GAS POWER (KW) | GAS CONSUMP. (m³/h) | WEIGHT NW/GW (kg) |
|--------|----------------|------|-------|----------------|------|------|--------------|----------------|---------------------|-------------------|
| | L | W | H | L | W | H | | | | |
| GF-4RS | 39,5 | 78 | 112,5 | 35,5 | 35,3 | 42,7 | 20,5 - 24,5 | 13 | 0.6 | 66,5 / 70 |
| GF-5RS | 53,5 | 78 | 112,5 | 49,5 | 35,3 | 42,7 | 30 - 35 | 16.3 | 0.7 | 80 / 83 |
| GF-3RS | 39,5 | 78,5 | 115,5 | 35,5 | 53 | 43 | 19 ~ 24 | 3 x 5kW | 1,1 | 63,4 / 68 |

Gas/Electric Deep Fryer

Gas Deep Fryer

GETRA[®]

bali
coolers
www.balicoolers.com



LOW PRESSURE



L-101GV



L-102GV

Features

- Basket
- With valve
- Feet



Gas Donut Fryer



GFDN-150

Features

- Stainless steel body
- 2/1 GN pan
- Drain tray



| TYPE | SIZE UNIT (cm) | | | MODEL PAN | DIMS. PAN (cm) | | | CAP. (L) | GAS POWER | Gas Cons. (Kg/hour) | NW/GW (kg) |
|----------|----------------|------|------|-----------|----------------|------|----|----------|-----------|---------------------|-------------|
| | L | W | H | | L | W | H | | | | |
| L-101GV | 29 | 53,4 | 45,5 | GN Pan | 32,5 | 26,5 | 15 | 9,2 | 3,5kW | 0,5 | 8,2 / 9,8 |
| L-102GV | 56,5 | 53,4 | 45,5 | GN Pan | 32,5 | 26,5 | 15 | 2 x 9,2 | 2 x 3,5kW | 1 | 13,9 / 12,4 |
| GFDN-150 | 67,6 | 71 | 35 | GN Pan | 65 | 53 | 15 | 25~30 | 2 x 3,5kW | 1 | 20 / 25 |

Price exclude gas pipe, regulator & installation

Gunakan Deep Fryer Oil, minyak yang tahan panas supaya mendapatkan masakan yang renyah dan minyak bisa dipakai berulang

Electric Deep Fryer



EF-88V



EF-89V

Features

- Thermostat
- With valve
- Indicator light (heat, power), 230C temp. limiter
- S/s basket & heater
- Feet



| TYPE | SIZE UNIT (cm) | | | MODEL PAN | DIMS. PAN (cm) | | | CAP. (L) | WATT (220V/1P) | TEMP. (°C) | NW/GW (kg) |
|--------|----------------|------|----|-----------|----------------|------|------|----------|----------------|------------|-------------|
| | L | W | H | | L | W | H | | | | |
| EF-88V | 27,4 | 51,5 | 42 | GN Pan | 26,7 | 32,7 | 19,5 | 11,5 | 3000 | 60~200 | 5,7 / 6,8 |
| EF-89V | 55,8 | 51,5 | 42 | GN Pan | 26,7 | 32,7 | 19,5 | 2 x 11,5 | 2 x 3000 | | 10,8 / 12,5 |

Electric Deep Fryer

GETRA[®]

bali
coolers
www.balicoolers.com



1 Tank - 1 Basket

Features

- Stainless steel body
- Thermostat + Safety Thermostat (*)
- Indicator Hot & Power Light
- Temperature Range 50 ~ 200°C



EF-81



EF-88



LEF-71C

Features

- Stainless steel body
- Thermostat
- Indicator hot & power Light
- 1 tank - 1 basket with cabinet + handle
- Temp. Range 50 ~ 190°C
- Adjustable feet

| MODEL | DIMENSION (cm) | | | MODEL PAN | POWER (Watt) | TANK CAPACITY (L) | WEIGHT (kg) Nett Gross |
|---------|----------------|----|------|-----------|--------------|-------------------|-----------------------------|
| | L | W | H | | | | |
| EF-81 | 27 | 42 | 30 | FP 1/2-6 | 2500 (220V) | 5,5 | 3 / 4 |
| EF-88 | 27 | 42 | 35 | FP 1/2-8 | 2800 (220V) | 8,5 | 4,5 / 5,5 |
| LEF-71C | 35 | 70 | 85+7 | - | 12000 (380V) | 20 | 40 / 51 |

2 Tank - 2 Basket

Features

- Stainless steel body
- Thermostat + Safety Thermostat (*)
- Indicator Hot & Power Light
- Temperature Range 50 ~ 200°C

(*) Safety Thermostat akan memutus arus jika suhu minyak mencapai 230°C

EF-81, EF-88, EF-82, EF-89

Untuk menggoreng kentang, nugget, dll

Features

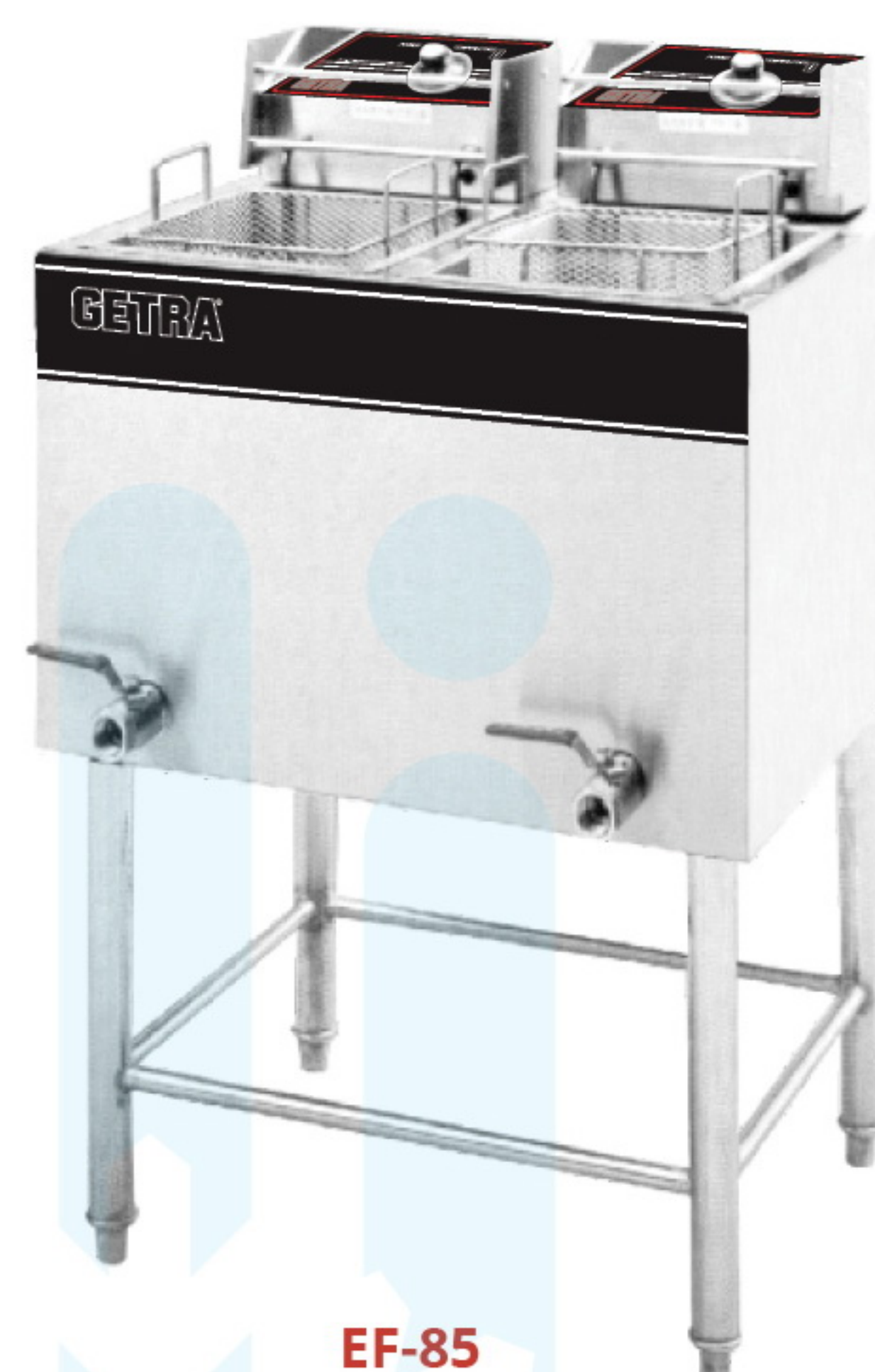
- Drain installed
- For Frying Chicken, Duck, Fish



EF-82



EF-89



EF-85

| MODEL | DIMENSION (cm) | | | MODEL PAN | POWER (Watt) | TANK CAPACITY (L) | WEIGHT (kg) Nett Gross |
|-------|----------------|----|----|-----------|--------------|-------------------|-----------------------------|
| | L | W | H | | | | |
| EF-82 | 53 | 42 | 30 | FP 1/2-6 | 2500 + 2500 | 5,5 x 2 | 6 / 7,5 |
| EF-89 | 53 | 42 | 35 | FP 1/2-8 | 3100 + 3100 | 8,5 x 2 | 8,5 / 10 |
| EF-85 | 61 | 52 | 93 | - | 4000 + 4000 | 14 x 2 | 20 / 21,5 |

Price exclude gas pipe, regulator & installation

Gunakan Deep Fryer Oil, minyak yang tahan panas supaya mendapatkan masakan yang renyah dan minyak bisa dipakai berulang



Table Top

Features

- 1 Tank 1 Basket @ 6 L
- Non Thermostat
- No Drain
- Model Pan FP1/2-6
- 2 Tank with 2 Basket (FP 1/1-6)
- Can be modified 1 tank @12L (FP 1/1-6)
- Non Thermostat/Drain



GF-71



GF-73



GF-101G



GF-102G



GF-20-FS

Free Standing

Features

- 1 Tank @ 30 L
- 2 Basket
- Non Thermostat
- Drain



GF-74



GF-75



LOW PRESSURE

Features

- 2 Tank @ 14 L
- 2 Basket
- Non Thermostat
- Drain

Gas Pressure Fryer



Features

- Constant Temperature
- Drain
- Minisit Thermostat (Made in Italy)
- 1 Tank @20 L
- 2 Basket
- Gas Saving



MDXZ-25C

Features

- Thermostat
- Digital Control
- Temperatur 50~200°C
- Safety Valve
- 1 Basket
- More Crispy Frying
- For Frying : Fish, Chicken, Duck, etc.
- Gas Saving

| TYPE | DIMS. UNIT (cm) | | | MODEL PAN | DIMS. PAN (cm) | | | CAP. (L) | GAS POWER | Gas Cons. (Kg/hour) | NW/GW (kg) |
|----------|-----------------|------|------|--------------|----------------|------|------|----------|------------|---------------------|------------|
| | L | W | H | | L | W | H | | | | |
| GF-71 | 29 | 52 | 44,5 | FP 1/2-6 | 29 | 52 | 44,5 | 6 | 4 kW | 0,29 | 9 / 11 |
| GF-73 | 58 | 52 | 44,5 | 2 x FP 1/2-6 | 58 | 52 | 44,5 | 2 x 6 | 2 x 4 kW | 0,58 | 16 / 17 |
| GF-101G | 29 | 50,5 | 45,5 | FP 1/2-6 | 32,5 | 26,5 | 15 | 9,2 | 3,5 kW | 0,5 | 7 / 8,6 |
| GF-102G | 56,5 | 50,5 | 45,5 | 2 x FP 1/2-6 | 32,5 | 26,5 | 15 | 2 x 9,2 | 2 x 3,5 kW | 1 | 11 / 14,5 |
| GF-74 | 59 | 52 | 96 | - | 52 | 29 | 32 | 1 x 30 | 2 x 8 kW | 1,16 | 25 / 28 |
| GF-75 | 59 | 52 | 96 | - | 23 | 30 | 30 | 2 x 14 | 2 x 8 kW | 1,16 | 27,5 / 31 |
| GF-20-FS | 39 | 80 | 98 | - | 36 | 49 | 20 | 20 | 15 kW | 1,09 | 60 / 68 |
| MDXZ-25C | 46 | 96 | 123 | - | 34 | 40 | 32 | 25 | 42 kW | 3,05 | 120 / 135 |

Price exclude gas pipe, regulator & installation

Gunakan Deep Fryer Oil, minyak yang tahan panas supaya mendapatkan masakan yang renyah dan minyak bisa dipakai berulang

Griller

GETRA[®]

bali
coolers
www.balicoolers.com



LOW PRESSURE

4 Burner BBQ



ET-K222

6 Burner BBQ



ET-K233

6 Burner Big BBQ



ET-K333

Features

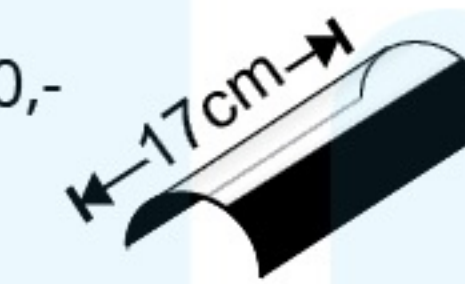
- For grilling satay, otak-otak, steak, fish etc.
- The height of the grill can be set
- Low pressure

OPTIONAL QUART GLASS COVER

Cover / tutup tahan panas Higienis & Mudah Dibersihkan

QG-17

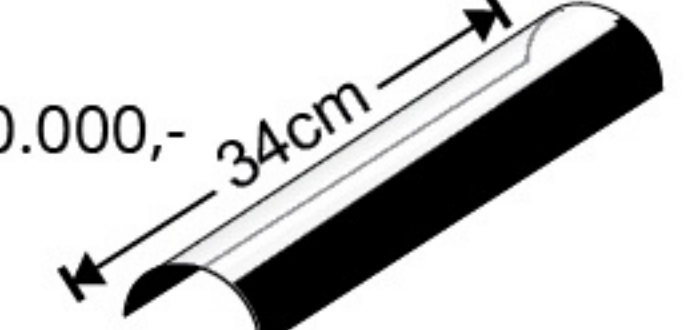
Rp. 100.000,-



untuk ET-K111, ET-K222, ET-K233

QG-34

Rp. 220.000,-



untuk ET-K333

| TYPE | DIMENSION (cm) | | | GAS POWER | Gas Cons. (Kg/hour) | WEIGHT (kg) |
|---------|----------------|----|------|-----------|---------------------|-------------|
| | L | W | H | | | |
| ET-K222 | 58 | 42 | 19,5 | 4 x 5 KW | 1,45 | 9 |
| ET-K233 | 80 | 42 | 19,5 | 6 x 5 KW | 2,18 | 12 |
| ET-K333 | 80 | 58 | 18 | 6 x 6 KW | 2,61 | 16,5 |

Price exclude gas pipe, regulator & installation

Roaster 4 Burner



OL-4B

Features

- 4 infrared furnaces
- Quart Glass Cover (anti-heat, hygienic cover, easy to wash)
- Grill height regulator (maximum 7 cm)

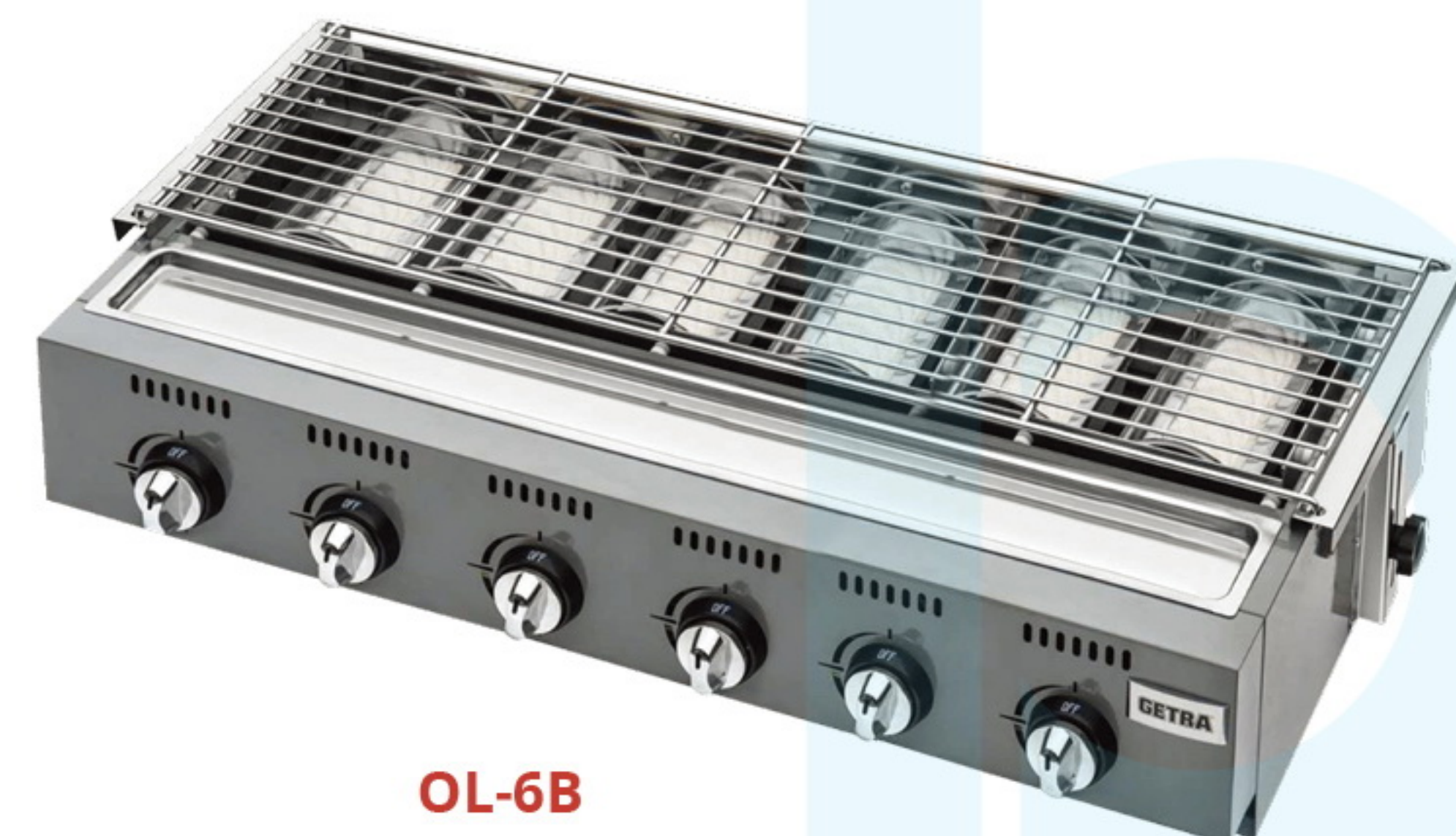
Aksesoris Griddle Top



OL-PLANCA khusus OL-4B



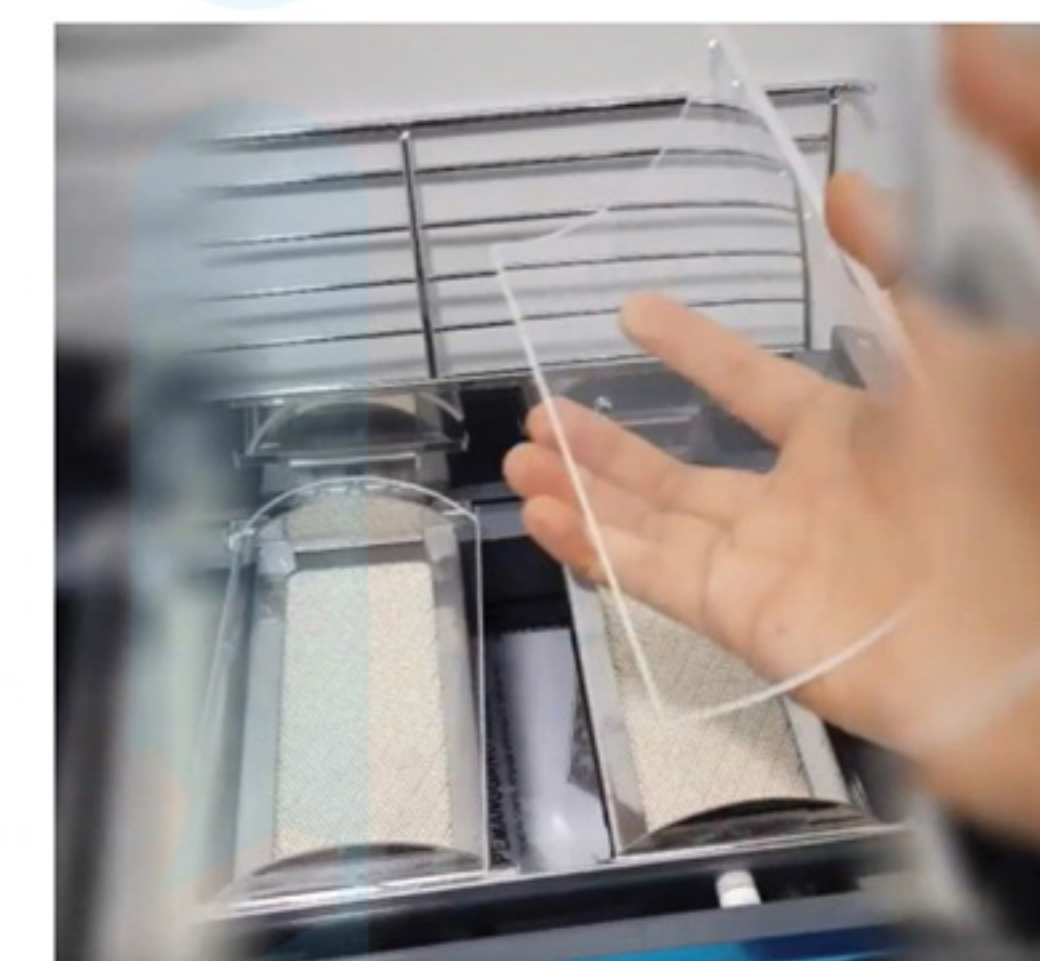
Roaster 6 Burner



OL-6B

Features

- Best quality component
- Grill height regulator (maximum 7 cm)
- 6 infrared furnaces
- Quart glass cover (anti-heat cover, hygiene and easy to wash)



| TYPE | DIMENSION (cm) | | | GAS POWER | Gas Cons. (Kg/hour) | WEIGHT (kg) |
|-----------|----------------|----|----|-------------|---------------------|-------------|
| | L | W | H | | | |
| OL-4B | 61 | 40 | 19 | 4 x 5 KW | 0,8 | 7,35 / 8,8 |
| OL-6B | 84 | 40 | 19 | 6 x 5 KW | 1,24 | 11 / 12 |
| OL-PLANCA | 52 | 33 | 4 | Griddle Top | - | 7,1 |

Price exclude gas pipe, regulator & installation

Griller

S/S 4 Burner BBQ

S/S 6 Burner BBQ

GETRA

bali
coolers



www.balicoolers.com



LOW PRESSURE



BS214



BS216

OPTIONAL QUART GLASS COVER

Cover / tutup tahan panas Higienis & Mudah Dibersihkan

QG-17,2

Rp. 100.000,-



untuk BS214,BS216

QG-25

Rp. 120.000,-



untuk BS234V

QG-37

Rp. 240.000,-



untuk BS236V

Features

- Stainless steel plate
- The best quality components

- Grill height adjustment (maximum height of grill 7 cm)
- Quart Glass Cover (Cover anti-heat,

hygienic and easy to wash)

- Gas-saving Infrared Ceramic Furnaces
- Oil tray

Price exclude gas pipe, regulator & installation

| TYPE | DIMENSION (cm) | | | GAS POWER | Gas Cons. (Kg/hour) | WEIGHT (kg) Nett Gross |
|-------|----------------|----|----|-----------|---------------------|-----------------------------|
| | L | W | H | | | |
| BS214 | 61 | 40 | 19 | 4 x 5 KW | 0,8 | 7 / 8,8 |
| BS216 | 84 | 40 | 19 | 6 x 5 KW | 1,24 | 10,2 / 12 |

Gas Smokeless BBQ



ET-KF05



ET-KF03



LOW PRESSURE

Features

- Electric Suction Fan
- Stainless Steel Shell
- Side burner
- Gas burner w/ independent control knob
- Smokeless (Non Smoke)
- Side burner

Price exclude gas pipe, regulator & installation

| TYPE | DIMENSION (cm) | | | WATT (220V/1P) | GAS POWER | Gas Cons. (Kg/hour) | WEIGHT (kg) |
|---------|----------------|----|----|----------------|-----------|---------------------|-------------|
| | L | W | H | | | | |
| ET-KF05 | 66 | 39 | 22 | 16 | 2 x 5 KW | 0,73 | 10 |
| ET-KF03 | 118 | 37 | 22 | 32 | 4 x 5 KW | 1,45 | 16 |

Flat Gas Griddle



PGA-1CR



LOW PRESSURE



Features

- Non-stick grill plate
- With cover, with shelf, full flat griddle
- Knob burner (piezo ignition)
- Black spray painting
- Foldable stand

| TYPE | DIMENSION (cm) | | | GRILL SIZE (cm) | GAS POWER (kW) | Gas Cons. (Kg/hour) | WEIGHT (NW/GW) (kg) |
|---------|----------------|----|----|-----------------|----------------|---------------------|---------------------|
| | L | W | H | | | | |
| PGA-1CR | 100 | 52 | 98 | 44 x 40 | 55 | 0,39 | 23,5 / 26,1 |

Price exclude gas pipe, regulator & installation

Roaster

Gas Duck / Chasio Roaster

Oven untuk memanggang ayam / bebek / chasio

 **LOW PRESSURE**



CY-G1

Features

- Drain system to drain the remaining oil waste
- Include charcoal stove
- Easy to clean
- Analog Temperature
- Gas Consumption: 0,29 kg/hour



Charcoal stove



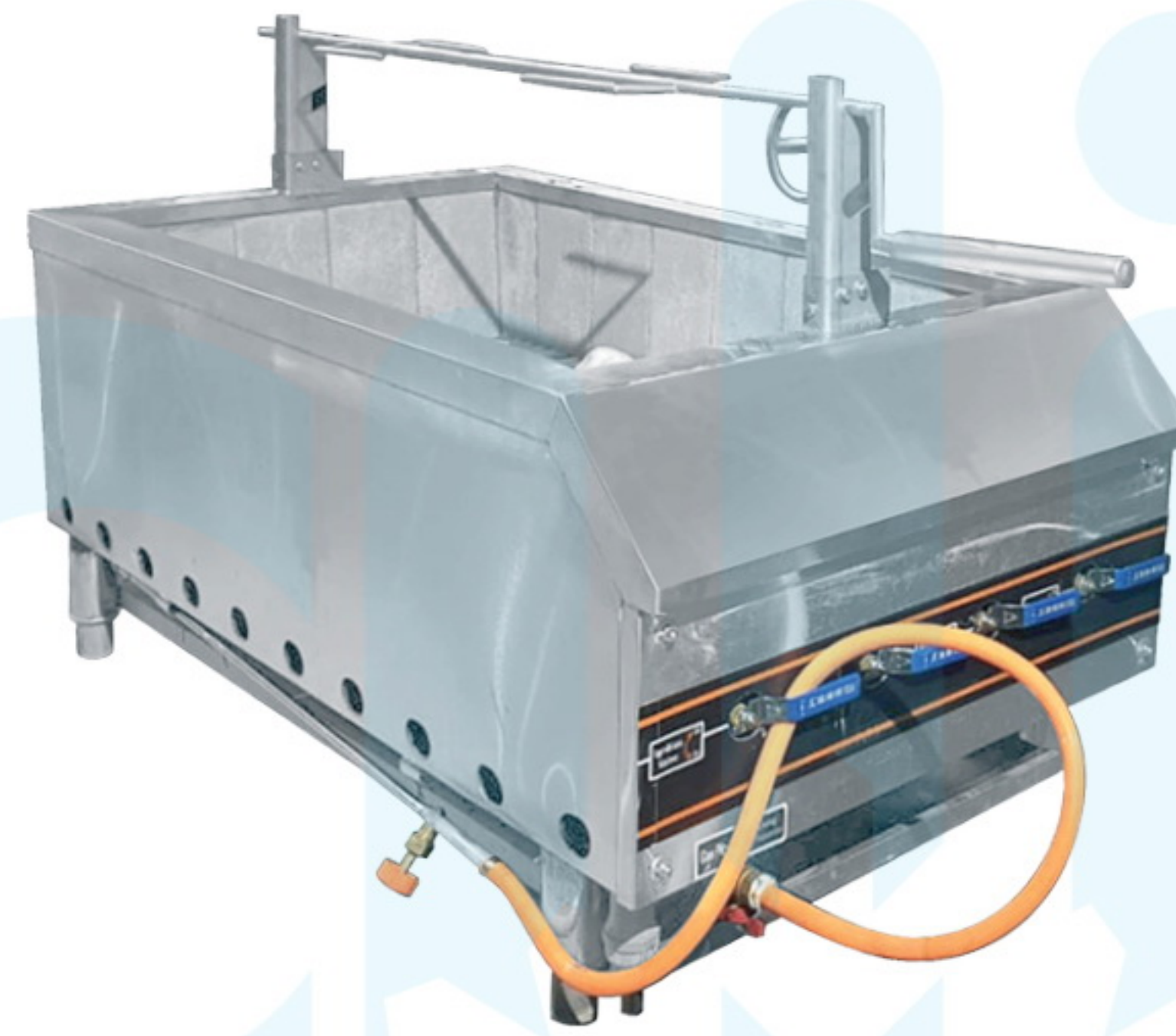
Included s/s hook (12 pcs)

| MODEL | DIMENSION (cm) | | GAS POWER | GRILL CAPAC. | PRICE |
|-------|----------------|-----|-----------|--------------|-------|
| | Ø | H | | | |
| CY-G1 | 80 | 145 | 4 kW | 10~12 ekor | |

Price does not include pipe, regulator & installation

Gas Meat Roaster

 **LOW PRESSURE**



PR-6211

- Gas Consumption: 2,03 kg/hour

| MODEL | DIMENSION (cm) | | | GAS POWER | GW (Kg) |
|---------|----------------|-----|----|-----------|---------|
| | L | W | H | | |
| PR-6211 | 62 | 110 | 50 | 28 kW | 162 |

Price does not include pipe, regulator & installation

Gas Smoke House

Mesin untuk membuat Ikan asap, daging asap, sosis asap

Gas smoker ini biasa dipakai di luar ruang dengan bahan bakar LPG

  **LOW PRESSURE**



GSH-B01



Tidak termasuk tabung gas

| TYPE | DIMENSION (cm) | | | VOLUME (L) | TRAY (Pcs) | GAS POWER | Gas Cons. (Kg/hour) | WEIGHT (kg) NW / GW |
|---------|----------------|------|-----|------------|------------|-----------|---------------------|---------------------|
| | L | W | H | | | | | |
| GSH-B01 | 50 | 46,5 | 105 | 90 | 4 | 4 kW | 0,29 | 18 / 21 |

Price exclude gas pipe, regulator & installation

Gas Chicken Rottiseries

GETRA[®]

bali
coolers
www.balicoolers.com



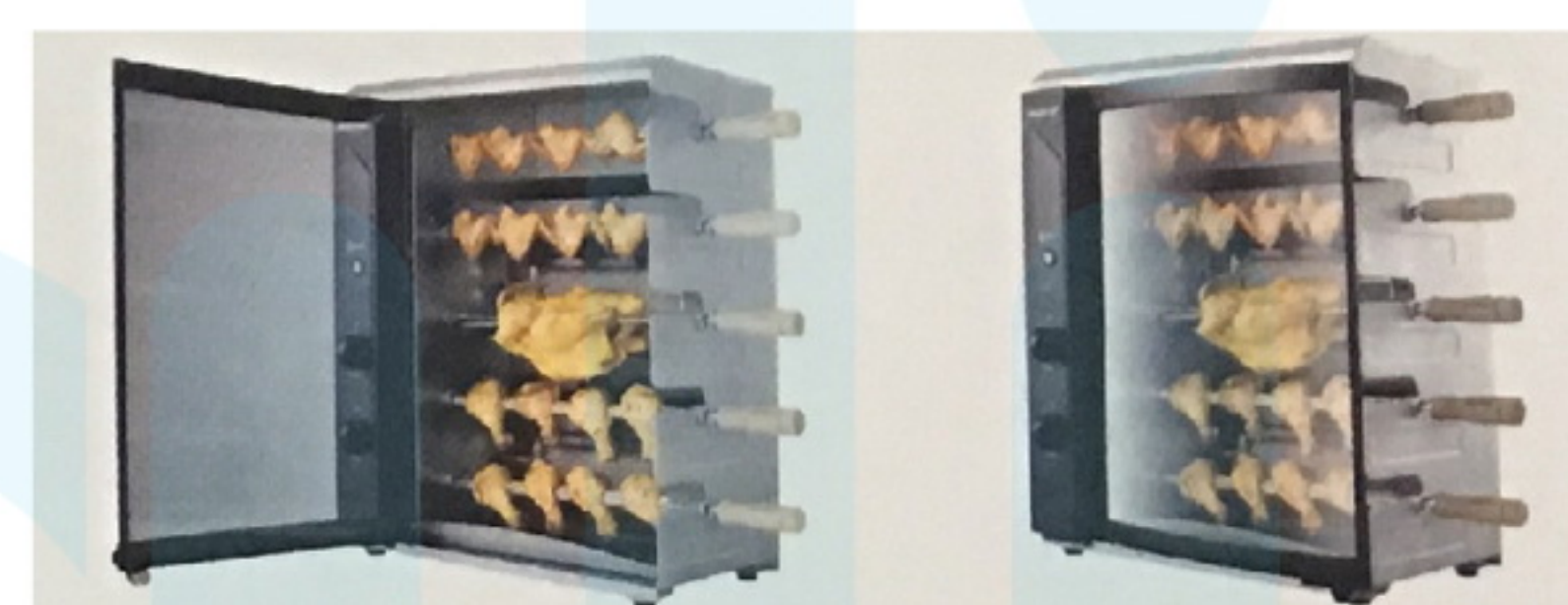
Oven untuk memanggang ayam / bebek



BG-05

Features

- Visible glass door
- 5 pcs skewers w/ delicate wooden handle
- Rotating function
- Timer & Digital thermometer



| TYPE | DIMENSION (cm) | | | POWER | | Gas Cons. (Kg/hour) | WEIGHT (kg) Nett Gross |
|-------|----------------|------|------|-------|-------------|---------------------|-----------------------------|
| | L | W | H | Gas | Electricity | | |
| BG-05 | 54 | 31,5 | 62,5 | 4 kW | 12 W | 0,29 | 16 / 25 |

Features

- Stand alone burner for gas efficiency
- 360 roast rotation
- Burner with glass cover
- Internal fan
- Switch (fan, skewer)
- Castor/wheel
- Stainless steel body
- Safe & easy operation

- with the cabinet



HGJ-40L

HGJ-60L

HGT-60L



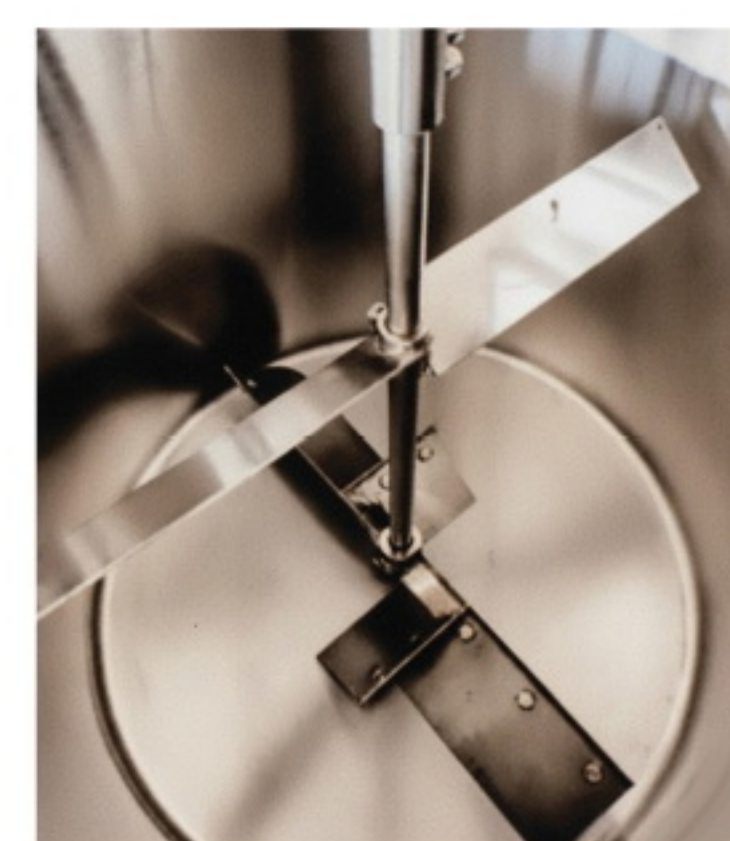
| TYPE | DIMENSION (cm) | | | POWER | | Gas Cons. (Kg/hour) | GRILL CAPACITY | WEIGHT (kg) Nett Gross |
|---------|----------------|----|-----|----------|---------------|---------------------|----------------|-----------------------------|
| | L | W | H | Gas | Electricity | | | |
| HGJ-40L | 117 | 52 | 113 | 3 x 8 kW | 61W (220V/1P) | 1,36 | 16~20 ekor | 98 / 111 |
| HGJ-60L | 117 | 52 | 149 | 4 x 8 kW | 61W (220V/1P) | 1,82 | 24~30 ekor | 106 / 123 |
| HGT-60L | 117 | 58 | 199 | 4 x 8 kW | 61W (220V/1P) | 1,82 | 24~30 ekor | 157 / 177 |

Price exclude gas pipe, regulator & installation



Stir-Frying Machine

Stir-Frying Machine dirancang untuk proses mengaduk, mencampur, dan memasak bahan cair hingga kental secara merata dan konsisten. Dengan sistem pengaduk kecepatan bisa diatur, mesin ini mampu menjaga tekstur bahan serta mencegah pengendapan dan gosong selama proses produksi.



Features

- Pure Copper Motor
- Adjustable speed
- Two-Layer Stainless Steel Cooking Pot
- Removable agitator spindle motor

| MODEL | DIMENSION(cm) | | | Cooking Pot (cm) | | | | VOLUME | | Power Input (220V/1P) | Speed (rpm) | GW (kg) |
|--------|---------------|----|----|------------------|-------|------|--------|--------|----------|--------------------------|----------------|------------|
| | L | W | H | outer | inner | base | height | L | OIL (Kg) | | | |
| LC-D40 | 44 | 44 | 54 | Ø42 | Ø40 | Ø39 | 40 | 40 | 25 | 180 W | | 20 |
| LC-D50 | 54 | 54 | 64 | Ø52 | Ø50 | Ø49 | 50 | 80 | 50 | 180 W | | 25 |
| LC-D60 | 64 | 64 | 74 | Ø62 | Ø60 | Ø59 | 60 | 140 | 100 | 300 W | 34 | 30 |
| LC-D70 | 74 | 74 | 84 | Ø72 | Ø70 | Ø69 | 70 | 240 | 150 | 400 W | | 35 |
| LC-D80 | 84 | 84 | 94 | Ø82 | Ø80 | Ø79 | 80 | 360 | 250 | 400 W | | 40 |

Tilting Cooking Mixer

Kompas Gas High Pressure dengan tungku Stainless Steel 304 dan motor pengaduk



Aplikasi : Untuk membuat sop kental, selai buah-buahan (Nanas, durian, strawberry, saus, karamel, dll) Tungku "Paruh Burung" juga dapat dimiringkan untuk memudahkan menuangkan masakan / adonan



Stirrer : Dengan Teflon Blade Tahan Panas hingga 300°C

Khusus seri CMS-200SL tidak bisa untuk membuat dodol

Masak dengan Gas, Listrik untuk mixer

| MODEL | DIMENSION (cm) | | | BOWL CAPACITY | POWER | | Gas Consum. (Kg/hour) | WEIGHT (kg) |
|-----------|----------------|-----|-----|---------------|-------|---------------|-----------------------|-------------|
| | L | W | H | | Gas | Electricity | | |
| CMS-50SL | 82 | 95 | 155 | 50 L | 20 kW | 3/4 HP (220V) | 1,45 | 150 |
| CMS-80SL | 98 | 98 | 163 | 80 L | 20 kW | 1 HP (220V) | 1,45 | 170 |
| CMS-150SL | 110 | 110 | 168 | 150 L | 20 kW | 1,5 HP (220V) | 1,45 | 200 |
| CMS-200SL | 120 | 120 | 168 | 200 L | 20 kW | 2 HP (220V) | 1,45 | 230 |

Price exclude gas pipe, regulator & installation

Heavy Duty Gas Rice Cooker

GETRA®

bali
coolers



recommended water filter

NEED WATER CONNECTION

www.balicoolers.com

LOW PRESSURE



Memasak beras dengan cara disteam (menguapkan air panas / mengukus), sehingga nasi lebih empuk dan pulen. Unit ini mampu memasak beras dalam jumlah besar dengan cepat dan praktis. Dengan Perforated Tray (Nampun berlubang) bisa untuk mengukus : Bakpau, Dimsum, Jagung, Tahu, dll

RSC-8

RSC-12

RSC-24



TR6448

S/s Standard Tray
Nampun Tanpa Lubang
(Harga sudah termasuk)



TR6420P

S/s Perforated Tray
Nampun Berlubang
(Dijual terpisah)

Price exclude gas pipe, regulator & installation

Water supply must be maintained when cooking. Lack of water can cause tank leakage

| TYPE | DIMENSION (cm) | | | CAPACITY | | GAS POWER | Gas Cons. (Kg/hour) | COOKING TIME (minutes) | WEIGHT (kg) Nett Gross | ORIGIN | |
|---------|----------------|----|-----|-------------------------------------|---------------------|-----------|---------------------|------------------------|-----------------------------|--------|--|
| | L | W | H | Cooking | Portion (@150 gram) | | | | | | |
| RSC-8 | 69 | 70 | 130 | 32 kg | 213 | 15 kW | 1,09 | 40 ~ 60 | 104 / 119 | China | |
| RSC-12 | 69 | 70 | 164 | 48 kg | 320 | 15 kW | 1,09 | 40 ~ 60 | 128 / 130 | | |
| RSC-24 | 140 | 70 | 164 | 96 kg | 640 | 2 x 15 kW | 2,18 | 40 ~ 60 | 241 / 269 | | |
| TR6448 | 60 | 40 | 5 | Nampun Stainless Steel Tanpa Lubang | | | | | | | |
| TR6420P | 60 | 40 | 5 | Nampun Stainless Steel Berlubang | | | | | | | |

Electric Rice Cooker / Steamer



ZCF1-N8

ZCF1-N12

recommended water filter

NEED WATER CONNECTION

Features

- Stainless steel body
- Timer & Power Switch
- Indicator Hot & Power Light
- Temp. range : 50 ~ 100 °C
- Rice tray : 59,5 x 39,5 x 4,8 cm
- Fix power 9kW/12kW

| TYPE | DIMENSION (cm) | | | TRAY QTY. (pcs) | CAPACITY | | POWER 380V/3P/50Hz (Watt) | COOK TIME (minute) | NW/GW (kg) |
|----------|----------------|----|-----|-----------------|----------|--------------------|---------------------------|--------------------|------------|
| | L | W | H | | Cooking | Portion (@150gram) | | | |
| ZCF1-N8 | 64 | 67 | 132 | 8 | 32 kg | 213 | 9000 | 40~60 | 68 / 88 |
| ZCF1-N12 | 64 | 67 | 165 | 12 | 48 kg | 320 | 12000 | 40~60 | 78 / 98 |

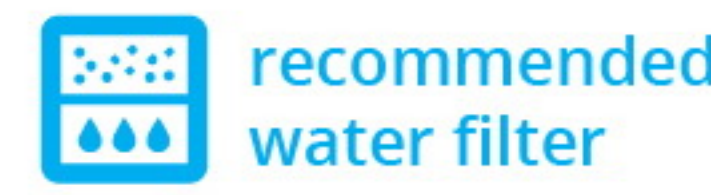
Heavy Duty Gas Rice Cooker

GETRA

bali
coolers
www.balicoolers.com



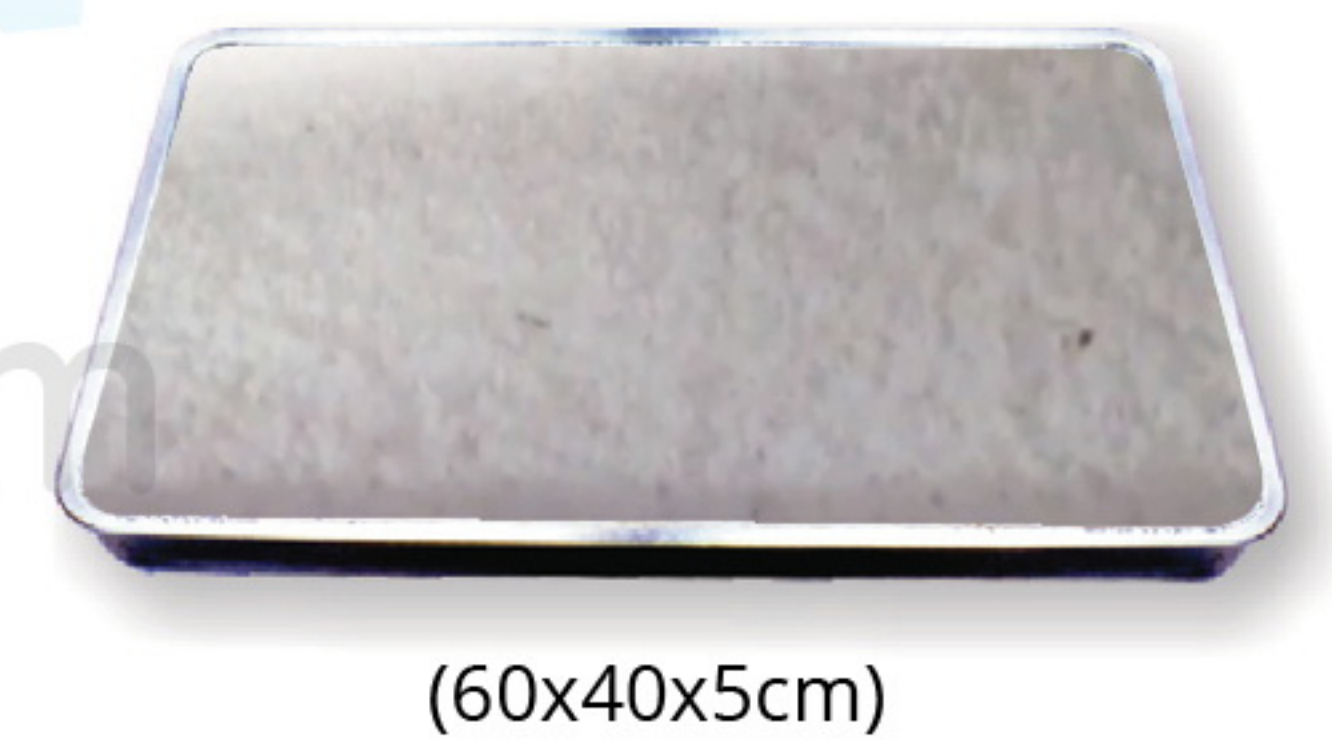
Memasak beras dengan cara disteam (menguapkan air panas / mengukus), sehingga nasi lebih empuk dan pulen. Unit ini mampu memasak beras dalam jumlah besar dengan cepat dan praktis.



Features

- Safe and reliable high-strength lock.
- Stainless Steel Body
- Thermometer
- Easy to clean and operate
- Built-in lighter
- Analogue Thermometer
- Castor, 2 with brake

S/s Standard Tray
Nampan Tanpa Lubang
(Harga sudah termasuk)



Water supply must be maintained when cooking. Lack of water can cause tank leakage



Features

- Body stainless steel
- 4 reinforced support frames inside the single box body (prevent the box from deforming)
- Castor/wheel
- Fireout protection, water level display
- Replaceable water tank
- Thick insulation layer: 3cm
- Thermometer analog

| TYPE | DIMENSION (cm) | | | CAPACITY | | GAS POWER | Gas Cons. (Kg/hour) | COOKING TIME (minutes) | WEIGHT (kg) Nett Gross |
|-----------|----------------|----|-------|--------------|---------------------|-----------|---------------------|------------------------|-----------------------------|
| | L | W | H | Cooking (kg) | Portion (@150 gram) | | | | |
| RSC-8 MC | 71 | 66 | 137 | 32 | 213 | 16 kW | 0,7 ~ 1 | 40 ~ 60 | 70 / 77 |
| RSC-12 MC | 71 | 66 | 172 | 48 | 320 | 16 kW | 0,7 ~ 1 | 40 ~ 60 | 85 / 92 |
| RSC-24 MC | 140 | 66 | 172 | 96 | 640 | 2x16 kW | 1,4 ~ 2 | 40 ~ 60 | 160 / 167 |
| RSC-8ED | 69,5 | 66 | 141,5 | 32 | 213 | 20 kW | 1 | 40 ~ 60 | 51 / 61 |
| RSC-12ED | 69,5 | 66 | 175,5 | 48 | 320 | 20 kW | 1 | 40 ~ 60 | 64 / 74 |
| RSC-24ED | 140 | 66 | 175,5 | 96 | 640 | 2 x 20 kW | 2 | 40 ~ 60 | 120 / 130 |

Price exclude gas pipe, regulator & installation

Water supply must be maintained when cooking. Lack of water can cause tank leakage

Commercial Rice Cooker

GETRA



MB80R-B

Features

- Time to cook rice + 23 minutes
- Piezo Ignition
- Low pressure



GF20Y-10L-B
GF20Y-23L-B

Features

- Die-cast aluminum inner pot
- Auto warm-keeping system
- Thermocouple safety device
- High quality iron build gas burner & stainless steel lid
- One-press auto ignition
- Included: measuring cup, scoop & rice net
- Inner pot size (bowl): Ø44x18cm | Ø53x22,5cm

Electric Rice Cooker

Features

- Non Stick Pan
- Digital Control
- Stainless Steel
- LED Display
- Heating Elements: Bottom, Up & Side



SH-8600E

Rice Warmer



Features

- Body S/s
- Digital control
- Adjustable Temperature 40~80°C
- Function warming: Rice, Soup, Porridge, Sushi, Yogurt

Menghangatkan nasi, dengan tidak merubah warna atau rasa nasi selama 12 jam, dengan suhu rata-rata 72°C.

Features

- Body stainless steel



SHW-889



SHW-888

| Fungsi | Preset Temperature |
|---------------|--------------------|
| Menghangatkan | |
| Rice / Nasi | 68°C |
| Bubur / Soup | 72°C |
| Sushi | 45°C |
| Yogurt | 43°C |

| TYPE | DIMENSION (cm) | | | CAPACITY | | PORTION (@150gram) | POWER | | Gas Cons. (Kg/hour) | WEIGHT (kg) NW/GW |
|-------------|----------------|------|------|----------|------|--------------------|-------|-------------|---------------------|-------------------|
| | L | W | H | Cooking | Bowl | | Gas | Electricity | | |
| MB80R-B | 56 | 49 | 43 | 16 L | 32 L | 85 | 7 kW | - | 0,51 | 19,2 |
| SH-8600E | Ø 54 | | 36,5 | 11 L | 19 L | 75 | - | 2.200 W | - | 12,4 / 15 |
| GF20Y-10L-B | 53 | 48,5 | 45 | 13 L | 26 L | 67 | 8 kW | - | 0,56 | 14,7/16,7 |
| GF20Y-23L-B | 62,5 | 59 | 48,5 | 22 L | 45 L | 134 | 16 kW | - | 1,1 | 23/24,8 |
| SHW-889 | 42,7 | 36,5 | 45,7 | | 23 L | | | 105 W | | 8,2 |
| SHW-888 | 48 | 38 | 38 | | 20 L | | | 103 W | | 8,2 / 11,4 |

Rice Net

Dengan bahan PES (Polyester Fiber) yang tahan panas dan telah memperoleh uji mutu food grade dari SGS Taiwan. Pembungkus nasi dengan jaring-jaring ini sangat efisien dalam proses memasak nasi.

Features

- The rice is not sticky, the rice is easy to lift, the pan is not crusty, easy to wash, fluffier rice & not mushy



How To Use :

1. Wash rice with water in another container, then drain the rice
2. Put the rice net into the pan
3. Add rice that is clean with water, a ratio of 1: 1
4. Cover the rice with a net, then cover the rice cooker pan
5. Turn on the rice cooker (stove), wait until the rice cooks
6. Lift the net, the rice is ready to be transferred to the rice container



RN-106

| TYPE | SIZE (cm) | |
|--------|-----------|-----|
| | L | H |
| RN-106 | 106 | 106 |



Automatic Stir-Frying Machine

GETRA

bali
coolers
www.balicoolers.com



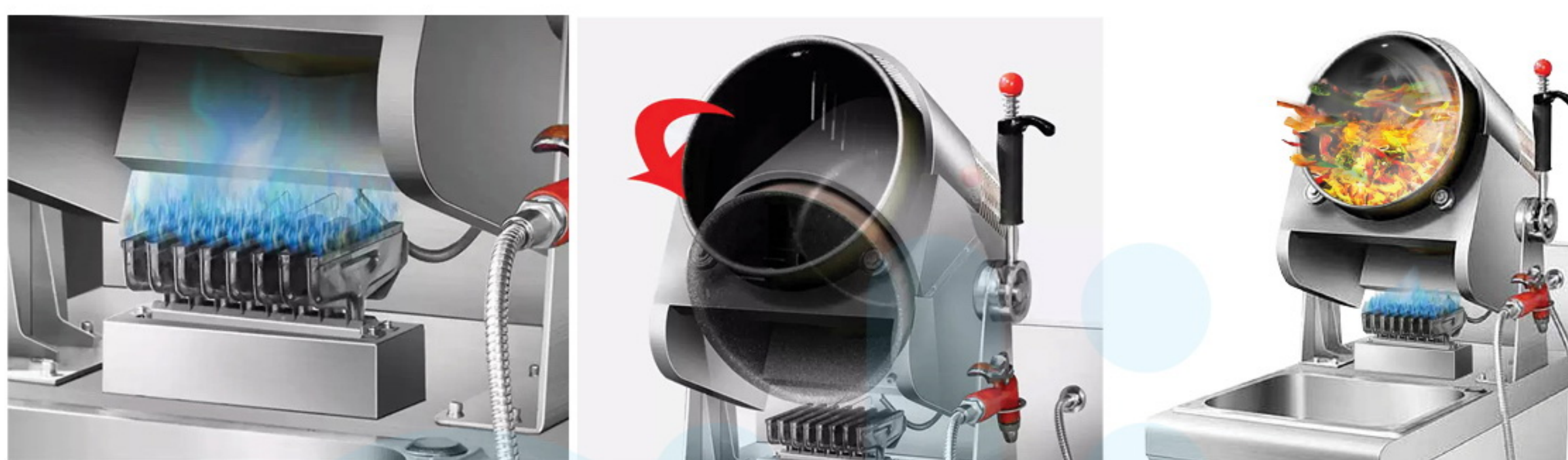
Mesin Frying & Cooking, mesin untuk memasak, menggoreng skala komersial. Memasak nasi goreng, mie goreng, chow mein, stir fried vegetables, chicken wing spicy sauce begitu praktis dan mudah dioperasikan. Putaran drum dapat diatur speednya agar masakan matang merata. Saat menuang masakan, drum mudah dituang dengan handle



RQ25B

NEED WATER CONNECTION

LOW PRESSURE

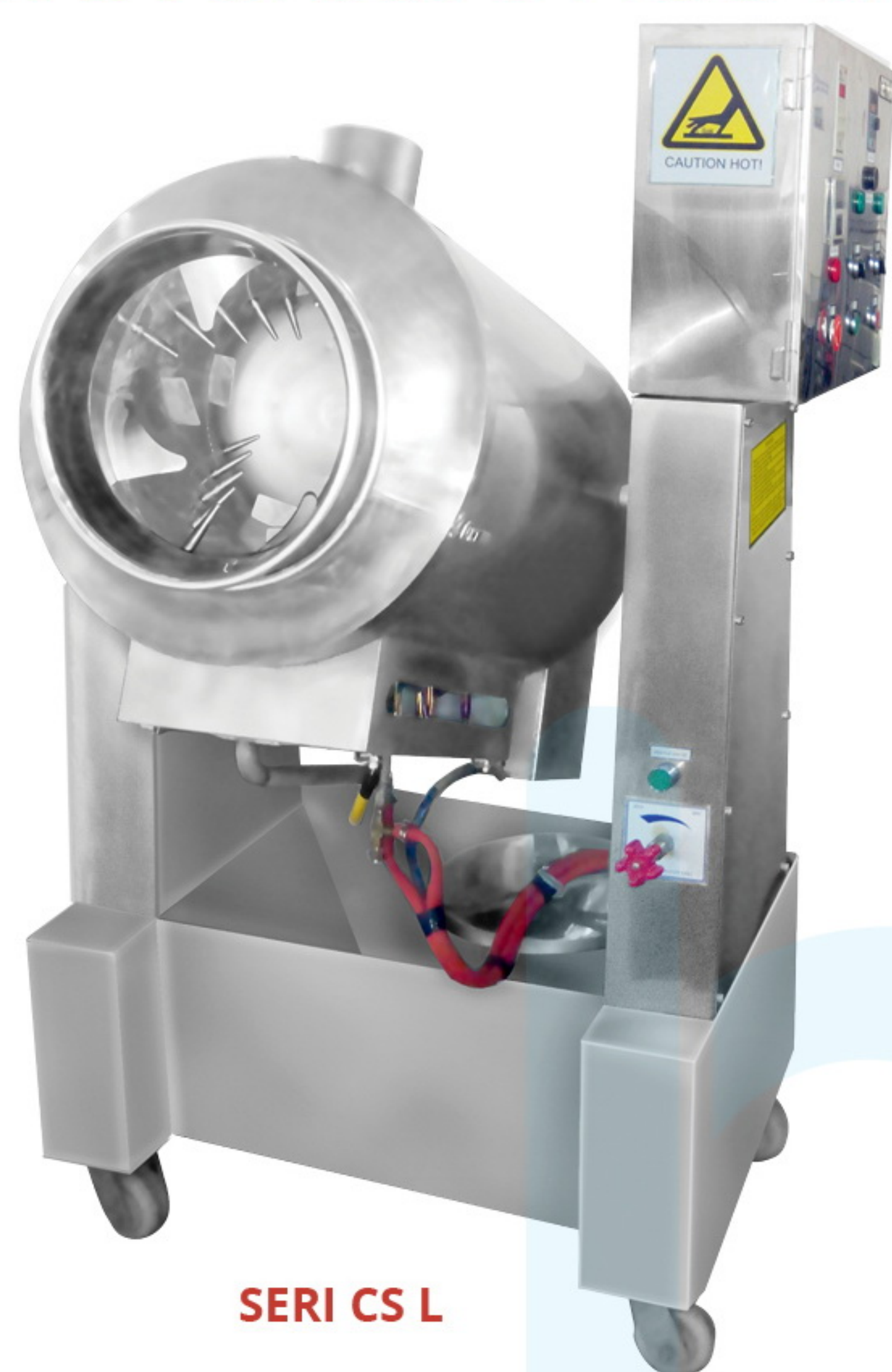


Features

- Sturdy construction with a rotating stainless steel drum
- Body stainless steel
- Digital temperature display
- Drum easy to tilting with knob handle
- Knob burner
- Easy to clean
- Adjustable rotation speed
- Electric motor, burner with LPG gas
- S/s sink + pre rinse

| TYPE | DIMENSION (cm) | | | TANK Ø (cm) | CAPACITY PROD. (Kg) | POWER | | NW/GW (kg) |
|-------|----------------|----|-----|-------------|---------------------|--------------------|-----------------|------------|
| | L | W | H | | | Gas Cons. | Motor | |
| RQ25B | 43 | 90 | 132 | 30x30 | 2,5 | 3~4 m ³ | 150 W (220V/1P) | 42 / 96 |

Universal Fried Machine



SERI CS L



Mesin goreng multi fungsi ini dirancang untuk menggoreng dengan memutar dalam skala besar (heavy duty), sangat ideal untuk perusahaan catering dalam menyiapkan makanan skala besar dalam waktu cepat, terutama untuk menggoreng nasi, menumis sayur, membuat soup dan untuk menggoreng mie. Juga berfungsi sebagai gongsengan untuk memanggang biji-bijian yang mengandung minyak, seperti : Kopi, kakao, kacang tanah, dll. Dilengkapi 2 (dua) motor , satu motor untuk memutar dan lainnya untuk mengatur sudut kemiringan tangki.

Features

- Sturdy construction with a rotating stainless steel drum
- Thermostat & Timer
- Adjustable rotation speed (1 ~ 10 rpm)
- Rotation can go forward and backward (380 Volt)
- The temperature reaches 260 °C
- Electric motor, burner with LPG gas

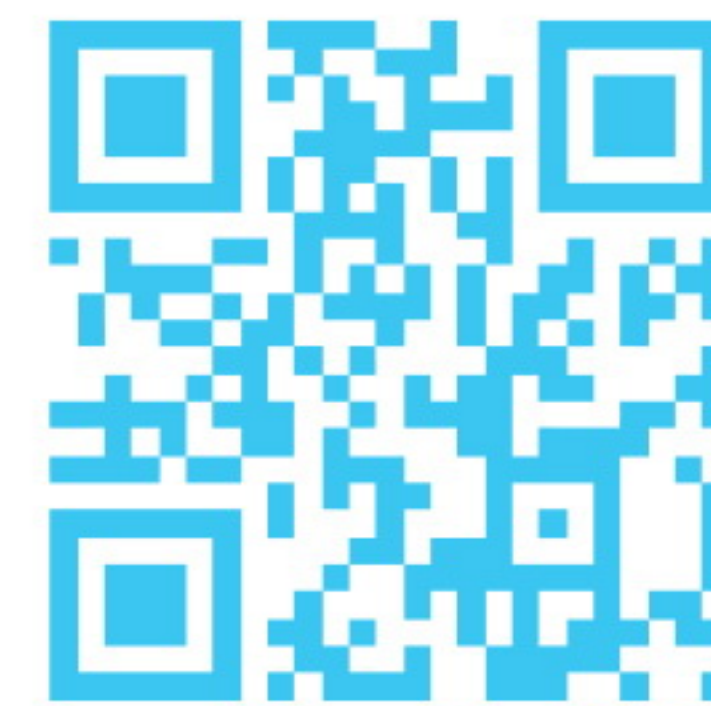
| MODEL | DIMENSION (cm) | | | Ø TANK (cm) | CAPACITY | | POWER | | Gas Cons. (Kg/hour) | NW/GW (kg) |
|---------|----------------|-----|-----|-------------|-----------|-----------------|-------|--------------------|--------------------------|------------|
| | L | W | H | | Tanki (L) | Production | Gas | Electricity/ Motor | | |
| CS-30L | 90 | 85 | 155 | 350 | 30 | 10 ~ 12 kg | 5kW | 370 W (380V) | 0,36 | 150 |
| CS-60L | 105 | 95 | 150 | 450 | 60 | 15~25 L/cycle | 6kW | 740 W (380V) | 3-4 M ³ /hour | 200 / 275 |
| CS-260L | 135 | 130 | 165 | 750 | 260 | 70~100 L/cycle | 14kW | 1100 W (380V) | 5-8 M ³ /hour | 450 / 533 |
| CS-500L | 166 | 146 | 170 | 900 | 500 | 170~220 L/cycle | 20kW | 1870 W (380V) | 10-15 M ³ /hr | 600 / 700 |

Price exclude gas pipe, regulator & installation

Electric Stir-Frying Machine

GETRA

bali
coolers
www.balicoolers.com



Mesin masak otomatis portabel 6 liter ini menggunakan teknologi induksi dan rotasi 360° untuk memasak beragam hidangan secara cepat dan merata tanpa aduk manual.



CM800

Features

- Touch screen digital controller
- 360° drum rotation (stir-fry)
- IH Induction Heating, electromagnetic
- 3 turn adjustment level knob
- Function: Stir-fry, boil, heat level, rotate/still

- Inner Pot Size: Ø23,4 x 17,2 cm



| TYPE | DIMENSION (cm) | | | VOLUME (L) | WATT (220V/1P/50Hz) | WEIGHT (kg) NW/GW |
|-------|----------------|----|----|------------|---------------------|-------------------|
| | L | W | H | | | |
| CM800 | 31 | 37 | 37 | 6 | 2000 | 7,4 / 8,5 |

Bakpau Steamer



WSSP730U

Display steamer stainless steel dengan exterior full kaca agar produk mudah terlihat.



Features

- Water fill indicator lights
- Temperature indicator light
- German Thermostat E.G.O
- Timer, Leakage protection
- Temperature 50 ~ 80 ° C

*Aplikasi : mengukus Bak Pau, Dim Sum, Sio Mai dll

| MODEL | DIMENSION (cm) | | | POWER (220V/1P/50Hz) | RACK | WEIGHT (kg) NW/GW |
|----------|----------------|----|----|----------------------|-------|-------------------|
| | L | W | H | | | |
| WSSP730U | 40 | 46 | 73 | 1100 W | 5 pcs | 26 / 47 |

Gas Chiong Fen Blower Steamer



CS-1211DX



| MODEL | DIMENSION (cm) | | | POWER | | Gas cons. (Kg/hour) | GW (Kg) |
|-----------|----------------|-----|----------|-------|-----------------------|---------------------|---------|
| | L | W | H | Gas | Electricity (220V/1P) | | |
| CS-1211DX | 120 | 115 | 78,5/133 | 48 kW | 550 | 3,49 | 235 |

3 Decks Gas Turbo Blower Steamer



3DGFS-9082



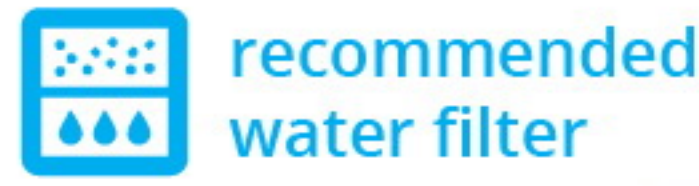
* Aplikasi : Seafood Steam, Chicken/Duck Steam

| MODEL | DIMENSION (cm) | | | POWER | | Gas Cons. (Kg/hour) | GW (kg) |
|------------|----------------|----|-----|-------|-----------------------|---------------------|---------|
| | L | W | H | Gas | Electricity (220V/1P) | | |
| 3DGFS-9082 | 90 | 82 | 185 | 40 kW | 550 | 2,90 | 252 |

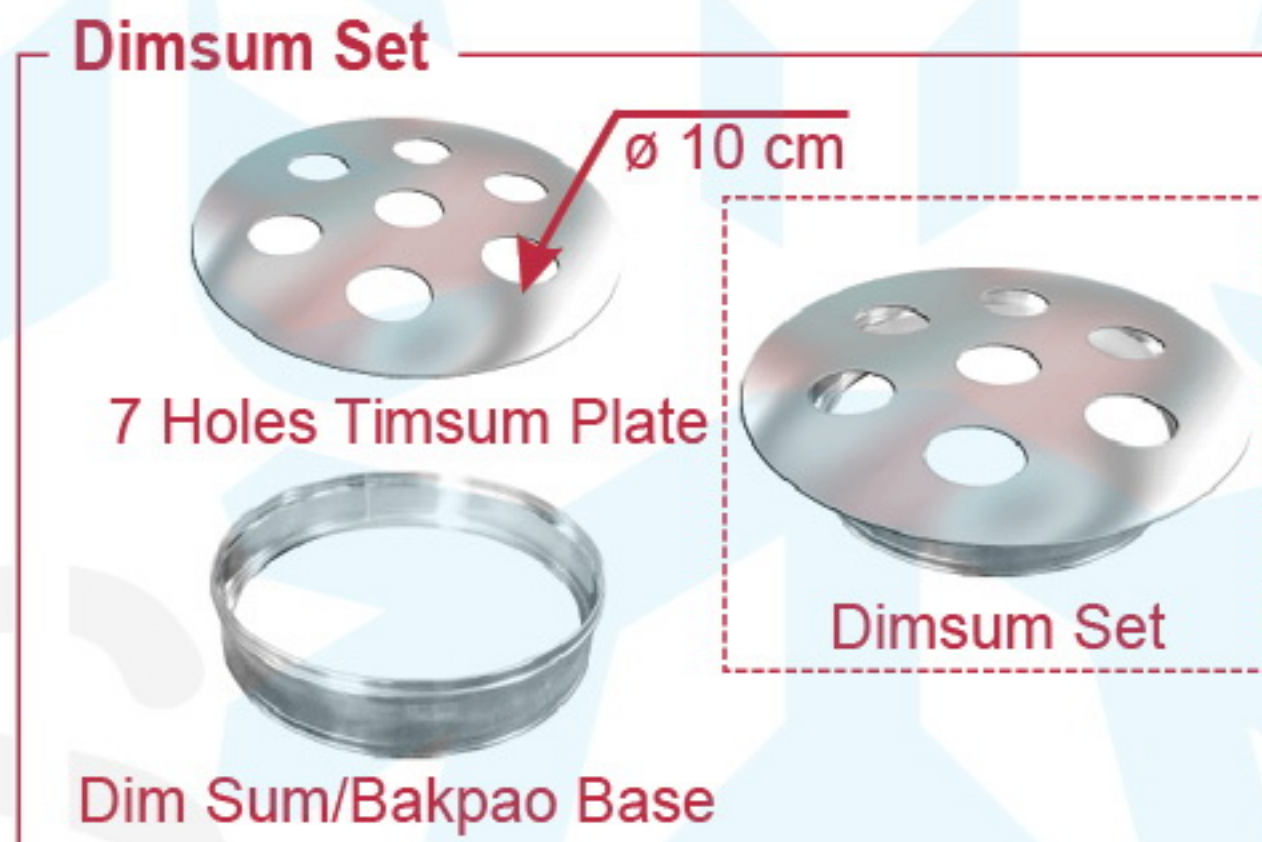
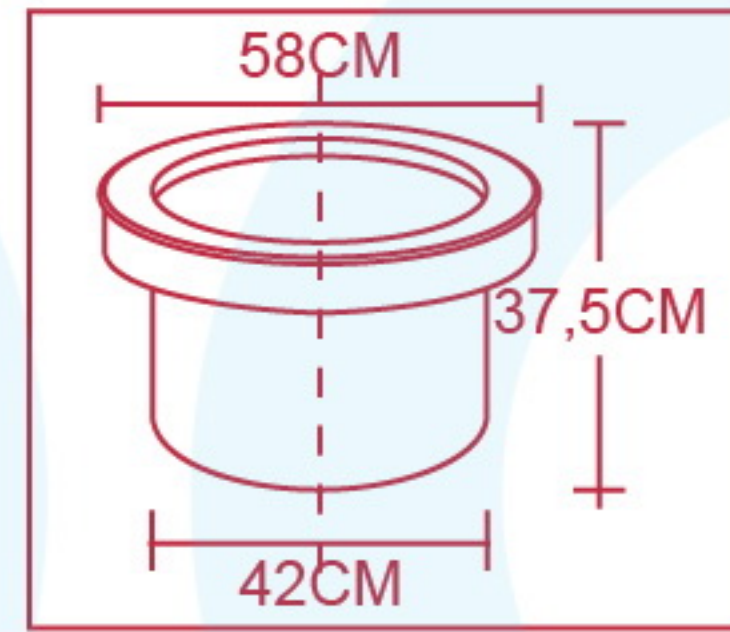
Price exclude gas pipe, regulator & installation

Steamer

Gas Dim Sum Blower Steamer



CS-9095DX



| TYPE | SIZE (cm) | |
|-----------------------|-----------|------|
| | Ø Dia. | H |
| Dimsum/Bakpao Base | Ø 50 | 11,5 |
| 7 Holes Dimsum Plate | Ø 57 | 0,15 |
| Bakpao Perforated Pot | Ø 52 | 12,7 |
| Bakpao Tray Cover | Ø 53 | 19,3 |

| MODEL | DIMENSION L x W x H (cm) | | | POWER | | Gas Cons. Kg/hour | WEIGHT(kg) Nett / Gross |
|-----------|-----------------------------|----|--------|-------|--------|-------------------------|----------------------------|
| | L | W | H | Gas | Elect. | | |
| CS-9095DX | 90 | 95 | 78/123 | 48 kW | 250 W | 3,49 | 128 / 271 |

Gas Steamer Deck



S6363

Include 2 Deck Steamer

Features

- Stainless steel plate, thick 0.5mm,
- Ignition knob
- Float water valve
- Include steamer deck, stainless steel plate, 0.6mm thick, 2 layers inside each door, each ±150mm height
- Low pressure gas
- Adjustable feet



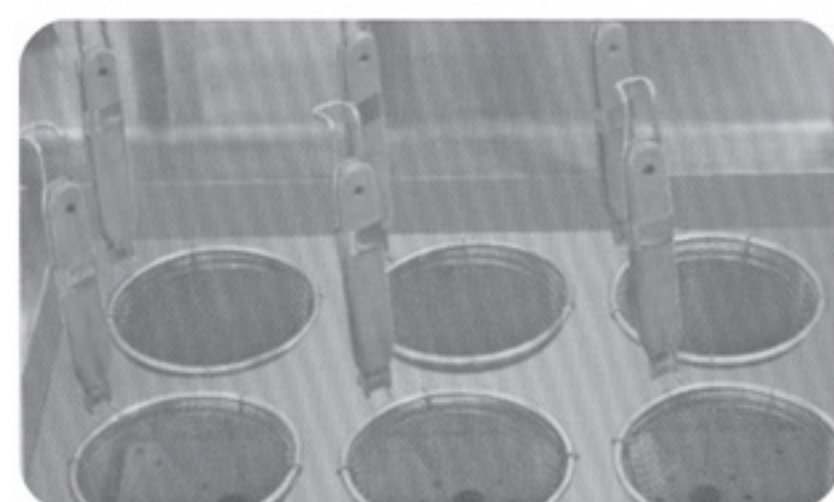
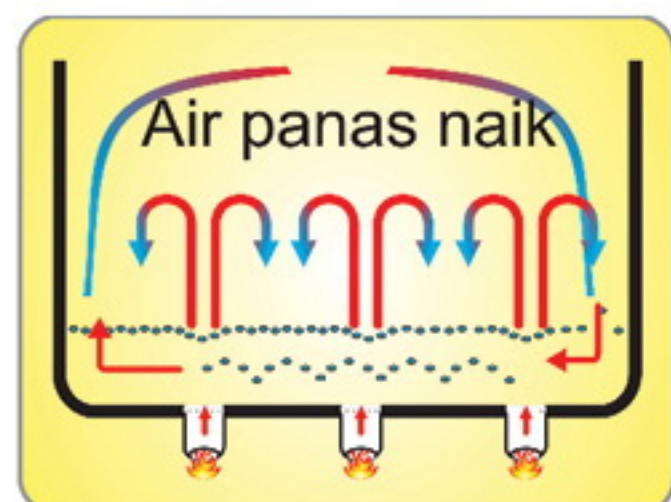
2 layers rack each door



| MODEL | DIMENSION L x W x H (cm) | | | Ø HOLE (cm) | GAS POWER (kW) | GAS CONSUM. (Kg/hour) | WEIGHT NW/GW (kg) |
|-------|-----------------------------|----|-----|----------------|-------------------|-----------------------------|----------------------|
| | L | W | H | | | | |
| S6363 | 65 | 65 | 153 | 38 | 17 | 1,27 | 35 / 62 |

Price exclude gas pipe, regulator & installation

Gas Noodle Cooker



LOW PRESSURE

+ Soup Tank



MPN-6C

Features

- Special design, producing noodles that are free of lumps without the need to shake (convection technology)
- Tap water
- Drainage
- Warm up quickly and spread naturally with a convection pattern



MPN-6C2S

Features

- Special design, producing noodles that are free of lumps without the need to shake (convection technology)
- 3 Tank: 6 hole noodle cooking tank, soup tank & tank for meat
- 3 Drainage
- 2 water faucets
- 5 Burner

| TYPE | DIMENSION (cm) | | | GAS POWER | Gas Cons. (Kg/hour) | TANK VOLUME (L) | | | WEIGHT (kg) |
|----------|----------------|----|-----|---------------|---------------------|-----------------|------|------|-------------|
| | L | W | H | | | Noodle | Soup | Meat | |
| MPN-6C | 60 | 70 | 117 | 8 kW | 0,58 | | 31 | | 43,5 |
| MPN-6C2S | 130 | 70 | 117 | 2,6 + 2,8 + 8 | 0,97 | 31 | 20 | 20 | 100 |

Price exclude gas pipe, regulator & installation

Kompur untuk merebus mie berbahan bakar gas bertekanan rendah

Features

- 6 holes joined in one tank
- 6 pcs noodle basket
- 2 burners
- Gas pressure: 2800pa
- Gas flow 0,372 M³ / hour
- Drain valve

Portable



OL-GPC-60



LOW PRESSURE

Free Standing



HGN-748

Features

- The tank is divided into 3 compartments (@ 2 holes)
- One of the compartments can be used to cook soup dishes
- 3 drainage
- 3 burners stand by themselves

| TYPE | DIMENSION (cm) | | | GAS POWER | Gas Cons. (Kg/hour) | TANK VOLUME (L) | WEIGHT (kg) |
|-----------|----------------|------|-----|-----------|---------------------|-----------------|-------------|
| | L | W | H | | | | |
| OL-GPC-60 | 56,5 | 75,5 | 42 | 2 x 6 kW | 1 | 29 L | 21 / 28,5 |
| HGN-748 | 60 | 70 | 100 | 3 x 5 kW | 1,09 | 3 x 5 | 40 / 48,5 |

Price exclude gas pipe, regulator & installation



Auto Lift-Up Noodle Cooker

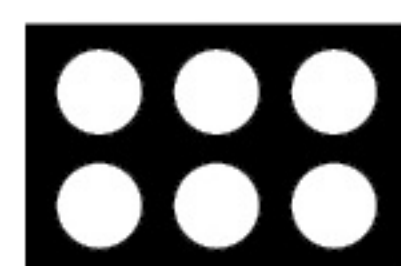
Mesin Pemasak Mie dengan Sistem Pengangkat Otomatis



WBL-540CA

Features

- Stainless steel body
- 6 Hole Basket
- Separate Power switch
- Digital timer to set the cooking time for each basket
- Each panel can be programmed 3 different cooking times
- Each basket hole works separately
- Tap water flow in front and back
- Large volume of heating tank so that the noodles cook evenly
- Water level sensor
- Drain tray for user safety from hot spills
- For cooking ramen, udon, chinese noodle, pasta, dumpling, and other noodles



6 Hole Basket



Layar Sentuh



Naik/Turun Otomatis



| TYPE | DIMENSION (cm) | | | POWER (Watt) | VOLTAGE | TANK VOLUME (L) | | | WEIGHT (kg) |
|-----------|----------------|----|-----|--------------|--------------|-----------------|------|------|-------------|
| | L | W | H | | | Noodle | Soup | Meat | |
| WBL-540CA | 130 | 70 | 117 | 12000 | 380V/3P/50Hz | 60 L | | | 100 |

Electric Noodle Cooker

Perebus mie portable untuk bisnis kuliner untuk hidangan mie, pasta dan masakan rebusan lainnya dengan cepat dan mudah. Dengan 2 basket yang dapat digunakan secara bersamaan, memasak mie dengan efisien. Unit dilengkapi dengan heater menyatu dengan kontrol panel yang bisa dilepas sehingga memudahkan untuk membersihkan tanki. Cocok untuk restoran, kantin, warmindo yang menghadirkan berbagai hidangan mie.



L-061Z

Features

- Stainless steel body
- Knob thermostat
- Power switch & indicator light
- 2 Baskets (14x14x33cm)



| TYPE | DIMENSION (cm) | | | TANK | | POWER (220V/1P) | TEMP. (°C) | WEIGHT (NW/GW) (kg) |
|--------|----------------|----|------|-----------|--------|-----------------|------------|---------------------|
| | L | W | H | SIZE (cm) | VOLUME | | | |
| L-061Z | 19,5 | 47 | 31,5 | 15x30x20 | 7 L | 2000 W | 30~100 | 4,6 / 5 |

Gas Tilting Kettle

GETRA

bali
coolers
www.balicoolers.com



Ketel besar berbahan bakar gas ini dirancang untuk merebus, menumis, menghangatkan makanan dalam jumlah besar tanpa masalah dengan peralatan Anda. Dibuat dari bahan stainless steel dengan mulut paruh burung agar memudahkan dalam menuang masakan, putar handle bulat untuk menuang masakan.

HIGH PRESSURE



RC-1E

RC-2E

RC-3E

Features

- Flexible hose
- Ignition stick

| TYPE | DIMENSION (cm) | | | WOK (cm) | VOLUME (L) | GAS POWER | Gas Cons. (Kg/hour) | WEIGHT (kg) |
|-------|----------------|------|-----|----------|------------|-----------|---------------------|-------------|
| | L | W | H | | | | | |
| RC-1E | 135 | 80,5 | 95 | Ø 71 | 100 | 20 kW | 1,45 | 160 |
| RC-2E | 147 | 90,5 | 99 | Ø 84 | 200 | 25 kW | 1,82 | 195 |
| RC-3E | 160 | 105 | 100 | Ø 93 | 300 | 25 kW | 1,82 | 230 |

www.balicoolers.com

Gas Tilting Pan

Gas Tilting Pot

Ketel besar berbahan bakar gas ini dirancang untuk merebus, menumis, menghangatkan makanan dalam jumlah besar tanpa masalah dengan peralatan Anda. Dibuat dari bahan stainless steel putar handle bulat untuk menuang masakan / kuah



LOW PRESSURE



OH900-RS



OH900Y-RO-150L

OH900Y-RO-200L

| TYPE | DIMENSION (cm) | | | CAPACITY (L) | GAS POWER | Gas Cons. (Kg/hour) | WEIGHT (kg) Nett Gross |
|----------------|----------------|----|-----------|--------------|-----------|---------------------|-----------------------------|
| | L | W | H | | | | |
| OH900-RS | 80 | 90 | (85 + 70) | 80 | 18 kW | 1,31 | 150 / 165 |
| OH900Y-RO-150L | 114 | 80 | 110 | 150 | 20 kW | 1,45 | 120 / 135 |
| OH900Y-RO-200L | 130 | 80 | 110 | 200 | 24 kW | 1,74 | 150 / 165 |

Price exclude gas pipe, regulator & installation

www.balicoolers.com

Electrostatic Air Cleaner/Precipitator

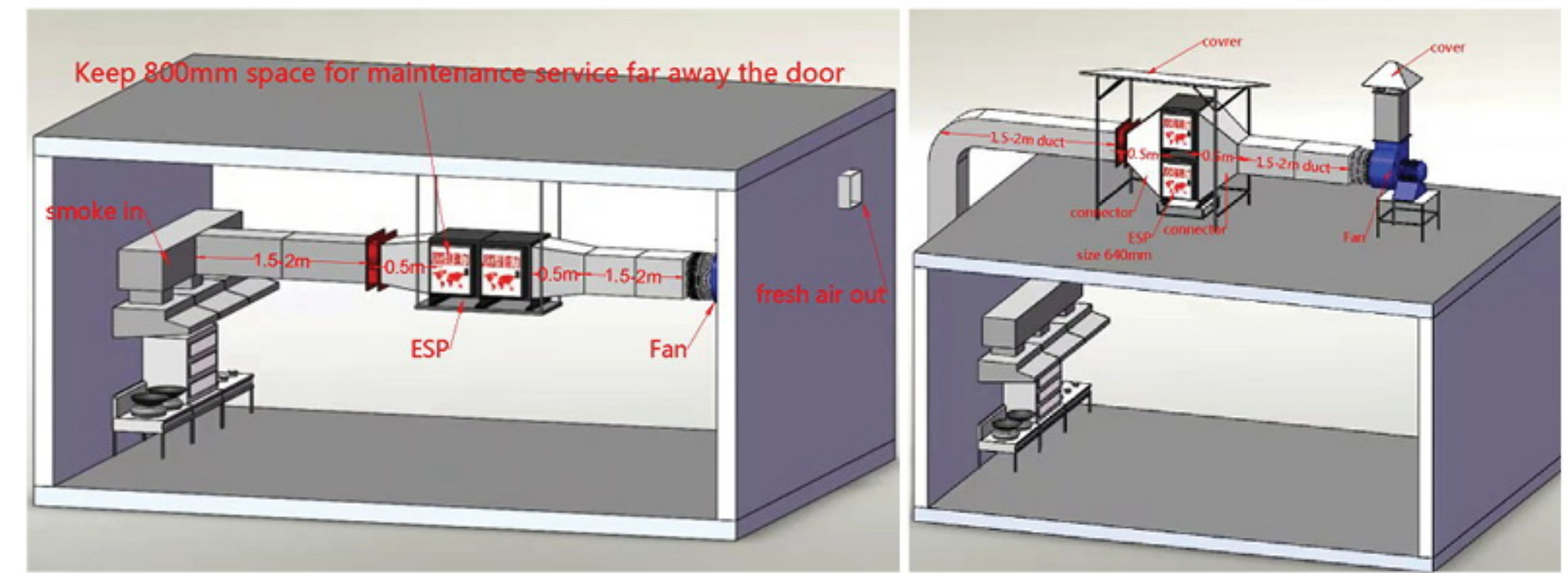
Single Pass ESP with Oil Sump



Mesin Pembersih Asap Dapur Komersial

Mesin pembersih asap dan lemak pada dapur komersial dengan sistem Presipitator elektrostatis yakni perangkat tanpa filter yang menghilangkan partikel halus dan asap, dari uap proses memasak yang mengalir menggunakan gaya muatan elektrostatis yang diinduksi yang secara minimal menghalangi aliran udara melalui unit menjaga kualitas udara tetap segar tanpa asap hingga mencapai 95% (diuji oleh ASHRAE 52.2-2017 - Meets MERV 15).

Cocok digunakan pada dapur Restoran, Hotel, Cafeteria, Restoran Fast Food, dll.



Contoh layout instalasi Unit pada Hood Ducting



DGRH-K-3500(U)



DGRH-K-7000(U)

Features

- Modular in design, easy installation & cleaning
- Efficiency & low cost
- Inteligent PWM power control system, auto control function
- Door open power off protect Cover current & voltage protection
- Reduce grease accumulation in the ducting

Note :

- Harga tidak termasuk motor fan
- Harga tidak termasuk biaya instalasi (pemasangan), untuk instalasi bisa menghubungi kontraktor kitchen Anda.

| TYPE | DIMENSION (cm) | | | FLANGE W x H (cm) | AIR FLOW (M ³ /H) | POWER (W) | WEIGHT (kg) |
|----------------|----------------|------|----|----------------------|---------------------------------|--------------|----------------|
| | L | W | H | | | | |
| DGRH-K-3500(U) | 64 | 76,5 | 69 | 48,5 x 53 | 3000 ~ 3500 | 120 (200) | 60 |
| DGRH-K-7000(U) | 64 | 130 | 69 | 102 x 53 | 6000 ~ 7000 | 220 (520) | 94 |

Wall Mounted Hood

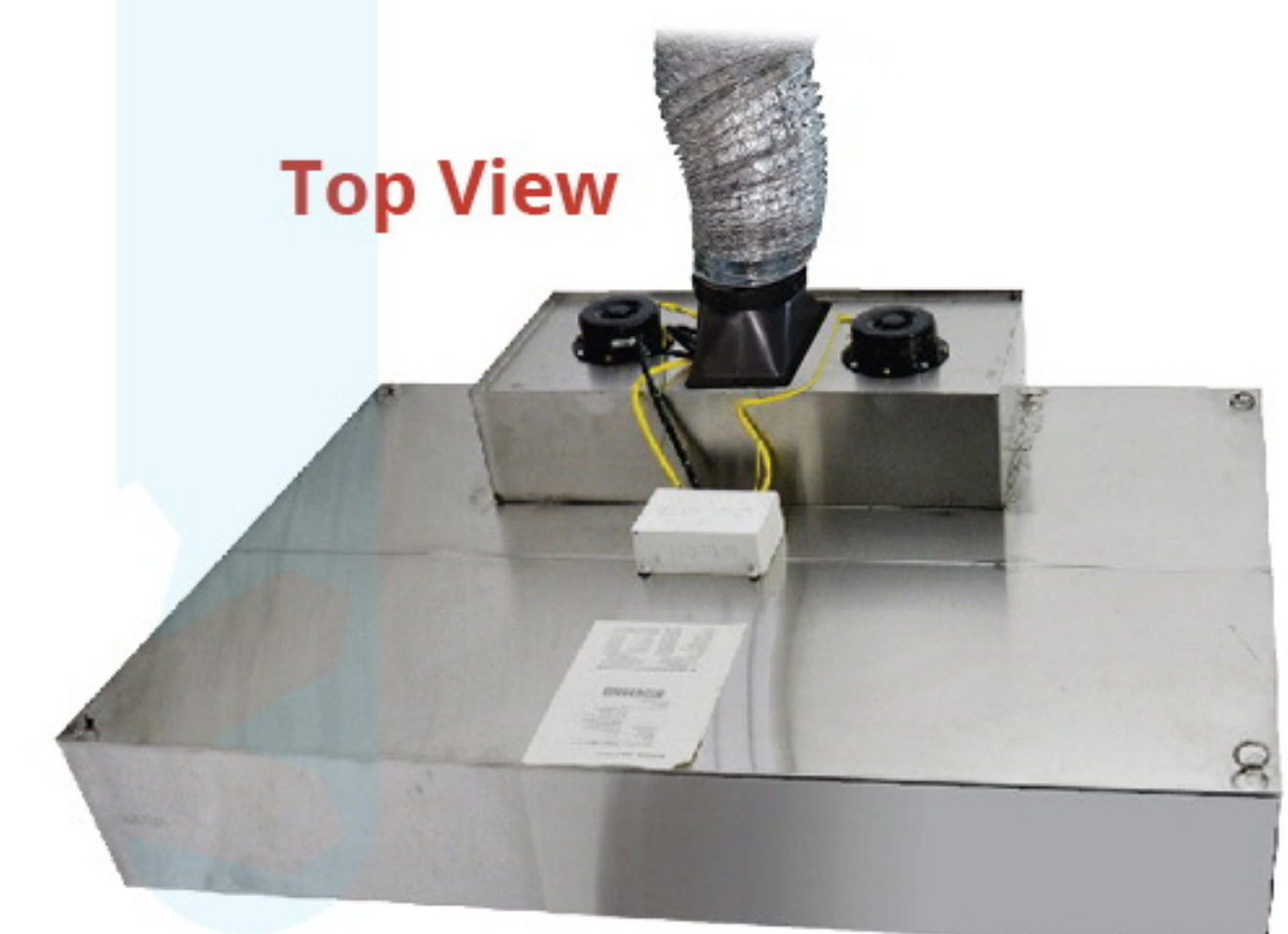
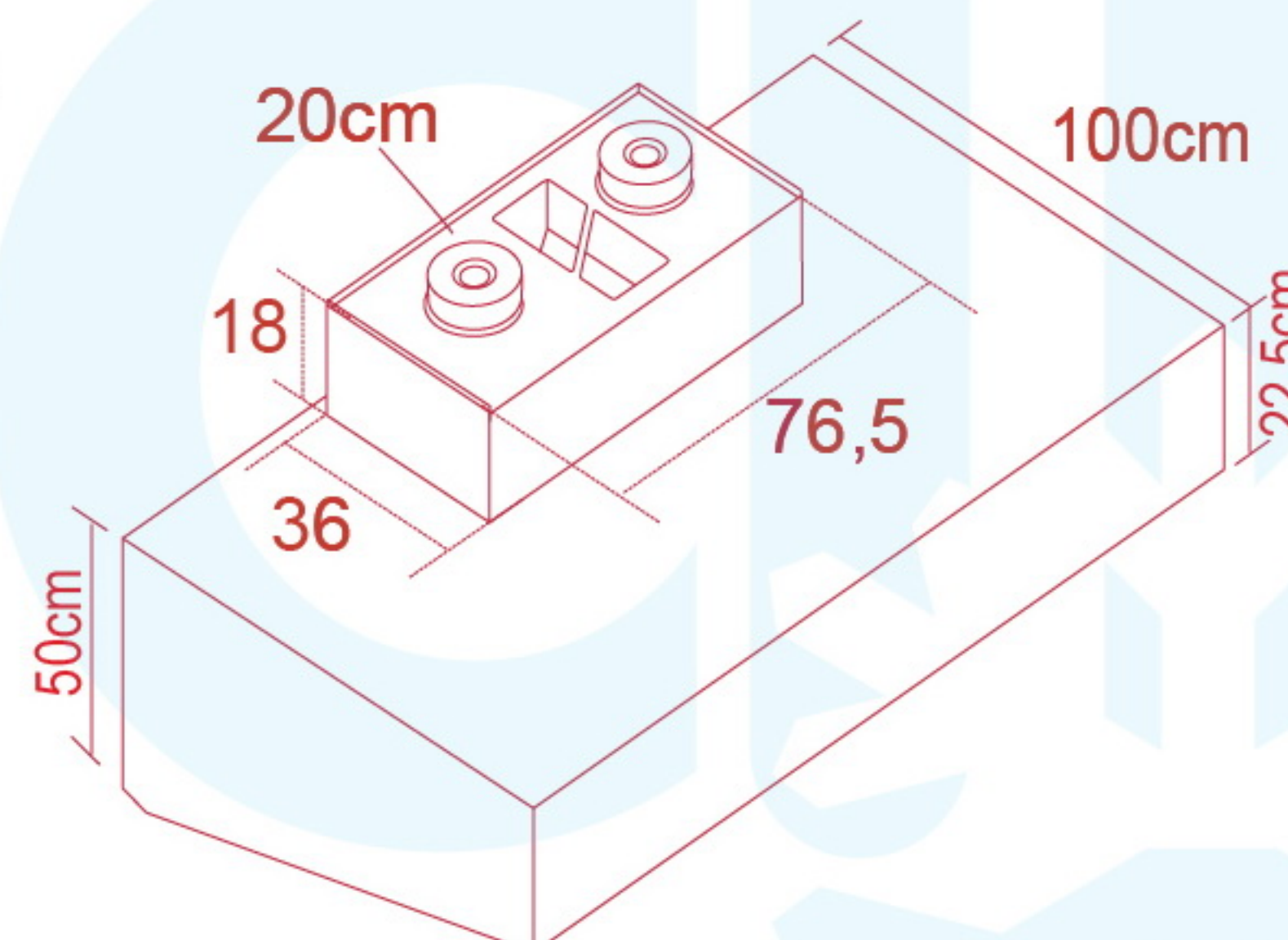


Seri CH-M



Include Alumunium Foil Pipe

- Ø Tutup Cerobong : 19 cm
- Ø Panjang Flexible : 20 cm
- Panjang Min : 14 cm
- Panjang Max : 185 cm
- 2000 cbm/hour



Top View

| TYPE | DIMENSION (cm) | | | MOTOR (220V/1P) | GROSS WEIGHT (kg) |
|---------|----------------|-----|----|--------------------|----------------------|
| | L | W | H | | |
| CH-125M | 125 | 100 | 50 | 2 x 350 W | 58 |
| CH-150M | 150 | 100 | 50 | 2 x 350 W | 75 |
| CH-200M | 200 | 100 | 50 | 2 x 350 W | 82 |

