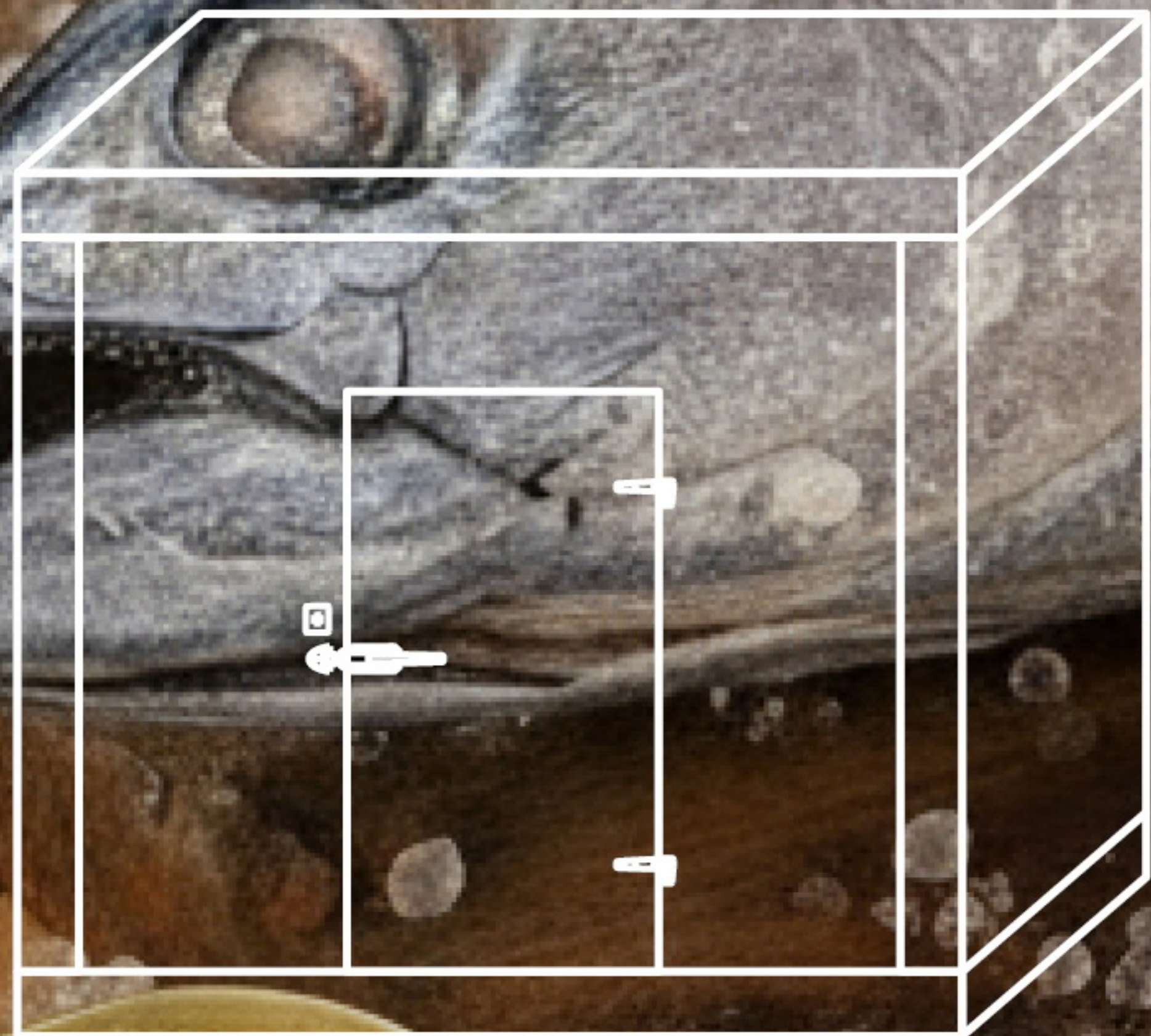




**GEA**<sup>®</sup>

One Stop Supply Commercial  
Refrigeration & Medical  
Refrigeration



# Coldroom

Product Catalogue

# Split Coldroom

Tersedia 4 macam ukuran standard Coldroom, pemasangan sangat mudah & hemat biaya pemasangan. Mesin (Condensing Unit) biasanya diletakan di luar ruangan supaya ruangan tidak terlalu panas.

Aplikasi : Minimarket, Toko Daging, Toko Buah, Hotel, Restaurant, Laboratorium, Rumah Sakit, Distributor Ikan, dll



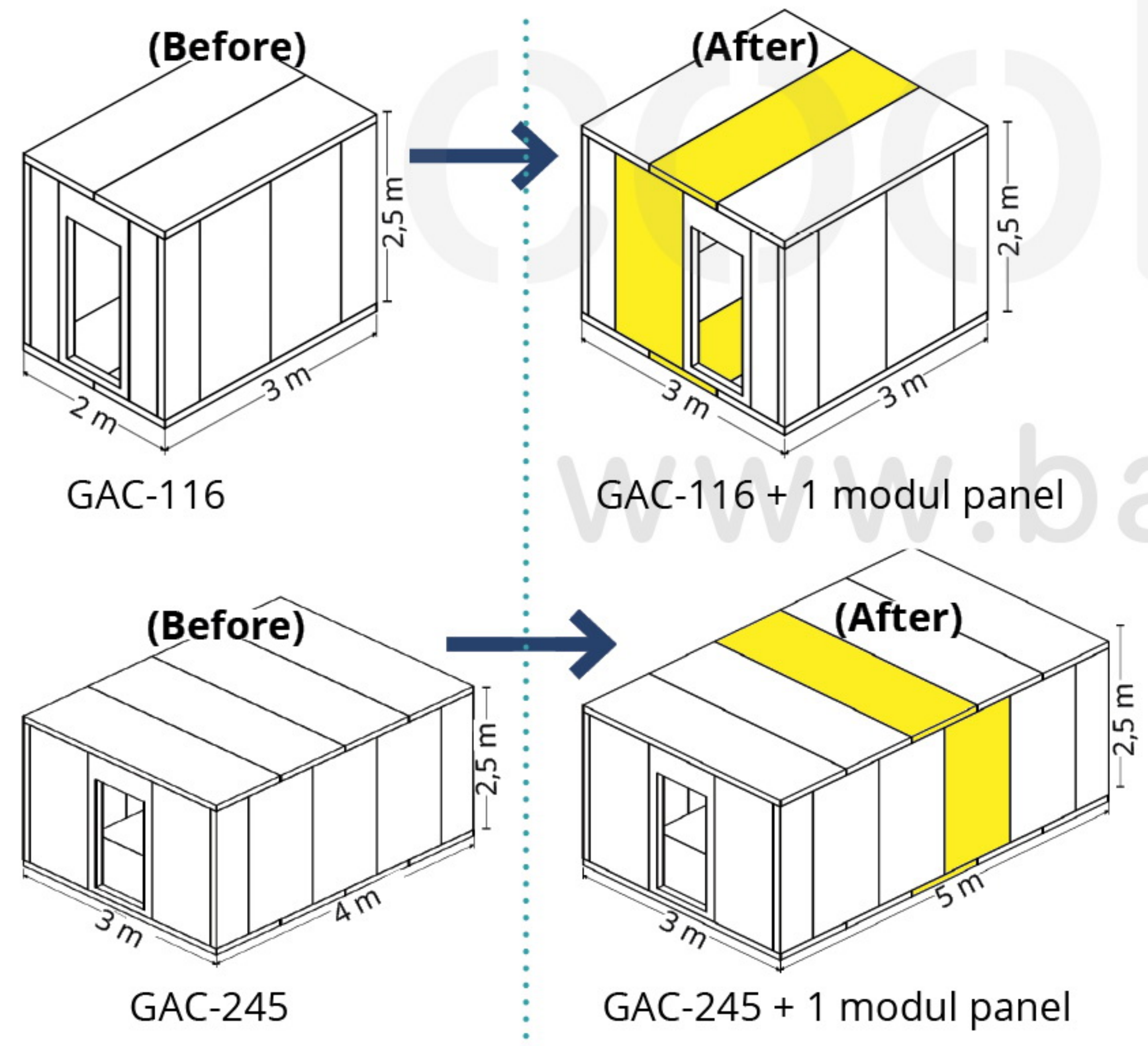
### Panel Features

- Panel Thickness Polyurethane 10 cm
- Density 40-42 kg/m<sup>3</sup>
- Inner/outer material: Hot dipped galvanis colorbond 0,45 mm
- Door equipped with lock + safety handle (Door opening : 75 x 180 cm)
- Knock-Down system with Camlock
- Strip Curtain included

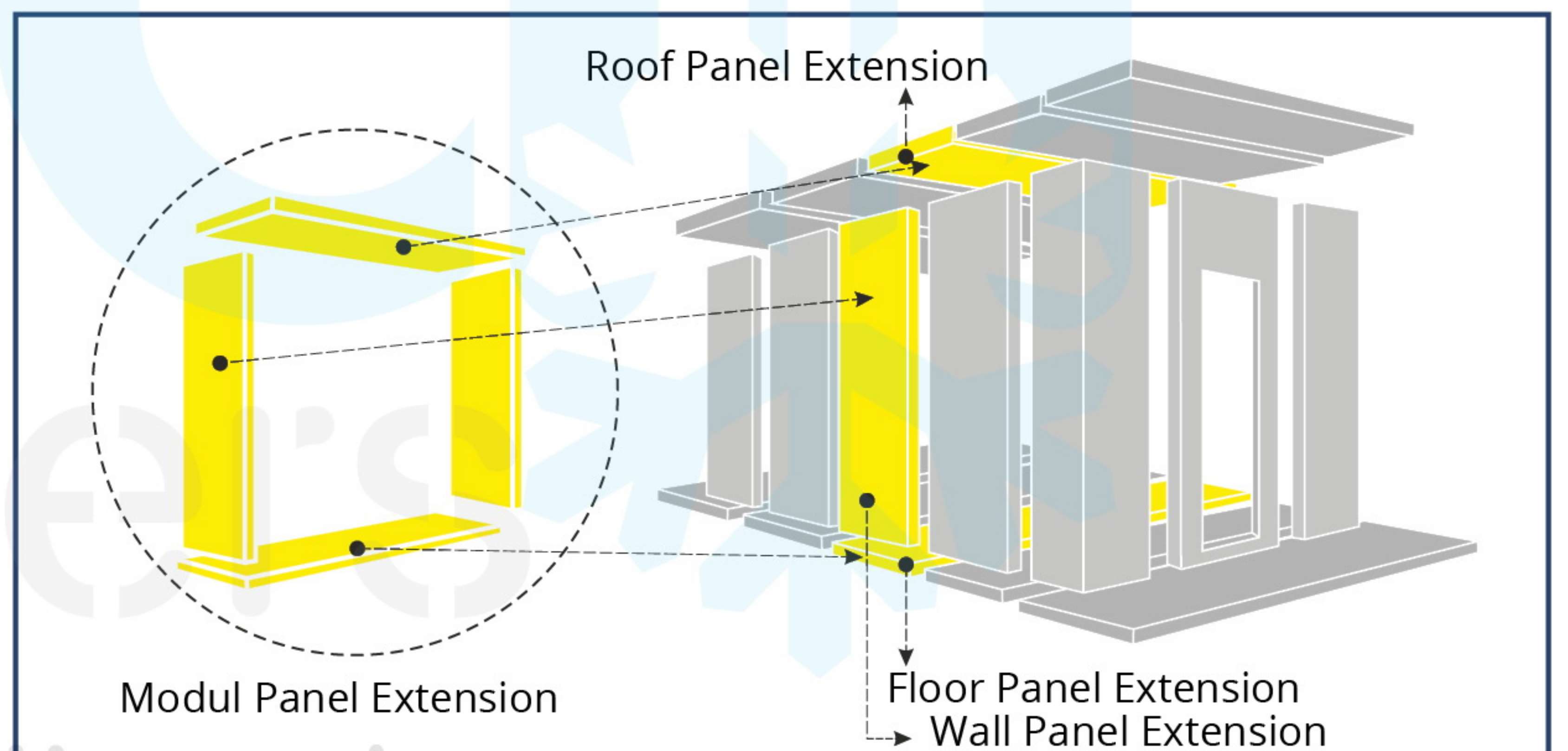
### Unit Features

- Refrigerant R-404A
- Compressor Scroll (Low Noise)
- Temperature Controller module with wire remote controller Dixell
- H-L Pressure Switch
- Receiver
- Evaporator with TXV and Orifice Equipped

### Contoh Aplikasi Cold Room dengan Panel Extension



Untuk pembelian 1 (satu) set split coldroom lengkap (panel + sistem pendingin), Gratis 1 set lampu LED 18Wx2 (Chiller/Freezer), Strip Curtain, dan Pressure Relief Valve/PRV (khusus freezer)



Dari ukuran standard panel coldroom dapat ditambah panjang dengan modul panel extension (Misal : GAC-245 ukuran 4x3x2,5 meter, setelah ditambah 1 buah modul panel extension menjadi ukuran 5x3x2,5 meter).

1 set terdiri dari : 1 panel lantai, 1 panel atap, 2 panel dinding

Aplikasi Modul Panel Extension serta Rekomendasi Type CDU dan Evaporator

Size LxWxH (m)	3 x 3 x 2,5	5 x 3 x 2,5	6 x 3 x 2,5
Panel + Modul	GAC-116 + 1 Modul	GAC-245 + 1 Modul	GAC-245 + 2 Modul
Volume (m <sup>3</sup> )	22,5	37,5	45
Chiller (+2~+8°C)	CDU type	LUHP-025BD2Z	LUHP-040BS1
	Evap type	DL20	DL40
Freezer (-10~-20°C)	CDU type	LUHP-030BS2Z	LUHP-050BS1
	Evap type	DJ20	DJ46

APPLI. FOR	TEMP. (°C)	CAPACITY		CDU TYPE	COMPRESSOR		EVAPORATOR TYPE	TOTAL POWER INPUT (Watt)
		V (m <sup>3</sup> )	Storage (kg)		Brand	HP		
<b>GAC-75</b> Dimension: L 200 x W 200 x H 250 cm								
CHILLED	+2 ~ +8°		1.500	LUHP-010BD2Z	Highly	1	DEC-7.5	1500 (220V)
FROZEN	-20°	7,5	2.600	LUHP-015BD2Z	Highly	1,5	DEF-10	2000 (220V)
HALF FROZEN	-20°		1.500	LUHP-025BD2Z	Highly	2,5	DJ15	3600 (220V)
<b>GAC-116</b> Dimension: L 300 x W 200 x H 250 cm								
CHILLED	+2 ~ +8°		2.600	LUHP-015BD2Z	Highly	1,5	DEC-10	2000 (220V)
FROZEN	-20°	11,6	4.500	LUHP-025BD2Z	Highly	2,5	DJ15	3600 (220V)
HALF FROZEN	-20°		2.600	LUHP-030BS2Z	Highly	3	DJ20	4500 (380V)
<b>GAC-245</b> Dimension: L 400 x W 300 x H 250 cm								
CHILLED	+2 ~ +8°		5.600	LUHP-025BD2Z	Highly	2,5	DL20	2000 (220V)
FROZEN	-20°	24,5	6.400	LUHP-030BS2Z	Highly	3	DJ20	4500 (380V)
HALF FROZEN	-20°		5.600	LUHP-040BS1	Panasonic	4	DJ30	4500 (380V)

\*) Installation Fee 15% untuk jarak instalasi standard 10 m, kelebihan jarak instalasi untuk unit 1 ~ 2,5 HP dikenakan biaya tambahan. Kelebihan jarak instalasi ditentukan pada saat survey di lokasi.

\*) Harga belum termasuk Braket

# Split Coldroom

Tersedia 4 macam ukuran standard Coldroom, pemasangan sangat mudah & hemat biaya pemasangan. Mesin (Condensing Unit) biasanya diletakan di luar ruangan supaya ruangan tidak terlalu panas.

Aplikasi : Minimarket, Toko Daging, Toko Buah, Hotel, Restaurant, Laboratorium, Rumah Sakit, Distributor Ikan, dll



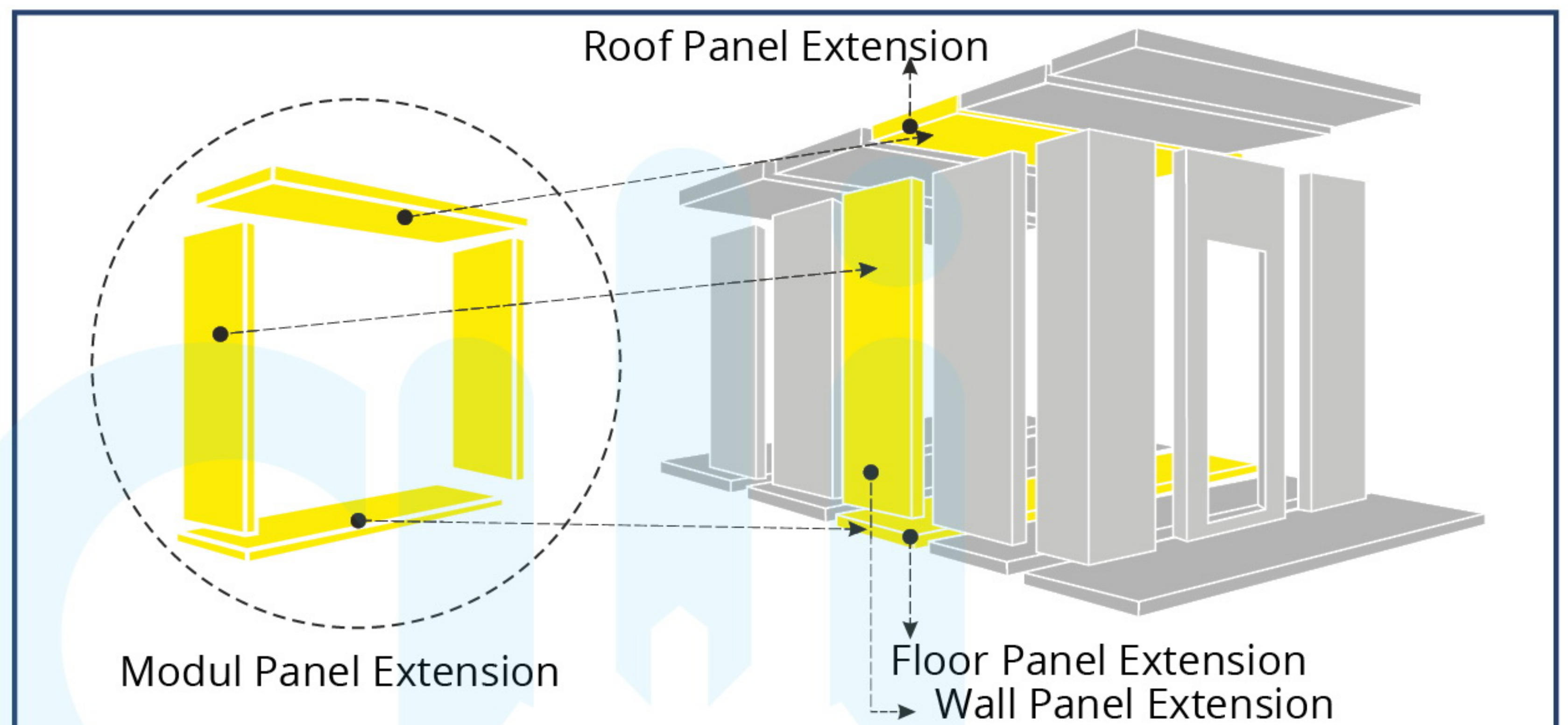
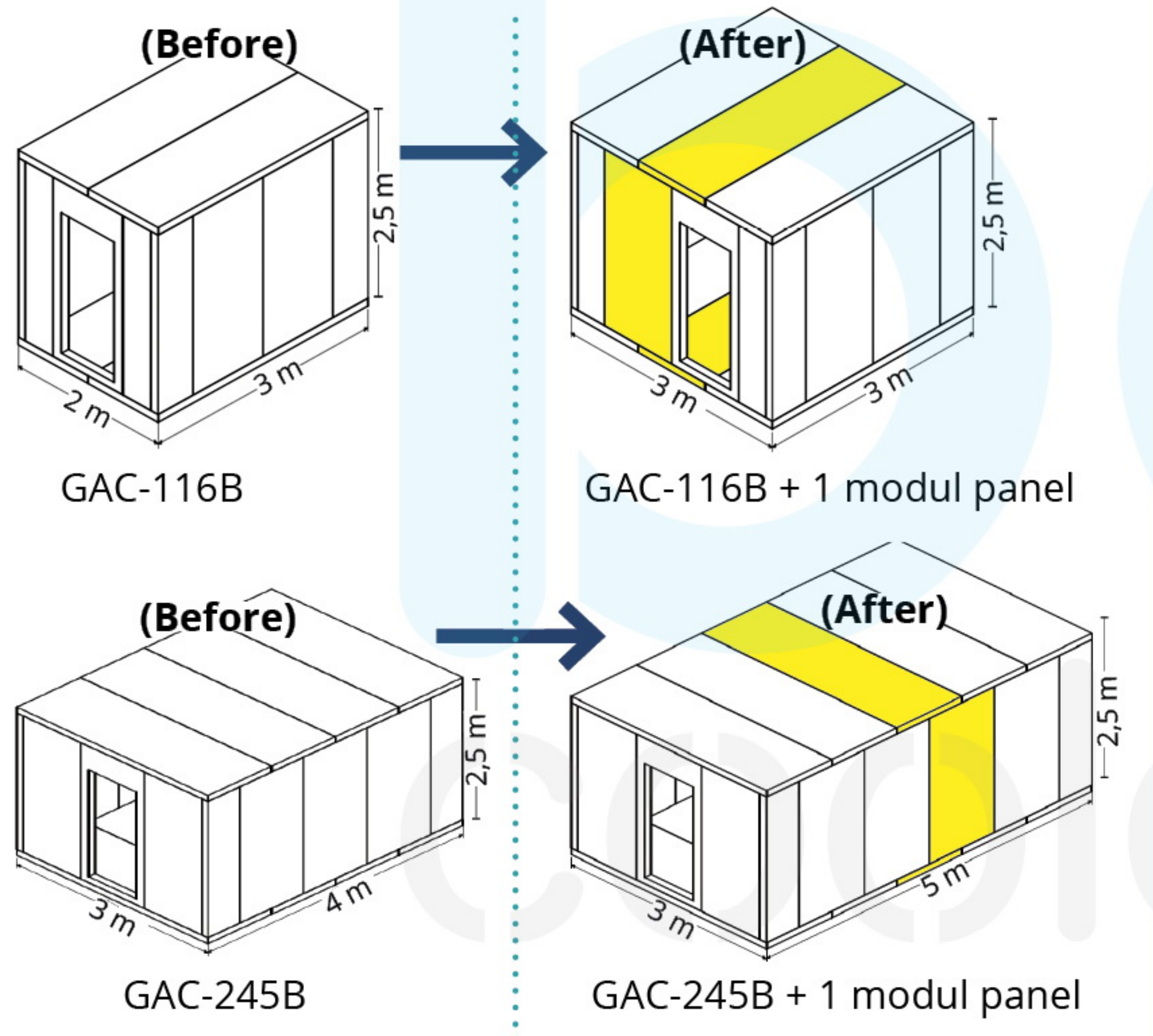
### Panel Features

- Panel Thickness Polyurethane 10 cm
- Density 42~45 kg/m<sup>3</sup>
- Inner/outer material: Hot dipped galvanis colorbond 0,45 mm
- Door equipped with lock + safety handle (Door opening : 75 x 180 cm)
- Plastic door handle, engsel pintu: Lift Off Hinge
- Knock-Down system with Camlock
- Strip Curtain included

### Unit Features

- Refrigerant R-404A
- Compressor Scroll (Low Noise)
- Temperature Controller module with wire remote controller Dixell
- H-L Pressure Switch
- Receiver
- Evaporator with TXV and Orifice Equipped

### Contoh Aplikasi Cold Room dengan Panel Extension



Dari ukuran standard panel coldroom dapat ditambah panjang dengan modul panel extension (Misal : GAC-245B ukuran 4x3x2,5 meter, setelah ditambah 1 buah modul panel extension menjadi ukuran 5x3x2,5 meter).

1 set terdiri dari : 1 panel lantai, 1 panel atap, 2 panel dinding

### Aplikasi Modul Panel Extension serta Rekomendasi Type CDU dan Evaporator

Size LxWxH (m)		3 x 3 x 2,5	5 x 3 x 2,5	6 x 3 x 2,5
Panel + Modul		GAC-116B + 1 Modul	GAC-245B + 1 Modul	GAC-245B + 2 Modul
Volume (m <sup>3</sup> )		22,5	37,5	45
Chiller (+2~+8°C)	CDU type	LUHP-025BD2Z	LUHP-040BS1	LUHP-040BS1
	Evap type	DL20	DL40	DL40
Freezer (-10~-20°C)	CDU type	LUHP-030BS2Z	LUHP-050BS1	LUHP-060BS1
	Evap type	DJ20	DJ40	DJ46

Untuk pembelian 1 (satu) set split coldroom lengkap (panel + sistem pendingin), Gratis 1 set lampu LED 18Wx2 (Chiller/Freezer), Strip Curtain, dan Pressure Relief Valve/PRV (khusus freezer)

APPLI. FOR	TEMP. (°C)	CAPACITY		CDU TYPE	COMPRESSOR		EVAPORATOR TYPE	TOTAL POWER INPUT (Watt)
		V (m <sup>3</sup> )	Storage (kg)		Brand	HP		
<b>GAC-75B</b> Dimension: L 200 x W 200 x H 250 cm								
CHILLED	+2 ~ +8°	1.500		LUHP-010BD2Z	Highly	1	DEC-7.5	1500 (220V)
FROZEN	-20°	7,5	2.600	LUHP-015BD2Z	Highly	1,5	DEF-10	2000 (220V)
HALF FROZEN	-20°		1.500	LUHP-025BD2Z	Highly	2,5	DJ15	3600 (220V)
<b>GAC-116B</b> Dimension: L 300 x W 200 x H 250 cm								
CHILLED	+2 ~ +8°	2.600		LUHP-015BD2Z	Highly	1,5	DEC-10	2000 (220V)
FROZEN	-20°	11,6	4.500	LUHP-025BD2Z	Highly	2,5	DJ15	3600 (220V)
HALF FROZEN	-20°		2.600	LUHP-030BS2Z	Highly	3	DJ20	4500 (380V)
<b>GAC-245B</b> Dimension: L 400 x W 300 x H 250 cm								
CHILLED	+2 ~ +8°	5.600		LUHP-025BD2Z	Highly	2,5	DL20	2000 (220V)
FROZEN	-20°	24,5	6.400	LUHP-030BS2Z	Highly	3	DJ20	4500 (380V)
HALF FROZEN	-20°		5.600	LUHP-040BS1	Panasonic	4	DJ30	4500 (380V)

\*) Installation Fee 15% untuk jarak instalasi standard 10 m, kelebihan jarak instalasi untuk unit 1 ~ 2,5 HP dikenakan biaya tambahan. Kelebihan jarak instalasi ditentukan pada saat survey di lokasi.

\*) Harga belum termasuk Braket

# Split Commercial Refrigeration



For Cold Room



### Features

- Refrigerant R-404A
- Compressor Rotary (Low Noise)
- Slim Outdoor unit
- Temperature Controller module with wire remote controller Dixell
- H-L Pressure Switch
- Receiver
- Evaporator with TXV and Orifice Equipped
- Automatic defrost



Room Temp	Coldroom Volume (m³)	Unit	Type	Compressor			Power Input (Watt)	Volt.	Dimension (CM)			Weight (Kg)	Pipe Size Con	
				Brand	HP	Cap. (Watt)			L	W	H		Liquid	Suction
Chiller Room Temp (+2~+8°C), ET (-10°C)	10	CDU	LUHP-010BD2Z	Highly	1	1623	665	220V	86,5	36	70	42	Ø1/4"	Ø3/8"
		Evap	DEC-7.5	-	-	1890	1500		105,5	39	15	14,5	Ø3/8"	Ø5/8"
	13	CDU	LUHP-015BD2Z	Highly	1,5	2048	1025	220V	86,5	36	70	45	Ø3/8"	Ø1/2"
		Evap	DEC-10	-	-	2355	2000		136,5	39	15	19	Ø3/8"	Ø5/8"
	30	CDU	LUHP-025BD2Z	Highly	2,5	3889	1929	220V	86,5	40,5	74,5	56	Ø3/8"	Ø1/2"
		Evap	DL20	-	-	4000	1800		114,5	36	46,5	27	Ø3/8"	Ø5/8"
	35	CDU	LUHP-030BS2Z	Highly	3	5455	2584	380V	95	40,5	86,5	73	Ø3/8"	Ø5/8"
		Evap	DL25	-	-	5600	2400		159	43	48	36	Ø3/8"	Ø1"
	55	CDU	LUHP-040BS1	Panasonic	4	8375	3375	380V	95	40,5	86,5	73	Ø3/8"	Ø5/8"
		Evap	DL40	-	-	8800	3900		153	50	56,5	42	Ø3/8"	Ø1"
	60	CDU	LUHP-060BS1	Panasonic	6	10500	4456	380V	95	40,5	125	112	Ø1/2"	Ø3/4"
		Evap	DL55 (DL59)	-	-	11200	3900		153	50	56,5	47	Ø5/8"	Ø1"
102	CDU	LUHP-080BS1	Panasonic	8	15740	6410	380V	108	48	133	156	Ø5/8"	Ø7/8"	
	Evap	DL80	-	-	16200	3900		183	56	67	92	Ø5/8"	Ø1-3/8"	
135	CDU	LUHP-100BS1	Panasonic	10	21280	7800	380V	122	51	156,5	206	Ø3/4"	Ø1-1/8"	
	Evap	DL105	-	-	21300	3900		183	56	67	97	Ø5/8"	Ø1-3/8"	
Freezer Room Temp (-10~-20°C), ET (-30°C)	10	CDU	LUHP-015BD2Z	Highly	1,5	1161	993	220V	86,5	36	70	45	Ø3/8"	Ø1/2"
		Evap	DEF-10	-	-	1350	2000		136,5	39	15	19	Ø3/8"	Ø5/8"
	25	CDU	LUHP-025BD2Z	Highly	2,5	1539	1639	220V	86,5	40,5	74,5	56	Ø3/8"	Ø1/2"
		Evap	DJ15	-	-	2100	3600		119,5	50	62,2	36	Ø3/8"	Ø1"
	30	CDU	LUHP-030BS2Z	Highly	3	2160	2132	380V	95	40,5	86,5	73	Ø3/8"	Ø5/8"
		Evap	DJ20	-	-	3600	4500		119,5	50	62,2	36	Ø3/8"	Ø1"
	40	CDU	LUHP-040BS1	Panasonic	4	3840	2890	380V	95	40,5	86,5	73	Ø3/8"	Ø5/8"
		Evap	DJ30	-	-	4600	4500		153	50	56,5	47	Ø3/8"	Ø1"
	50	CDU	LUHP-050BS1	Panasonic	5	4805	3849	380V	95	40,5	125	85	Ø1/2"	Ø3/4"
		Evap	DJ40	-	-	7100	7800		183	56	67	92	Ø3/8"	Ø1-3/8"
	60	CDU	LUHP-060BS1	Panasonic	6	5200	4166	380V	95	40,5	125	112	Ø1/2"	Ø3/4"
		Evap	DJ40 (DJ46)	-	-	7100	7800		183	56	67	92	Ø5/8"	Ø1-3/8"
80	CDU	LUHP-080BS1	Panasonic	8	7400	5610	380V	108	48	133	156	Ø5/8"	Ø7/8"	
	Evap	DJ55	-	-	8900	9000		183	56	67	97	Ø5/8"	Ø1-3/8"	
100	CDU	LUHP-100BS1	Panasonic	10	9330	6880	380V	122	51	156,5	206	Ø3/4"	Ø1-1/8"	
	Evap	DJ70	-	-	11600	11400		231	56	67	135	Ø5/8"	Ø1-3/8"	

\*) Installation Fee 15% untuk jarak instalasi standard 10 m, kelebihan jarak instalasi untuk unit 1 ~ 2,5 HP dikenakan biaya tambahan. Kelebihan jarak instalasi ditentukan pada saat survey di lokasi.

\*) Harga belum termasuk Braket

# Modular Coldroom & Refrigeration Unit



- Panel (10 cm)
- Pintu swing (lengkap dengan safety handle)
- Door opening : 75 x 180 cm
- Door opening : 90 x 200 cm

- Plastic Curtain
- 90 x 200 cm

- Weather proof lamp TL
- LED 2x18 W
- Pressure relief valve
- PU Slab 10 cm
- Bordes 2,5 mm
- Window glass 30x40
- Slings for cold room >6M

### Sliding Door

- Door opening 75 x 180 cm
- Door opening 90 x 200 cm

### Control Panel Cold Room

- Panel Cold Room:  
- Chiller - Freezer



### Features

- Oil Separator
- Accumulator
- H-Low Pressure Switch
- Control Panel
- Receiver



Tecumseh



Bitzer



Emerson



## Refrigeration Unit untuk Coldroom Chiller (+2~+8°C) Volume up to 300 M<sup>3</sup>

COLD ROOM VOLUME (m <sup>3</sup> )	CONDENSING UNIT + CONTROL PANEL				EVAPORATOR TYPE
	Type	Q (Watt)	HP	Volt	
311 ~ 370	4NES-14Y	24200	14	380	DD24/503A
371 ~ 440	4JE-15Y	28300	15	380	DD38/504A
441 ~ 520	4HE-18Y	33200	18	380	DD38/504A

Installation Fee: 17,5% (Chiller) from price list

## Condensing Unit for Refrigeration System (Supermarket cabinet, coldroom, dll)

BRAND	CAPACITY (Watt)	TYPE	POWER (Watt)	COMPRESSOR	HP	VOLTAGE	REFRIGERANT
<b>CONDENSING UNIT CHILLER (ET -10 ° C)</b>							
GEA	5.000	GXN-3C0-F2D	2.510	Copeland	3	380/3P/50Hz	R-404a
	15.000	CU-150	7.500	Copeland	10	380/3P/50Hz	R-22
	18.000	CU-180	8.000	Copeland	12	380/3P/50Hz	R-22
Tecumseh	4.900	TAG-4546T	3.900	Tecumseh	4	380/3P/50Hz	R-22
Emerson	3.360	ZX020BE-TFD	2.020	Copeland	2	380/3P/50Hz	R-404a
	4.850	ZX030BE-TFD	2.800	Copeland	3	380/3P/50Hz	R-404a
	6.570	ZX040BE-TFD	3.710	Copeland	4	380/3P/50Hz	R-404a
	8.670	ZX050BE-TFD	4.790	Copeland	5	380/3P/50Hz	R-404a
	9.830	ZX060BE-TFD	5.250	Copeland	6	380/3P/50Hz	R-404a
	12.060	ZX076BE-TFD	5.820	Copeland	7,6	380/3P/50Hz	R-404a
<b>CONDENSING UNIT FREEZER (ET -30 ° C)</b>							
Tecumseh	1.860	TFH-2480Z	1.431	Tecumseh	2	380/3P/50Hz	R-404a
	2.516	TFH 2511Z	2.105	Tecumseh	2 3/4	380/3P/50Hz	R-404a
	3.100	TAG-2516Z	2.500	Tecumseh	4	380/3P/50Hz	R-404a
Emerson	1.930	ZXL020BE-TFD	1.900	Copeland	2	380/3P/50Hz	R-404a
	3.750	ZXL035BE-TFD	3.220	Copeland	3,5	380/3P/50Hz	R-404a
	4.370	ZXL040BE-TFD	3.910	Copeland	4	380/3P/50Hz	R-404a
	4.980	ZXL050BE-TFD	5.080	Copeland	5	380/3P/50Hz	R-404a
	6.800	ZXL075BE-TFD	5.580	Copeland	7,5	380/3P/50Hz	R-404a

\*) Installation Fee: 17,5% for chiller, 20% for freezer from price list

# Air Blast Freezer Coldroom



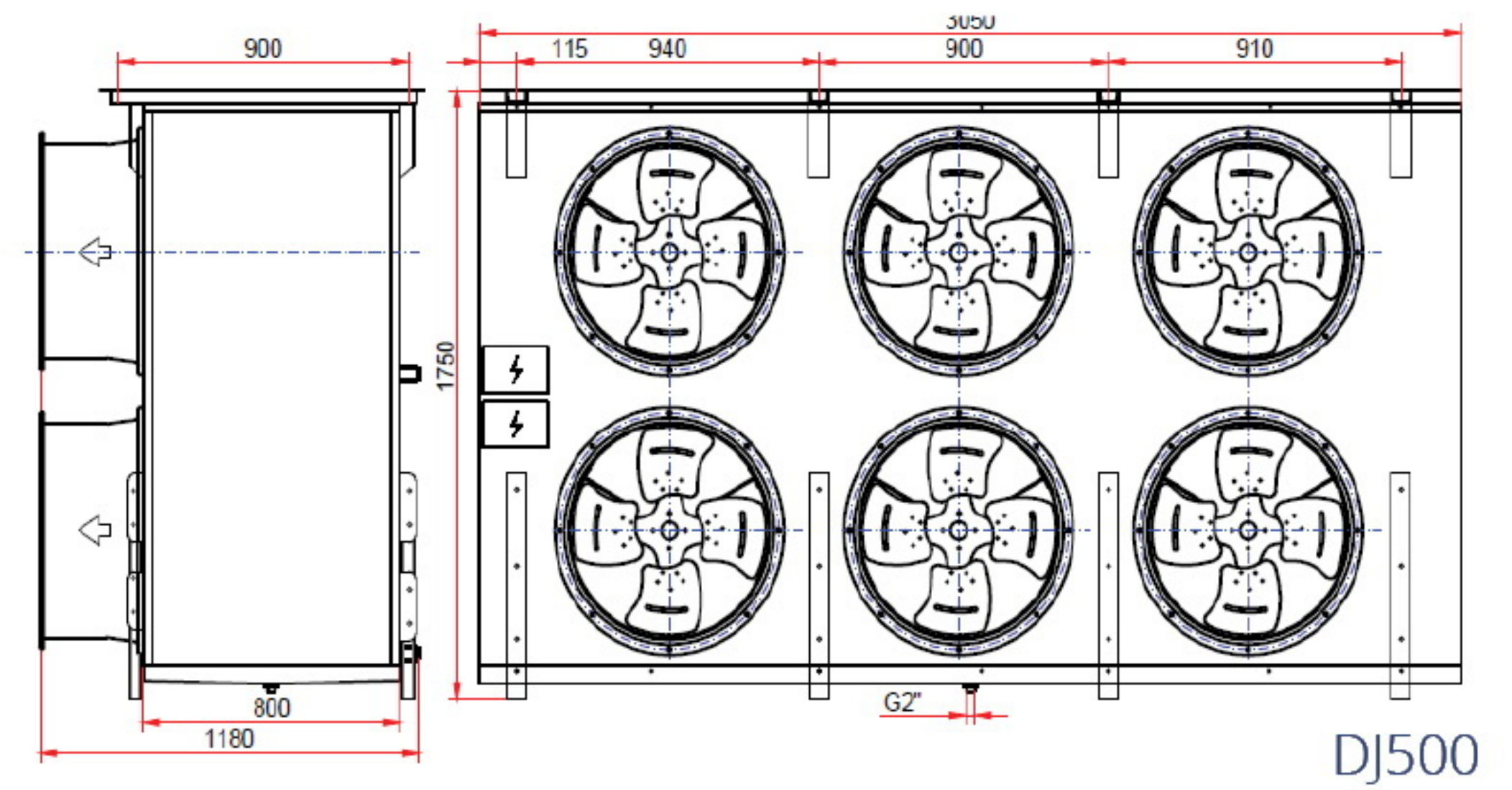
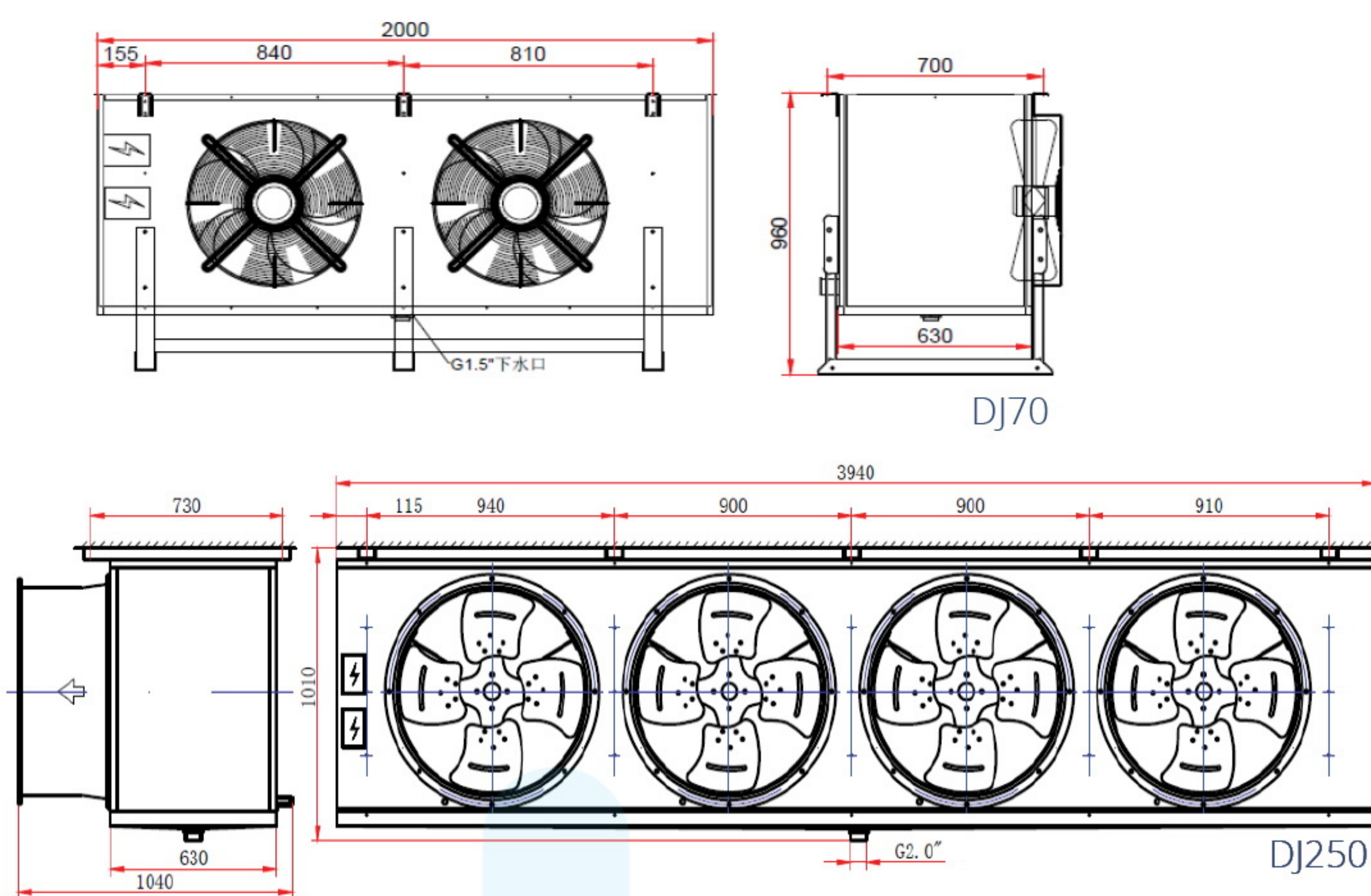
Coldroom yang diaplikasikan untuk membekukan produk dengan waktu tertentu sesuai temperatur produk ketika masuk.

Aplikasi : Membekukan Ikan, Daging (beef), Chicken, dan bahan Lain  
 Temperatur produk bagian tengah mencapai -15 hingga -18°C,  
 Blast Freezing Room Temperature -35 to -40°C



### Unit Features

- PU Panel 150mm with double layer 0.45mm colorbond galvanish; density 40-42kg/M<sup>3</sup>;
- Cold storage door: with lock + safety handle, electric heating wire, with PVC soft curtain;
- Air-cooled condensers
- Electric defrost Evaporator
- Danfoss expansion valve
- Voltage 3 phase (380V/50Hz)
- Max distance evap to machine: 15m



STORAGE CAPACITY	FREON QUANTITY (Kg)
1 Ton	15 (R404)
2,5 Ton	50 (R404)
5 Ton	50 (R507)

STORAGE CAPACITY	ROOM SIZE(cm)			DOOR SIZE (cm)	TOTAL POWER INPUT (KW) 380V/3P/50Hz	COMPRESSOR (Hanbell)	CDU/EVAP TYPE	REFRIG	MAX DIST. EVAP to MACHINE	FREEZING (*) CYCLE TIME (Base on Initial Product Temp. +25 ~ +27°C)
	L	W	H							
1 Ton	300	300	300	80x180	9,7	Semi hermetic Bitzer S4N-8.2Y	LB-N10BBFD / DJ70	R404		
2,5 Ton	700	300	300	80x180	31,9	Semi hermetic Bitzer S6F-30.2Y	LB-N40BBFD / DJ250	R404	15 m	6 hours / cycle
5 Ton	700	650	300	75x180 (2pcs)	79,3	Screw compressor Hanbell LT-S-45/20	LB-CDU-LT-S-45/20 / DJ-500	R507		

\*) Installation Fee : 15% from price list

\*) Syarat dan ketentuan :

Suhu produk saat dimasukan harus dalam kondisi sudah cukup dingin (range temp. : +25 ~ +27°C)

# Walk In Display Cooler/Freezer



## Remote Condensing Unit

Kabinet yang berfungsi ganda disamping sebagai tempat pemajangan minuman dingin / produk makanan beku, juga berfungsi sebagai tempat penyimpanan/ gudang pada convenience store.



TWQ-3G6H

### Cold room features

- PU thickness 100 mm with camlock system
- 180x70 swing door
- Interior light 1 set
- Plastic curtain for cold room & shelves separated
- Temperature: Chiller: +3~+8°C | Freezer: -10 ~ -20°C
- Refrigerant: R404a
- Price tag

### Glass door features

- 2 layers tempered glass with heating
- 7 layer shelving
- Frame heater
- Long handle door
- LED light
- Automatic closing door

TYPE	DIMENSION (cm)			door (pcs)	DISPLAY AREA	CDU UNIT		EVAP TYPE	POWER (380V)
	L	W	H			TYPE	HP		
<b>A. COOLER</b>									
TWQ-3G6H	239,5	225	230	3	4,16 m <sup>2</sup>	LUHP-015BD2Z	1,5	DEC-10	2000W
TWQ-4G6H	312	225	230	4	5,54 m <sup>2</sup>	LUHP-025BD2Z	2,5	DL20	2000W
TWQ-5G6H	385	225	230	5	6,9 m <sup>2</sup>	LUHP-030BS2Z	2,5	DL25	2000W
<b>B. FREEZER</b>									
TWQ-3G6L	239,5	225	230	3	4,16 m <sup>2</sup>	LUHP-030BS2Z	3	DJ20	5000W
TWQ-4G6L	312	225	230	4	5,54 m <sup>2</sup>	LUHP-040BS1	4	DJ30	5000W
TWQ-5G6L	385	225	230	5	6,9 m <sup>2</sup>	LUHP-050BS1	5	DJ40	8000W

\*) Installation Fee: 15% from price list



